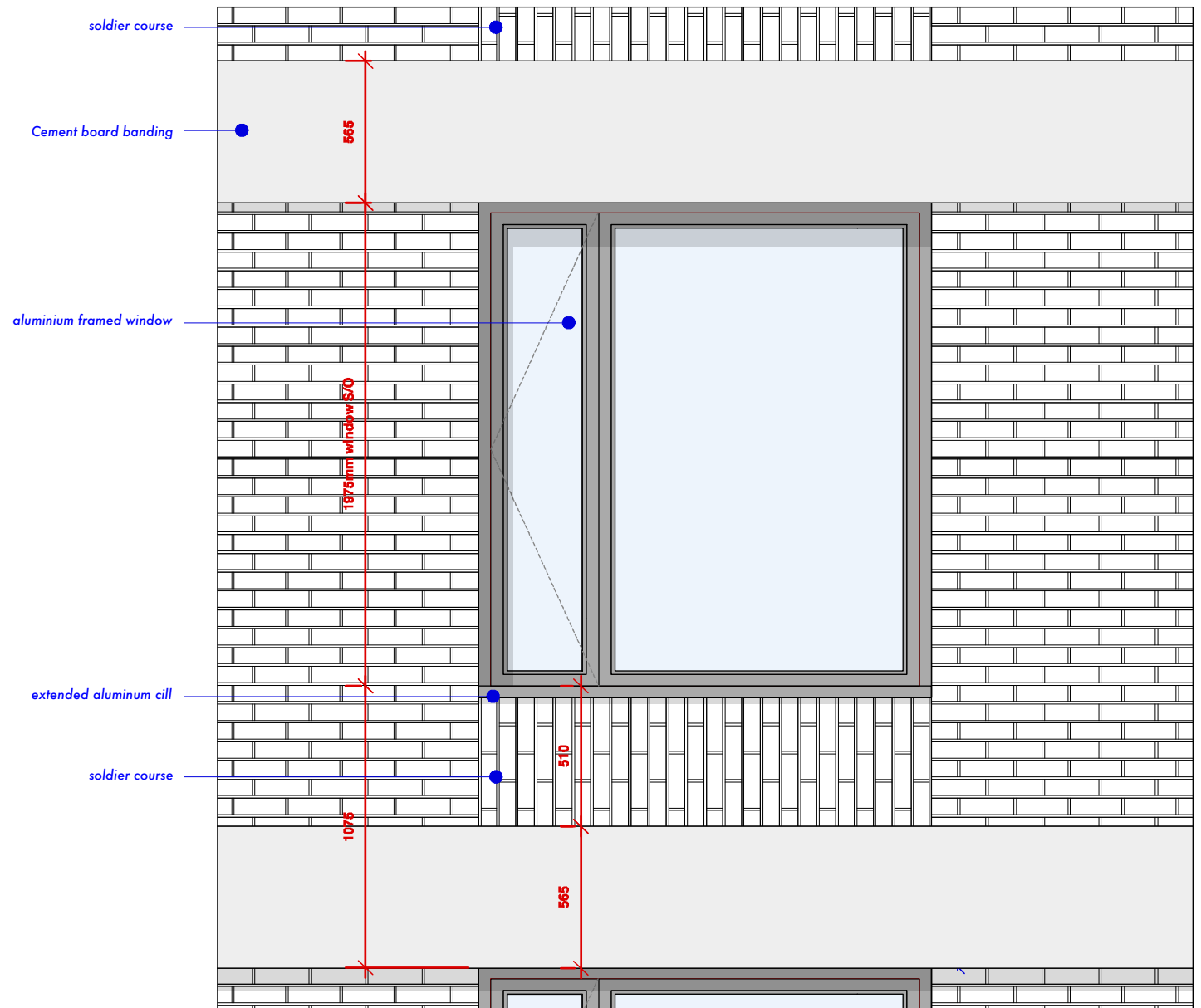


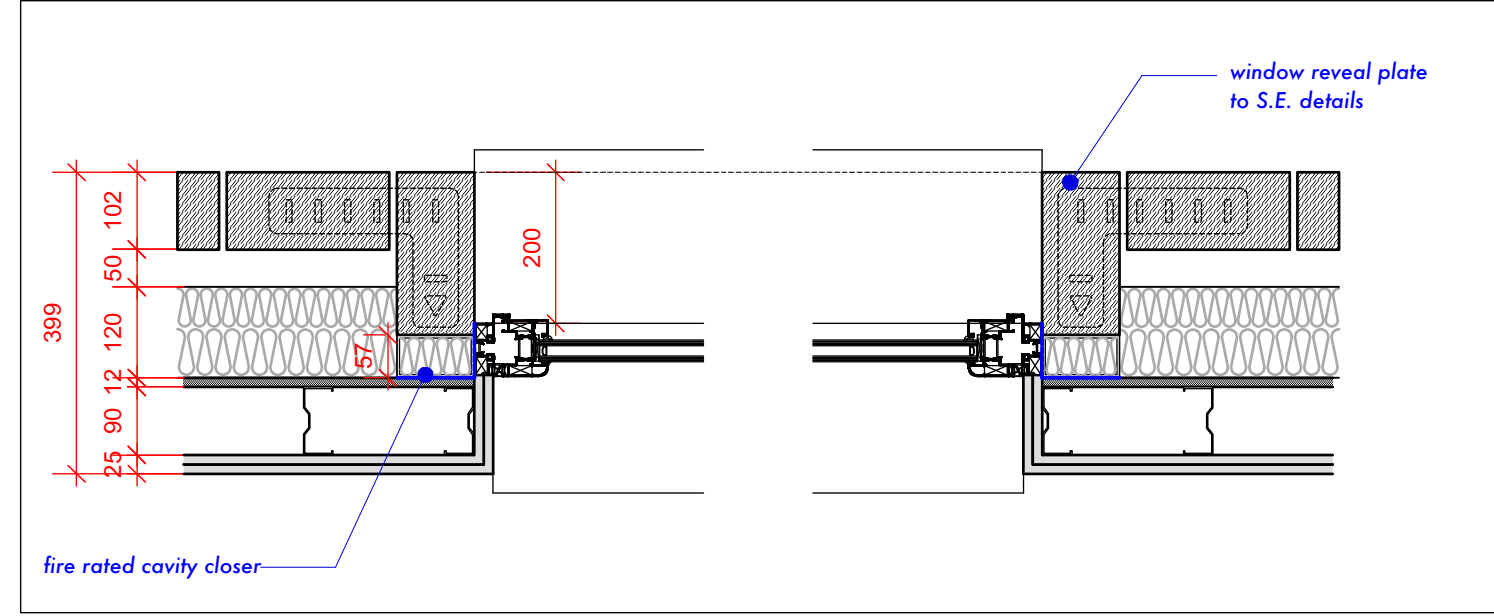
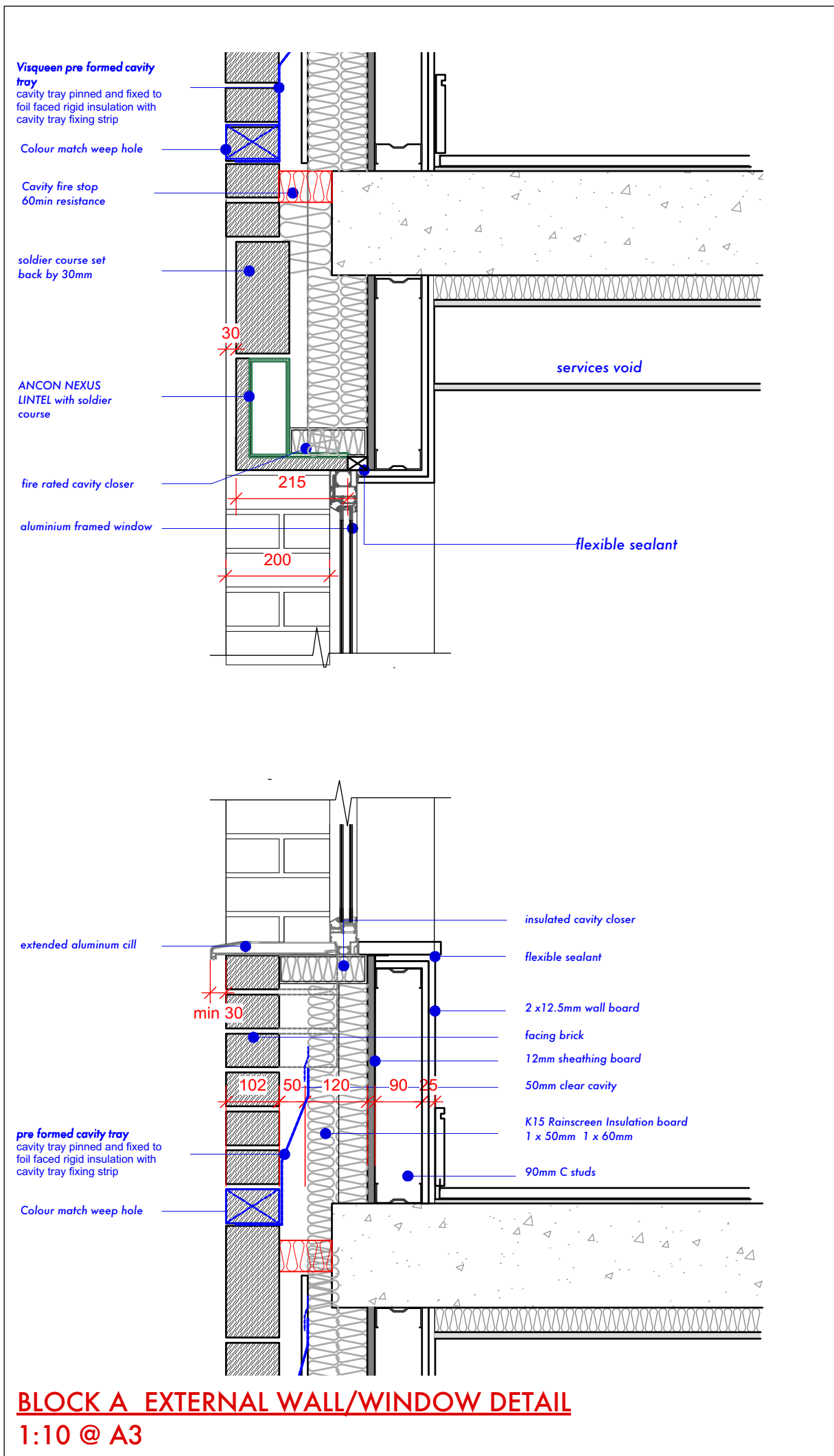
**TYPICAL WINDOW JAMB / REVEAL DETAIL**  
1:10 @ A3



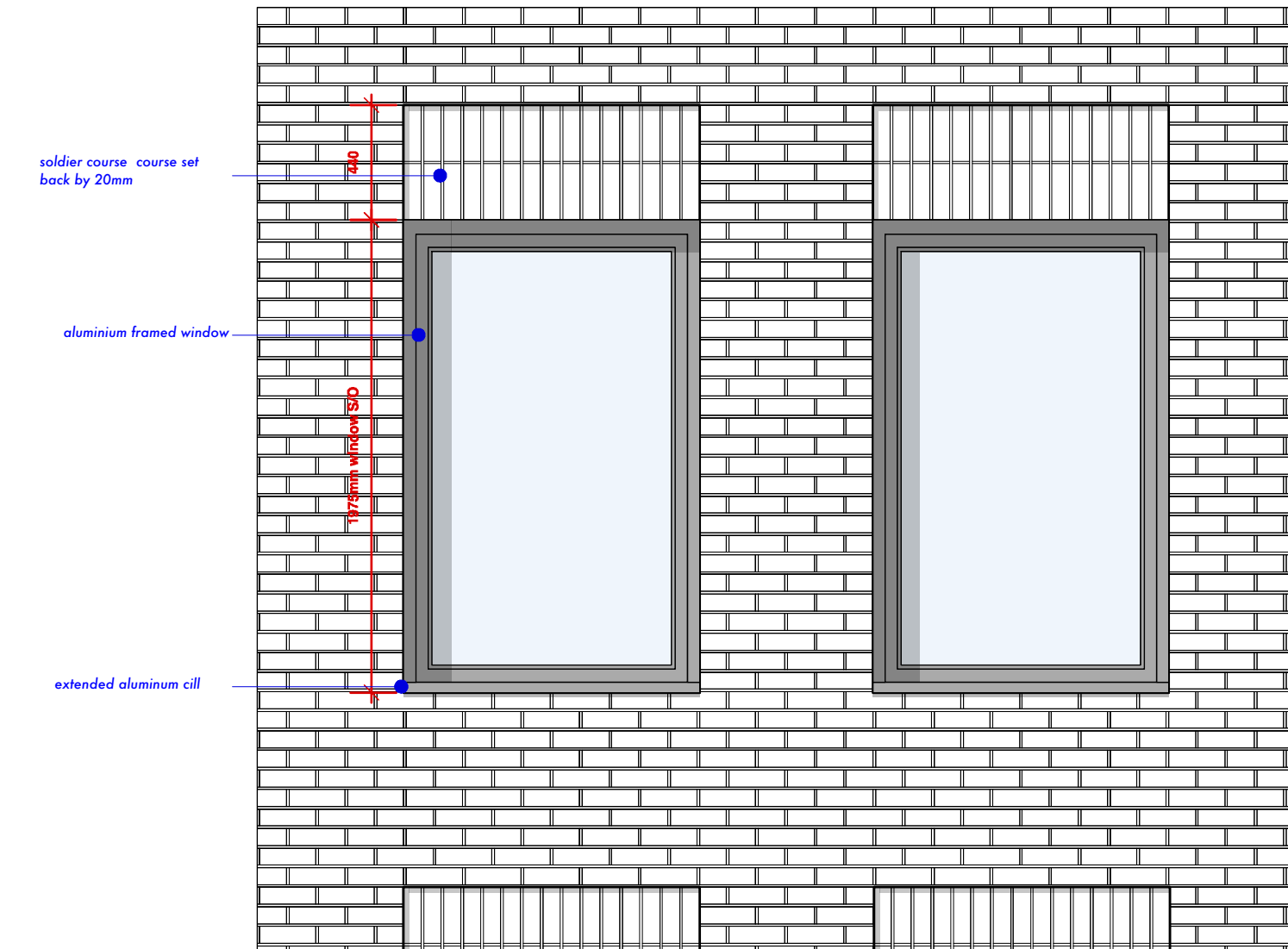
**PARTIAL FRONT ELEVATION - BLOCK B**  
1:25 @ A3

**SKETCH FOR COMMENT ONLY**

DO NOT SCALE THIS DRAWING WRITTEN DIMENSIONS ONLY TO BE USED ALL DIMENSIONS ARE IN MILLIMETRES ANY INCONSISTENCIES TO BE REPORTED TO THE ARCHITECT IMMEDIATELY		Job No 7234 <b>CONSTRUCTION</b> 246 248 KILBURN HIGH RD LONDON NW6 2BS	<b>p-ad</b> 192D Compton Hill Road, Notting Hill Gate, London, W8 7TH t: 0208 4590172 e: hello@p-ad.co.uk	<b>p-ad</b>
title BB	DETAIL SECTION / ELEVATION BLOCK B	scale 1:10 @ A3	number 7234	rev D15



**TYPICAL WINDOW JAMB / REVEAL DETAIL**  
1:10 @ A3



**PARTIAL FRONT ELEVATION - BLOCK A**  
1:25 @ A3

**SKETCH FOR COMMENT ONLY**

DO NOT SCALE THIS DRAWING WRITTEN DIMENSIONS ONLY TO BE USED ALL DIMENSIONS ARE IN MILLIMETRES ALL DIMENSIONS TO BE VERIFIED ON SITE ANY INCONSISTENCIES TO BE REPORTED TO THE ARCHITECT IMMEDIATELY	Job No <b>7234</b>	<b>p-ad</b> 192D Compton Hill Road, Notting Hill Gate, London, W8 7TH t: 0208 4590172 e: hello@p-ad.co.uk	<b>p-ad</b>
	<b>CONSTRUCTION</b>		
246 248 KILBURN HIGH RD LONDON NW6 2BS	title DETAIL SECTION / ELEVATION BLOCK A	number 7234	rev D16
drawn by BB	scale AS NOTED @ A3		