

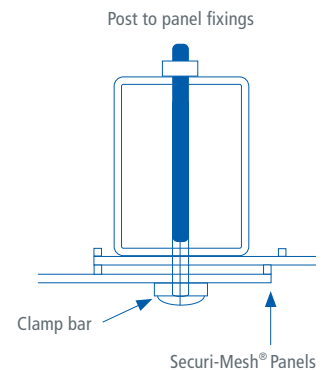
# SECURI-MESH®

**Jacksons**  
Guaranteed Quality since 1947



Securi-Mesh® fencing system provides an ideal solution for a wide variety of high security perimeter and access control applications. Both the mesh and posts are designed to meet Home Office specifications for use in utilities sites, high risk locations and secure compounds.

- Posts can be customised for Barbed wire / Razor wire / Rota Spike® / Alarm-aFence®
- Overlapped by a minimum of 75mm at posts to maintain integrity of protection
- Clamp bar fixings
- Mesh spacing conforms to building regulations for anti-trap
- Anti-climb design
- Can be stepped to accommodate sloping ground
- Custom designs available
- **25-year service life guarantee**



## APPLICATIONS

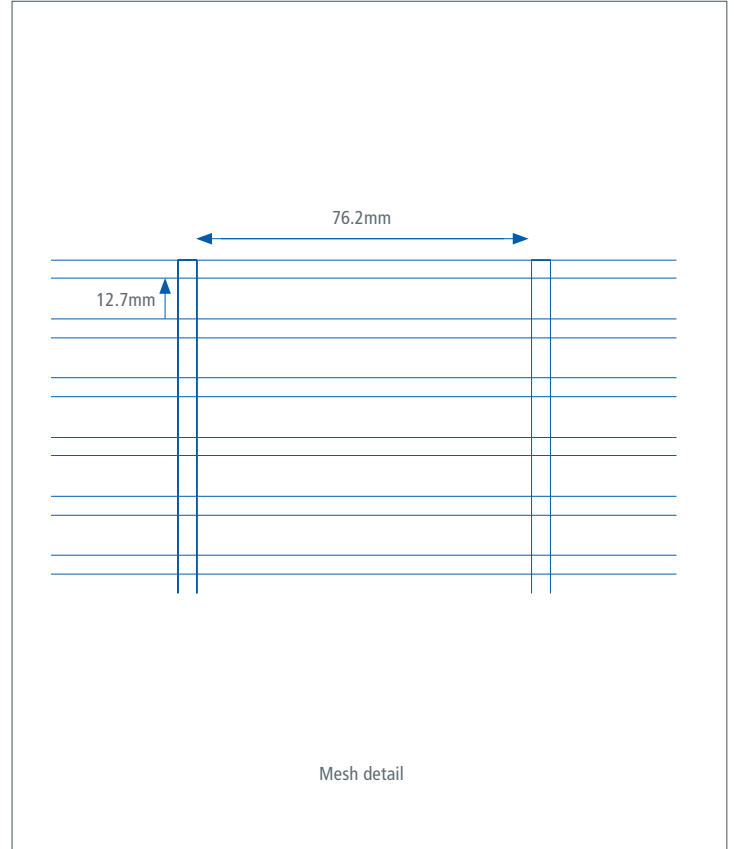
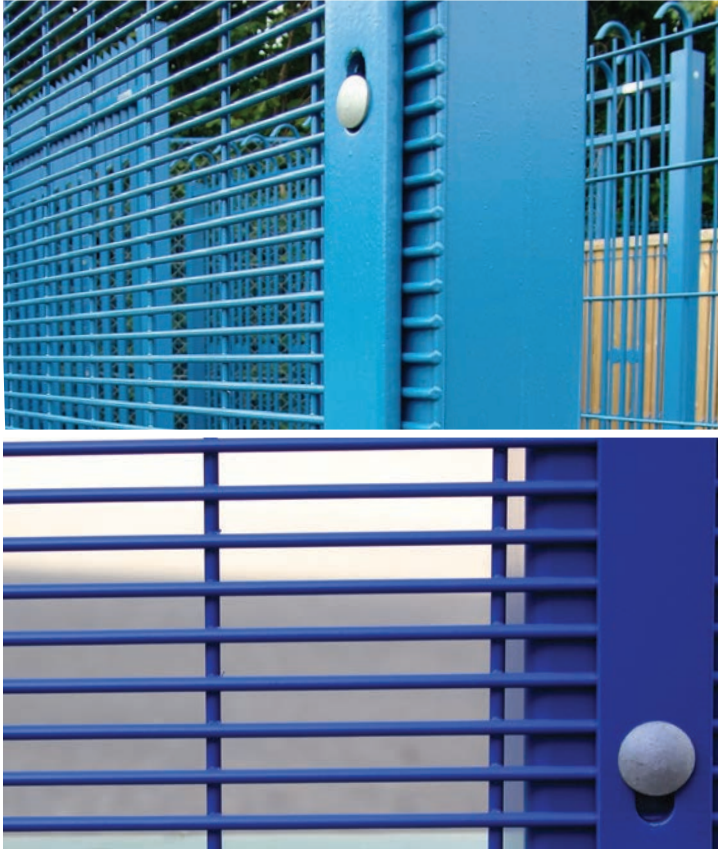
- ✓ Utilities
- ✓ High risk
- ✓ Secure compounds

## PANELS

Securi-Mesh® panels are constructed from 76.2 x 12.7mm mesh (3" x 1/2") with 4mm wire. Panel widths are 2515mm as standard, with height up to 5200mm.

## GATES

Matching gates available



HEIGHT (MM)	POST CENTRES (MM)	POST DIMENSIONS (MM)	OVERALL POST LENGTH (MM)
1270	2440	80 x 60	1900
2134	2440	80 x 60	2900
2440	2440	80 x 60	3300
3000	2440	80 x 60	3800
4200	2440	120 x 120 square	5100
5210	2440	150 x 150 square	6200

### POST OPTIONS

- Overlength set in concrete as standard
- Baseplated to bolt down onto concrete
- Cranked to suit wall mounting

### FINISHES

- Panels are Galvan<sup>®</sup> zinc alloy coated as standard
- Powder coated to BS EN 13438
- Marine coat for installations within 500m of salt water or an estuary

### STANDARD COLOURS

- Black RAL 9005
- Green RAL 6005
- Other colours are available on request