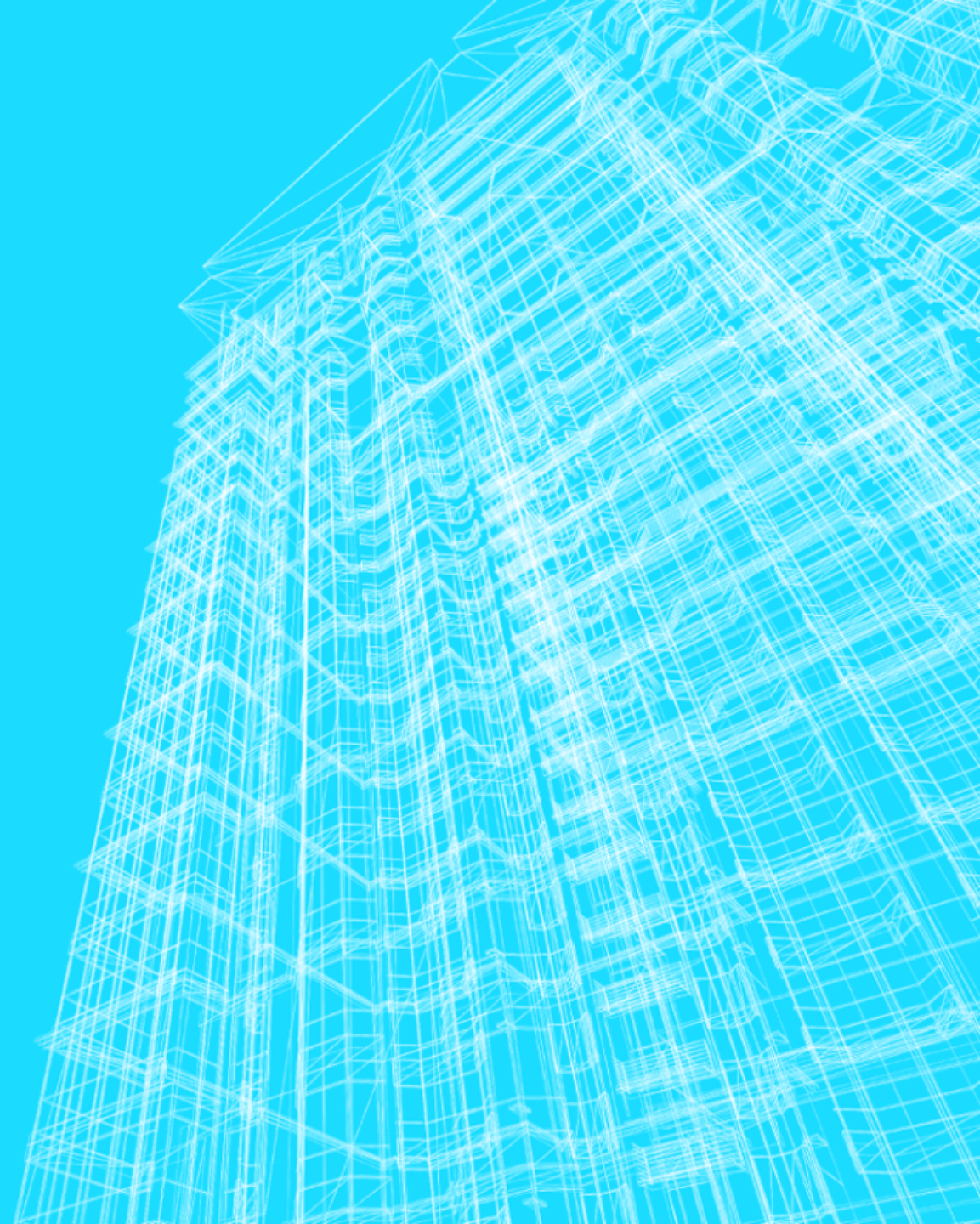


# EXMOUTH ARMS

TOWN PLANNING

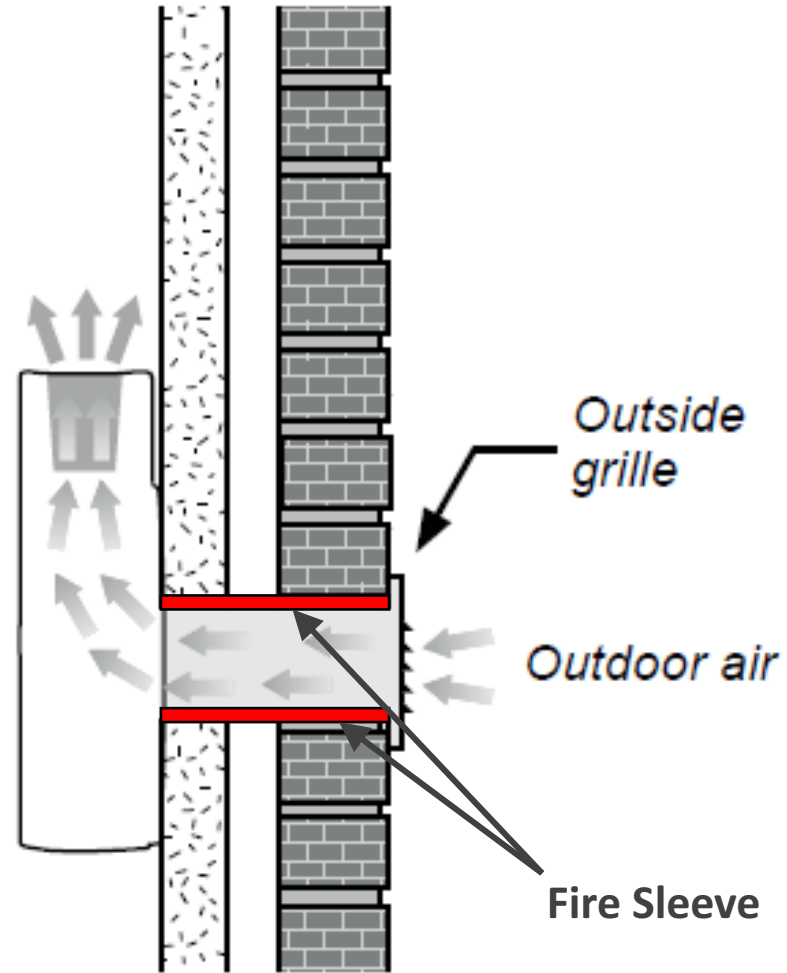


# LOCATION PLAN



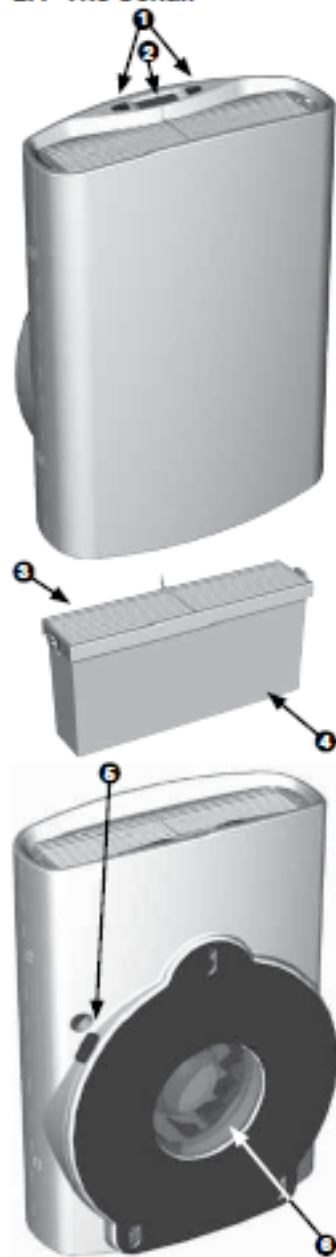


# INSTALLATION - SECTION DETAIL



**Sonair F+**

## 2.1 The Sonair



### ❶ *Operating buttons*

The two operating buttons allow you to set the ventilation rate manually. By pushing the right button you can increase the fan speed. By pushing the left button you can decrease the fan speed and stop the motor.

### ❷ *Display*

The display shows the ventilation rate and a possible filter message indicator. See page 19 for more information about the display.

### ❸ *Outlet*

The outlet holds the filter. The filtered air is blown through the outlet into the room.

### ❹ *Filter*

The outdoor and indoor air (only Sonair A+) is cleaned by the filter before it is blown into the room. See page 23 for more information about filters and how to replace the filter.

### ❺ *Open/close/recirculation knob*

The knob allows you to adjust the ratio of outdoor and indoor air being blown through the filter and into the room (only A+) or to close off the air inlet completely (possible with the Sonair F+ & A+). See page 22 for more information about adjusting the ratio of outdoor and indoor air.

### ❻ *Air inlet*

The fan sucks outdoor air into the Sonair through this opening.



## INTERNAL FIT WALL KIT

- Ideal for high-rise applications
- Suitable for 100mm fans
- Quick & easy installation
- Extendable length
- Fits entirely from inside the property
- Reduces water ingress
- Includes low-resistance external grille
- Suitable as a passive air grille
- Covers external break-out

