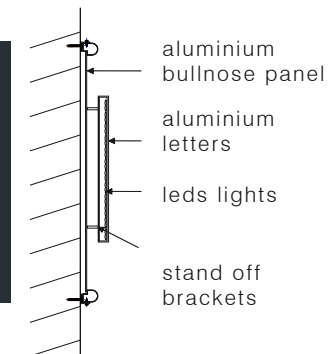


Sign A1

One aluminium fascia c/w a set of built up individual halo illuminated housename letters
 Size 5900mm x 700mm (cap height 400mm)
 G/CI 3000mm D 50mm



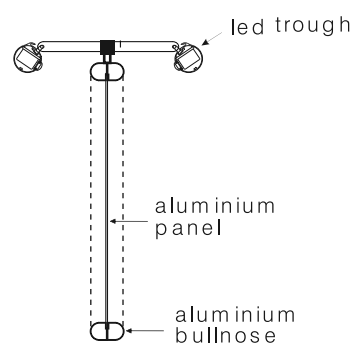
Sign A2

One aluminium fascia c/w a set of built up individual halo illuminated housename letters
 Size 7400mm x 700mm (cap height 400mm)
 G/CI 3000mm D 50mm



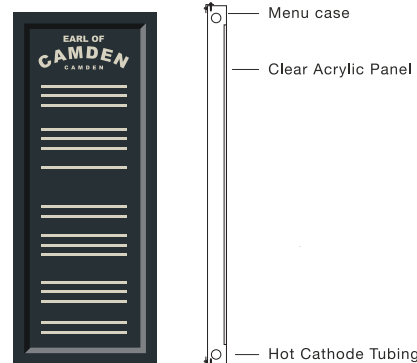
Sign B

One aluminium bullnose double sided pictorial fixed on a wall mounted gibbet illuminated by trough light
 Size 700mm x 700mm
 G/CI 3000mm D 100mm



Sign C

Three internally illuminated menu cases
 Size 900mm x 400mm
 G/CI 1000mm D 50mm



Sign D

Six wall mounted lights
 G/CI 2000mm



STAND OUT FROM THE CROWD

**PLANNING
 SITE DETAILS**

W0007050

STONEGATE PUB CO

EARL OF CAMDEN

CAMDEN

17 01 19 cc
 REV B - 05 07 19 dr

COLOURS

F&B BLUE BLACK

SIGN COLOUR/
 WINDOW FRAMES

RAL 2000

SIGN LETTERS

NB: PLEASE ALWAYS REFER TO ACTUAL PAINT REFERENCES FOR AN ACCURATE COLOUR MATCH.

THIS DOCUMENT IS THE PROPERTY OF INSIGNIA SIGNS & SERVICES LTD. WHO OWN THE COPYRIGHT THEREIN.

THE INFORMATION IN THIS DOCUMENT IS GIVEN IN CONFIDENCE AND WITHOUT THE WRITTEN PERMISSION OF INSIGNIA SIGNS & SERVICES LTD.

GIVEN BY CONTRACT OR OTHERWISE THE DOCUMENT MUST NOT BE COPIED, REPRINTED OR REPRODUCED IN ANY MATERIAL FORM EITHER WHOLLY OR IN PART NOR MUST THE CONTENTS OF THE DOCUMENT OR ANY METHOD OR TECHNIQUE AVAILABLE THERE FROM BE DISCLOSED TO ANY THIRD PARTY.





INSIGNIA
SIGNS & SERVICES

STAND OUT FROM THE CROWD

PLANNING
SITE DETAILS

W0007050

STONEGATE PUB CO

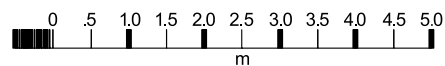
EARL OF CAMDEN

CAMDEN

17 01 19 cc
REV B - 05 07 19 dr



SCALE 1:100 @ A3



THIS DOCUMENT IS THE PROPERTY OF
INSIGNIA SIGNS & SERVICES LTD. WHO
OWN THE COPYRIGHT THEREIN.

THE INFORMATION IN THIS DOCUMENT
IS GIVEN IN CONFIDENCE AND
WITHOUT THE WRITTEN PERMISSION OF
INSIGNIA SIGNS & SERVICES LTD.

GIVEN BY CONTRACT OR OTHERWISE
THE DOCUMENT MUST NOT BE COPIED,
REPRINTED OR REPRODUCED IN ANY
MATERIAL FORM EITHER WHOLLY OR IN
PART NOR MUST THE CONTENTS OF THE
DOCUMENT OR ANY METHOD OR
TECHNIQUE AVAILABLE THERE FROM BE
DISCLOSED TO ANY THIRD PARTY.



INSIGNIA
SIGNS & SERVICES

STAND OUT FROM THE CROWD

PLANNING
SITE DETAILS

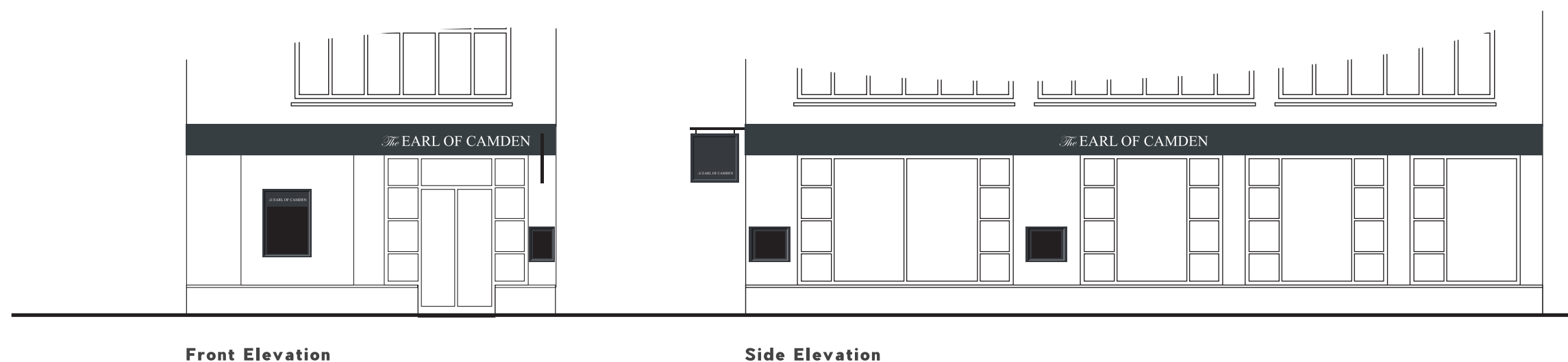
W0007050

STONEGATE PUB CO

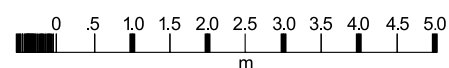
EARL OF CAMDEN

CAMDEN

17 01 19 cc
REV B - 05 07 19 dr



SCALE 1:100 @ A3



THIS DOCUMENT IS THE PROPERTY OF
INSIGNIA SIGNS & SERVICES LTD. WHO
OWN THE COPYRIGHT THEREIN.

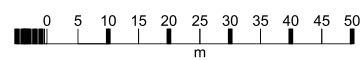
THE INFORMATION IN THIS DOCUMENT
IS GIVEN IN CONFIDENCE AND
WITHOUT THE WRITTEN PERMISSION OF
INSIGNIA SIGNS & SERVICES LTD.

GIVEN BY CONTRACT OR OTHERWISE
THE DOCUMENT MUST NOT BE COPIED,
REPRINTED OR REPRODUCED IN ANY
MATERIAL FORM EITHER WHOLLY OR IN
PART NOR MUST THE CONTENTS OF THE
DOCUMENT OR ANY METHOD OR
TECHNIQUE AVAILABLE THERE FROM BE
DISCLOSED TO ANY THIRD PARTY.

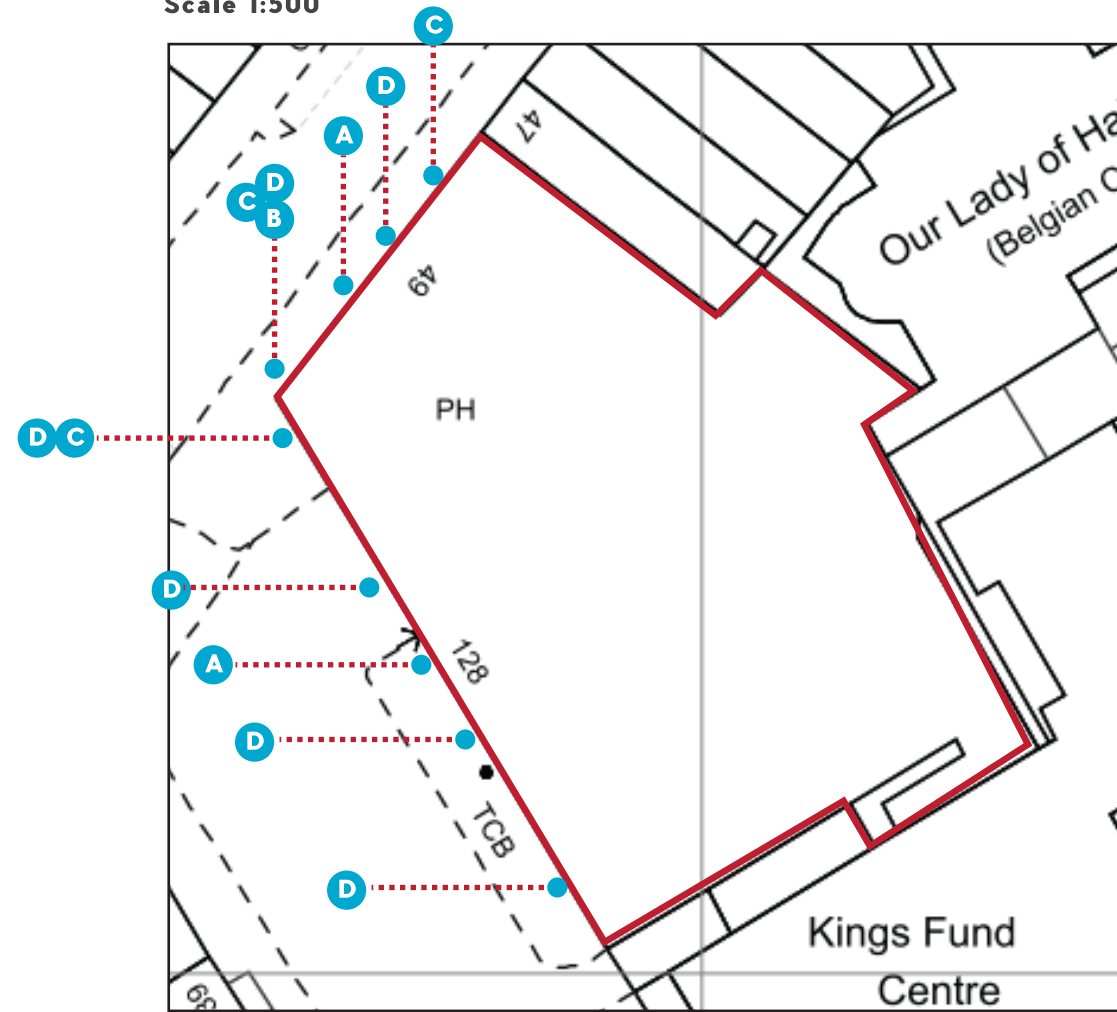
Scale 1:1250



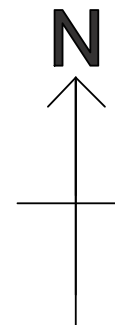
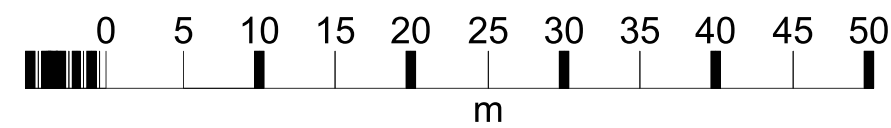
SCALE 1:1250 @ A3



Scale 1:500



SCALE 1:500 @ A3



INSIGNIA
SIGNS & SERVICES

STAND OUT FROM THE CROWD

PLANNING
SITE DETAILS

W0007050

STONEGATE PUB CO

EARL OF CAMDEN

CAMDEN

17 01 19 cc
REV B - 05 07 19 dr

THIS DOCUMENT IS THE PROPERTY OF INSIGNIA SIGNS & SERVICES LTD. WHO OWN THE COPYRIGHT THEREIN.

THE INFORMATION IN THIS DOCUMENT IS GIVEN IN CONFIDENCE AND WITHOUT THE WRITTEN PERMISSION OF INSIGNIA SIGNS & SERVICES LTD.

GIVEN BY CONTRACT OR OTHERWISE THE DOCUMENT MUST NOT BE COPIED, REPRINTED OR REPRODUCED IN ANY MATERIAL FORM EITHER WHOLLY OR IN PART NOR MUST THE CONTENTS OF THE DOCUMENT OR ANY METHOD OR TECHNIQUE AVAILABLE THERE FROM BE DISCLOSED TO ANY THIRD PARTY.