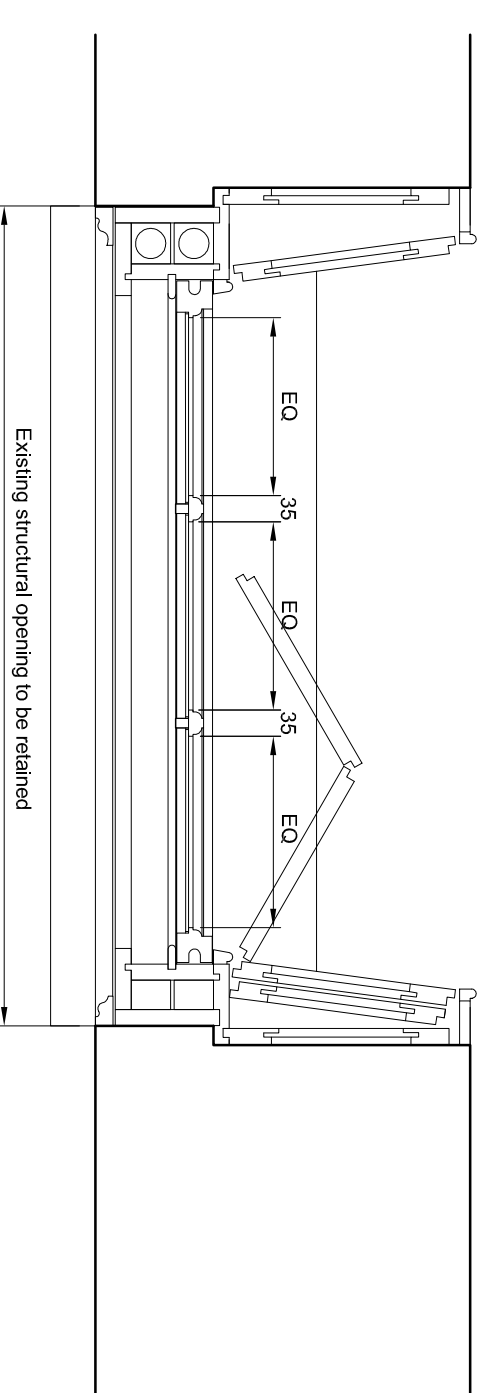
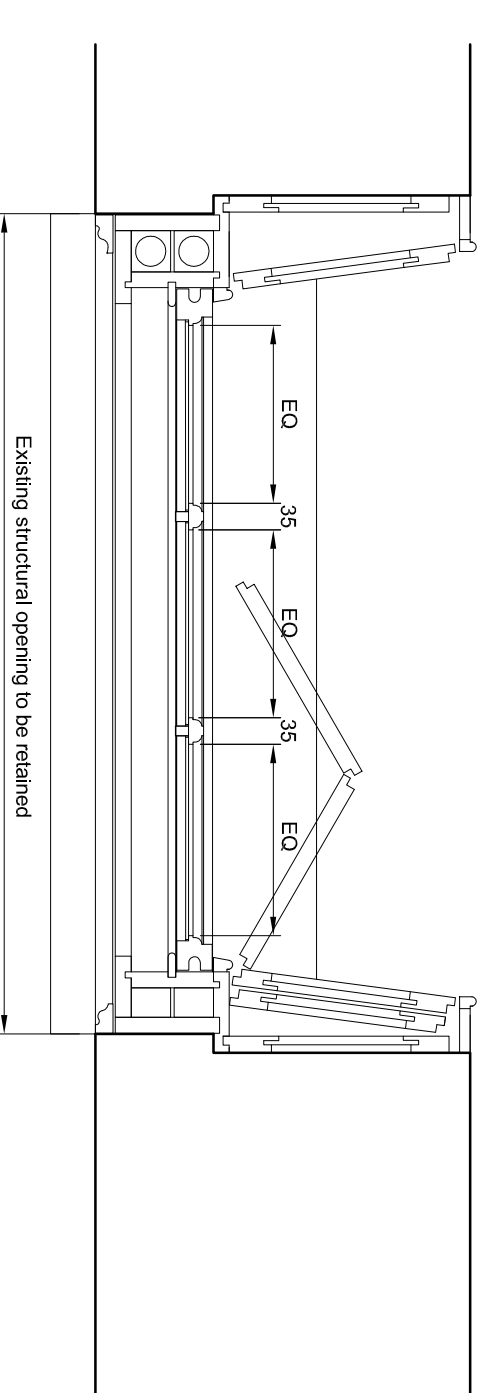


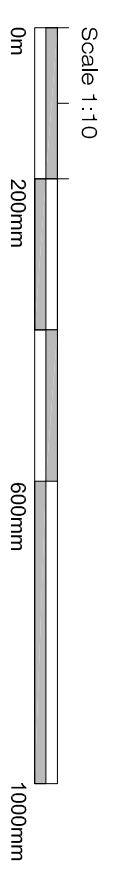
Window Type A
FW01, FW02, FW03
Scale 1:10



Window Type B
FW04, FW05, FW06
These windows to be glazed with 8mm thick laminated acoustic glass
Scale 1:10



Window Type C
FW07, FW08, FW09
Scale 1:10



Proposed Alterations to 34 Great James Street, Bloomsbury, London, WC1N 3HB

Client: Mr R Crowley

Project: 34 Great James Street

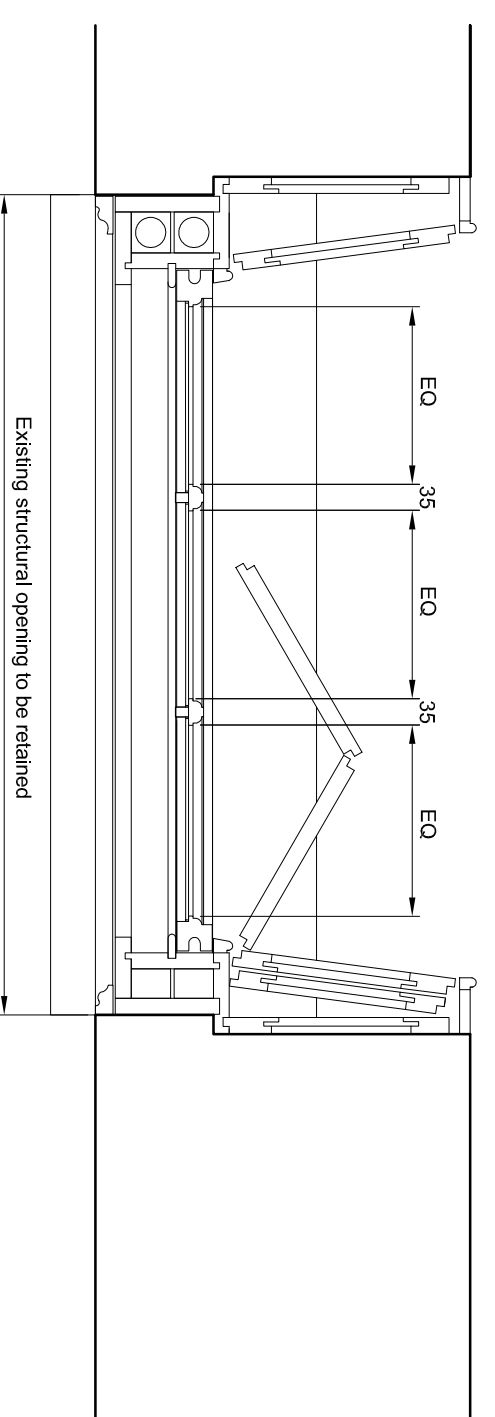
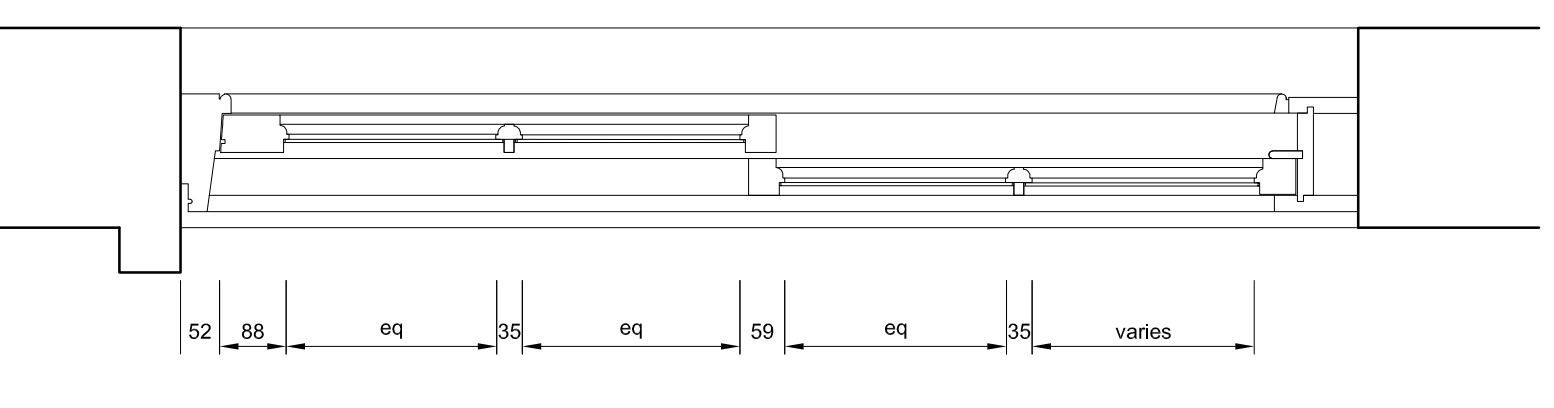
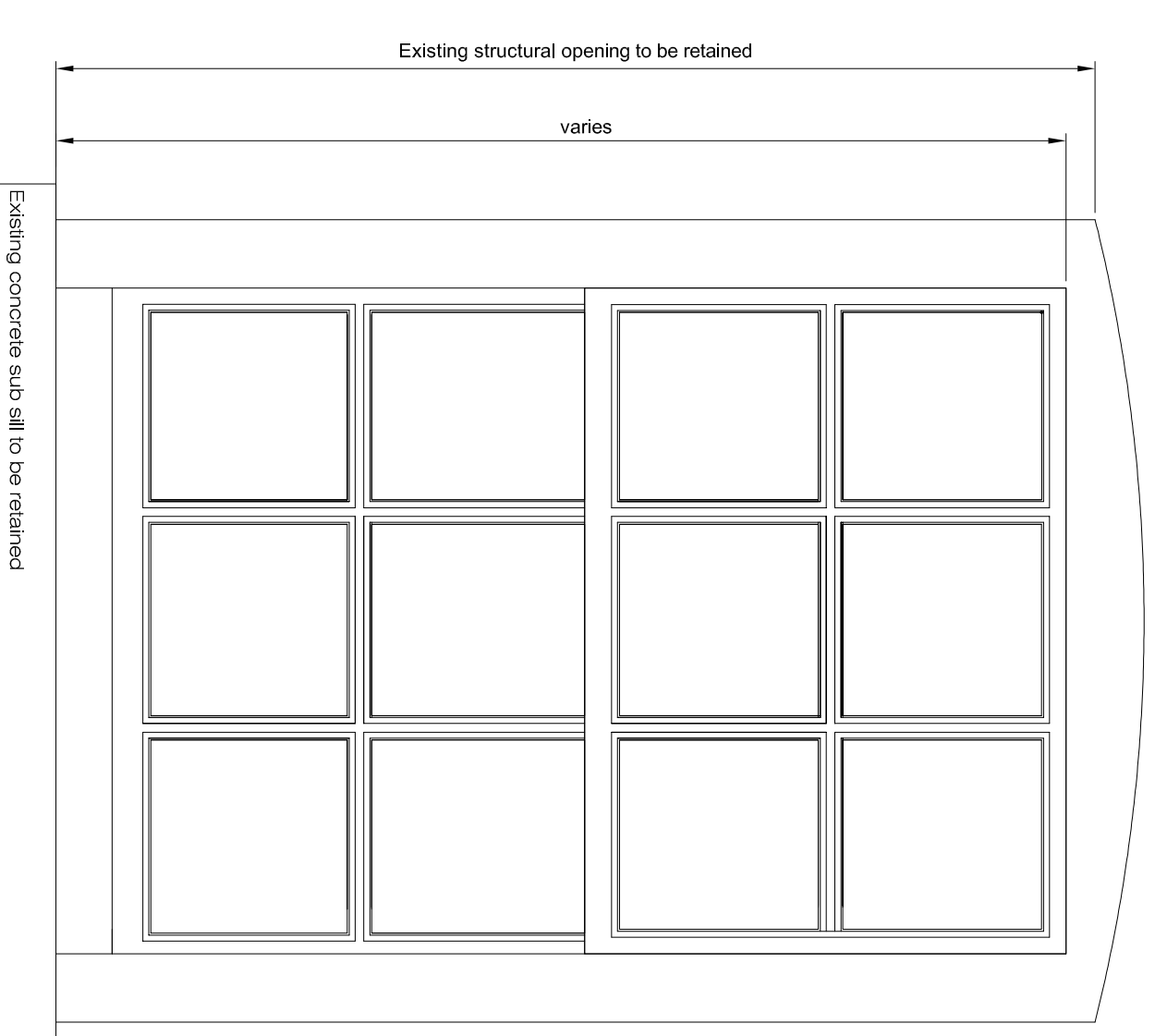
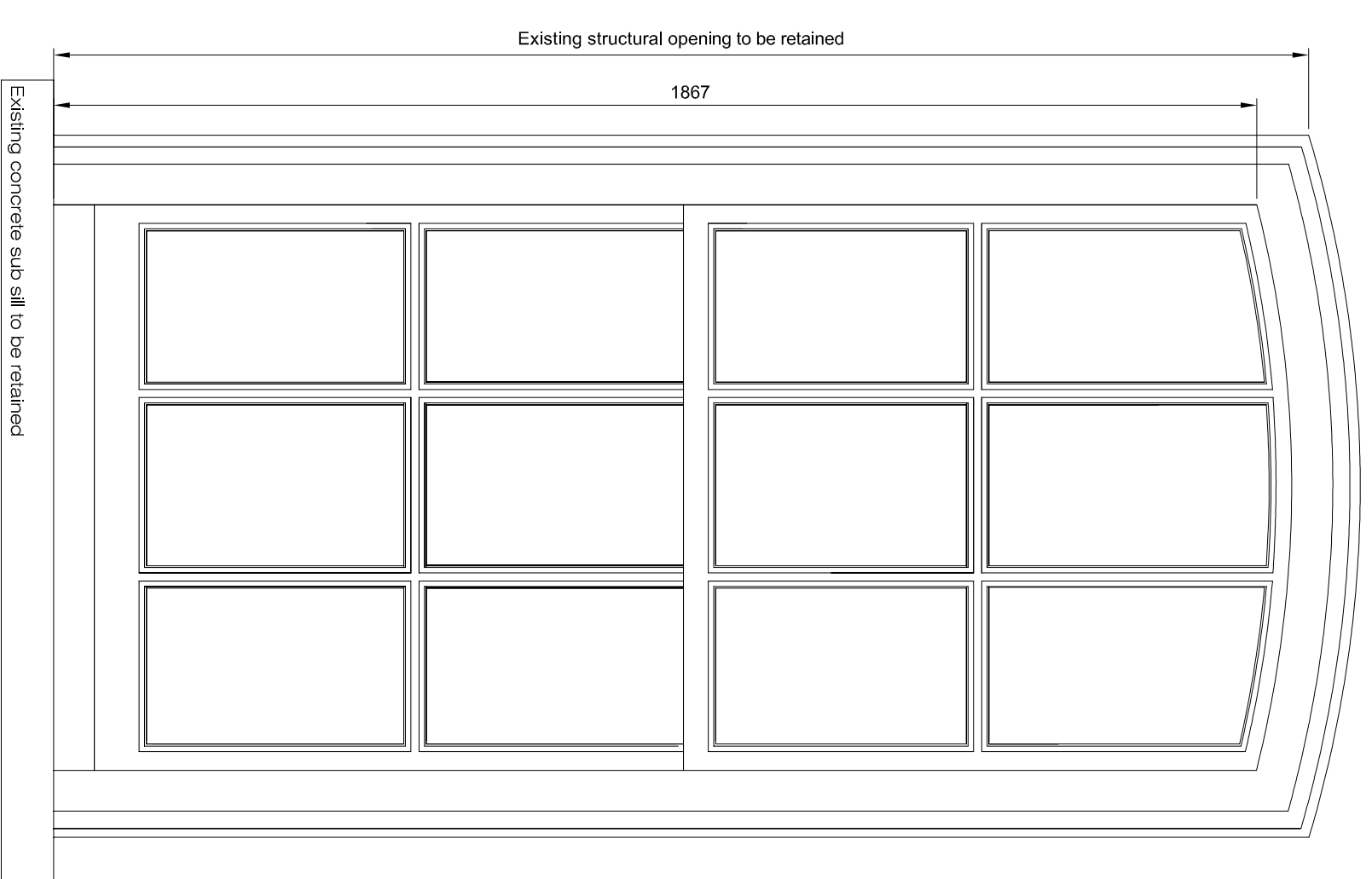
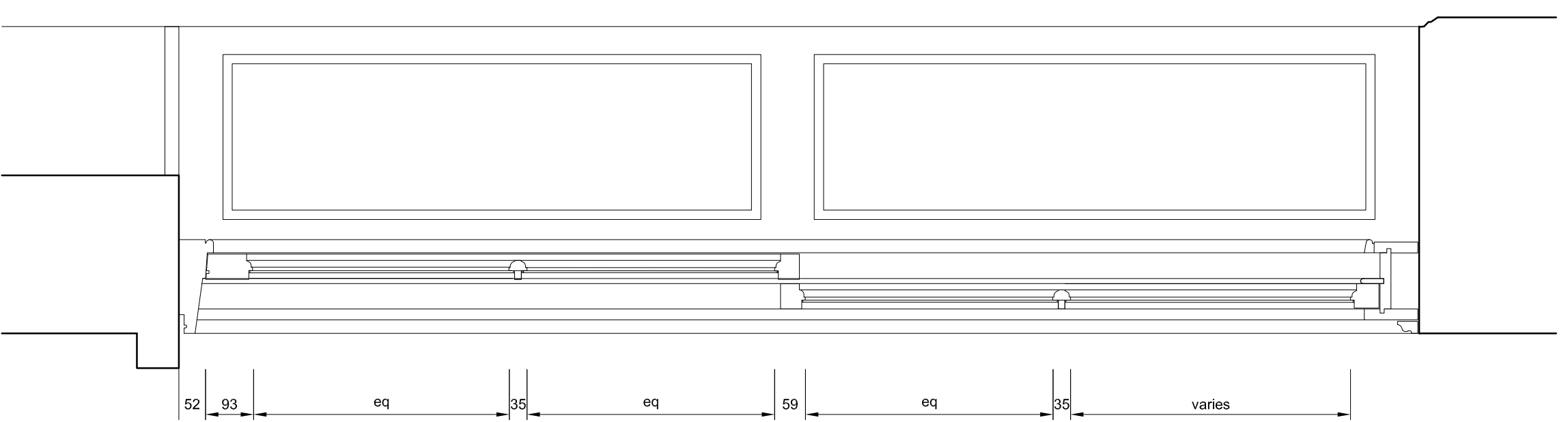
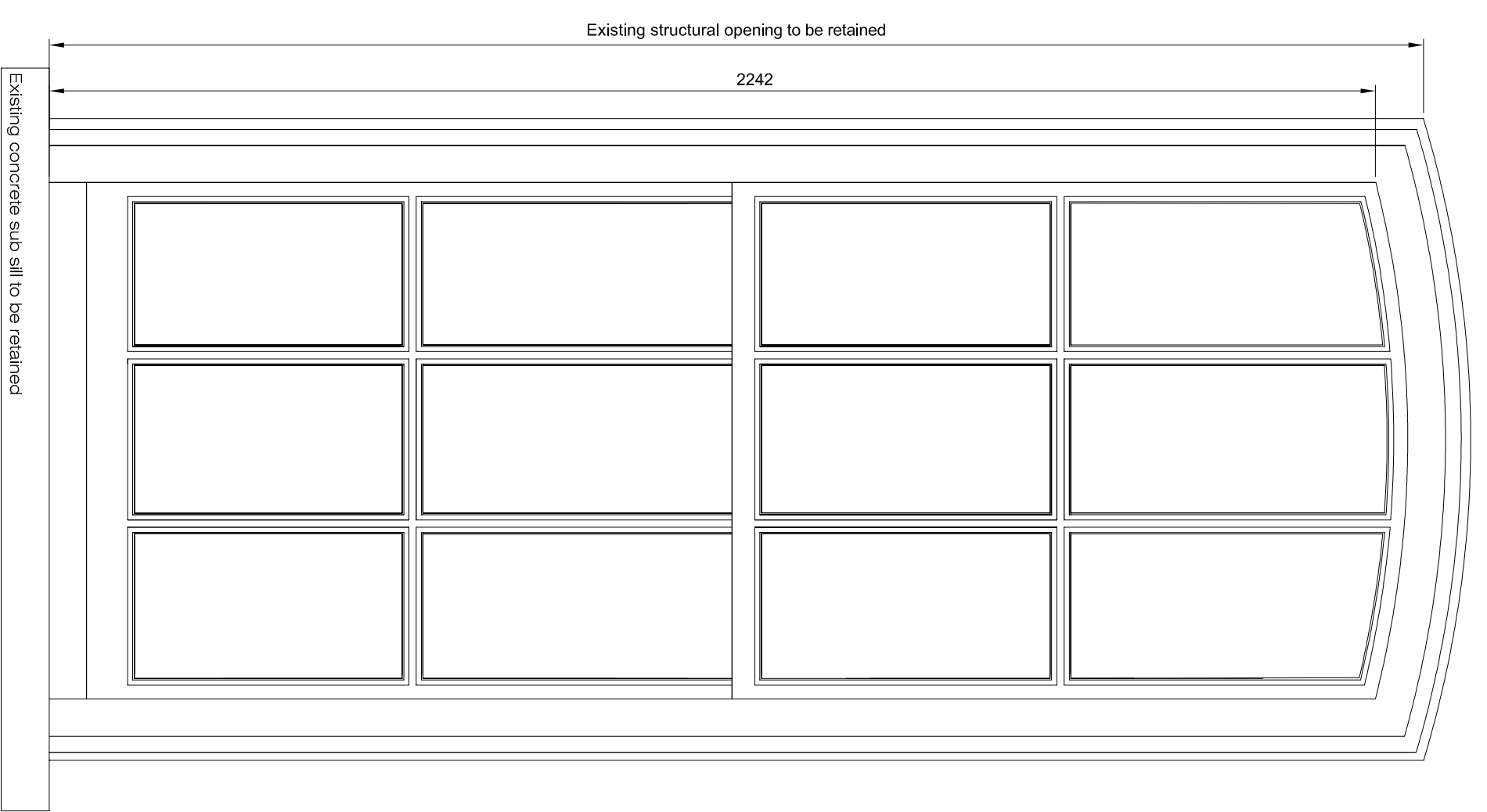
Drawing: Proposed Window Types



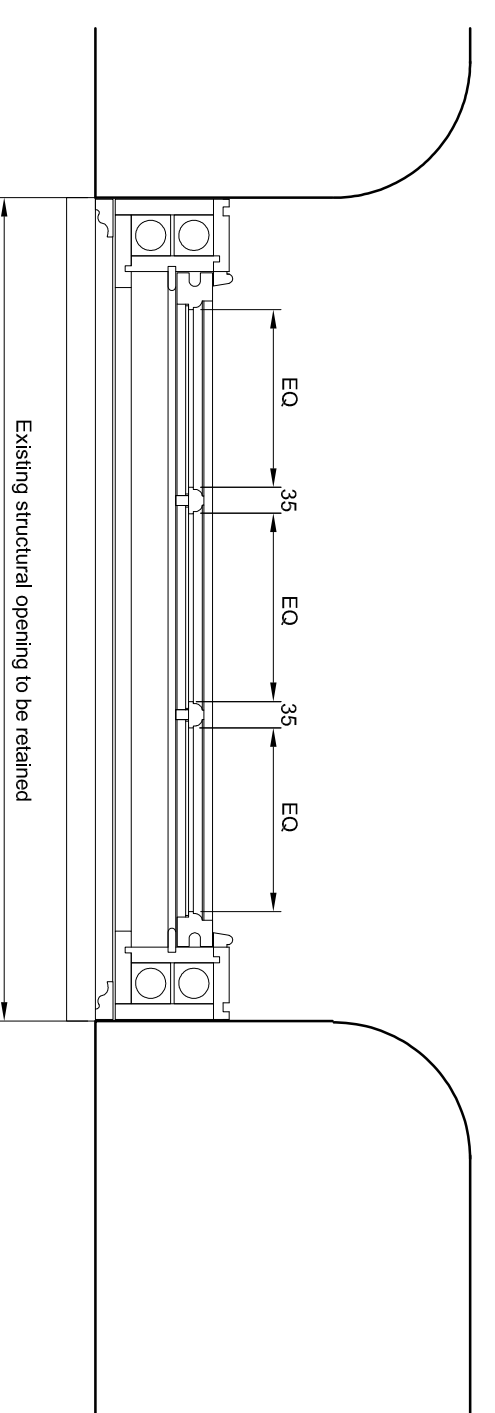
ETCHINGAM MORRIS
ARCHITECTURE LTD
www.etchingham-morris.co.uk

The Studio
Rear of 43 / 45 High Street
Ringswood
Hampshire BH24 1AD
T: 01428 483155 F: 01428 483156
E: ffordesk@etchingham-morris.co.uk

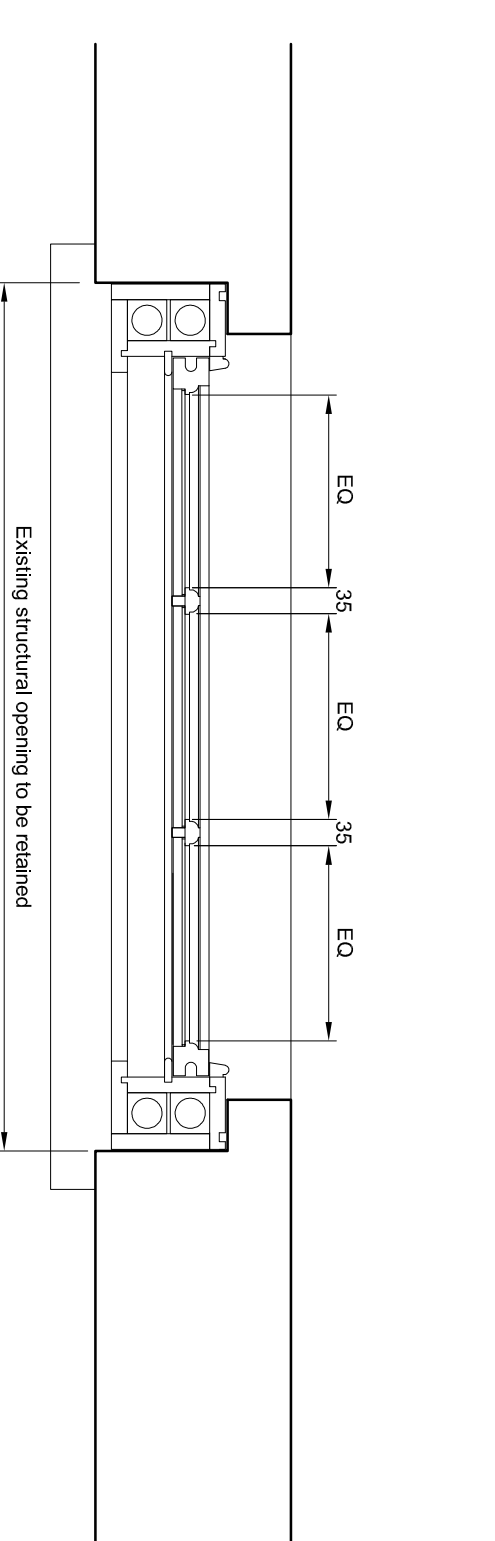
Date: Jun 2019 **Dwg No:** ST711-80
Scale: 1:10 (A1)



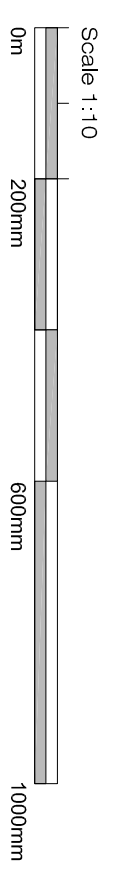
Window Type D
PW10, PW11
Scale 1:10



Window Type E
PW12, PW13
Scale 1:10



Window Type F
PW01, RW02, RW03, RW04, RW05, RW06, RW22
Scale 1:10



Proposed Alterations to 34 Great James Street, Bloomsbury, London, WC1N 3HB

Client: Mr R Crowley

Project: 34 Great James Street

Drawing: Proposed Window Types



ETCHINGAM MORRIS
ARCHITECTS LTD
www.etchingham-morris.co.uk

The Studio

Rear of 43 / 45 High Street

Ripswold

Hamshire BH24 1AD

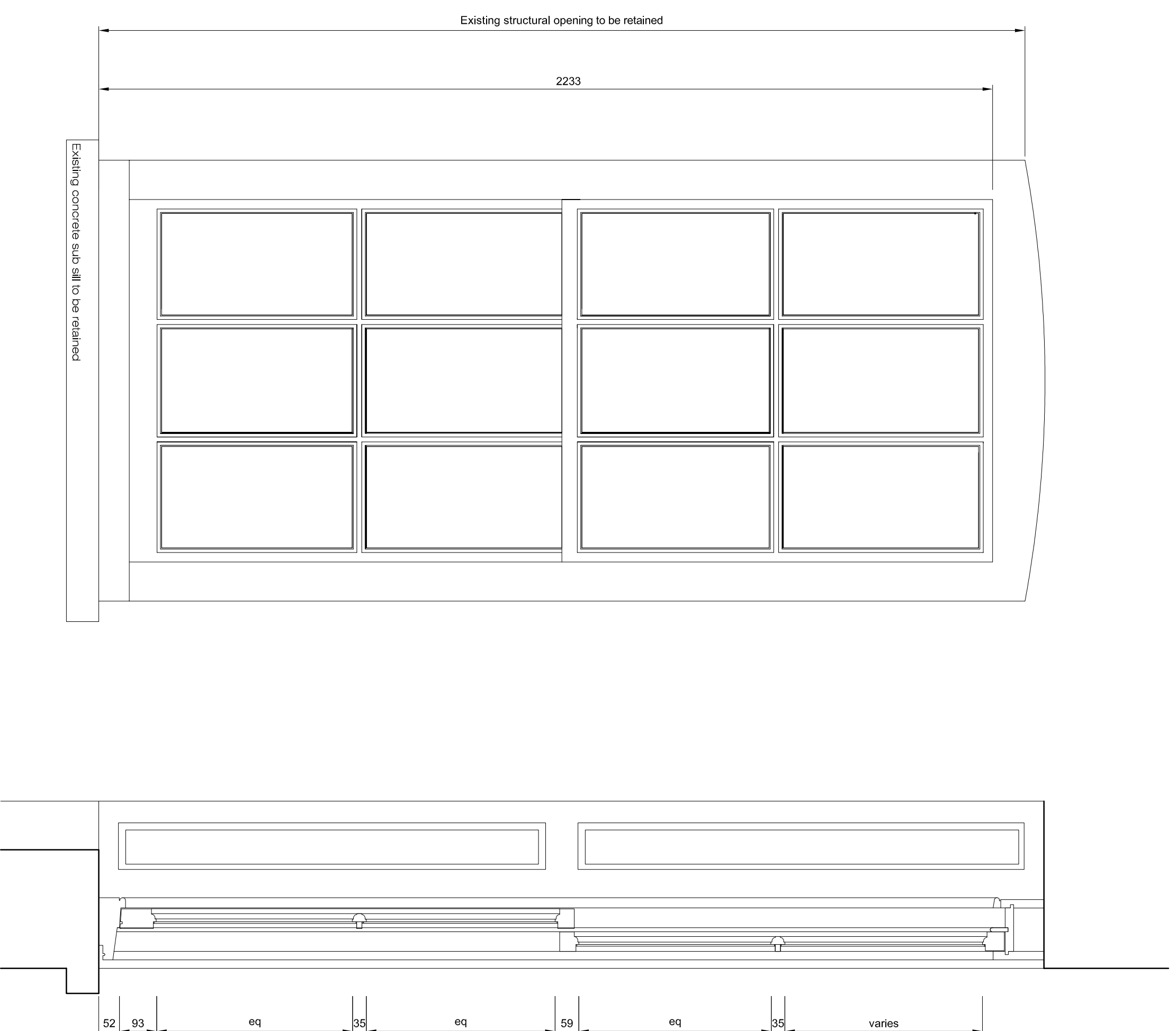
T: 01428 483155 F: 01428 483156

E: fordesk@etchingham-morris.co.uk

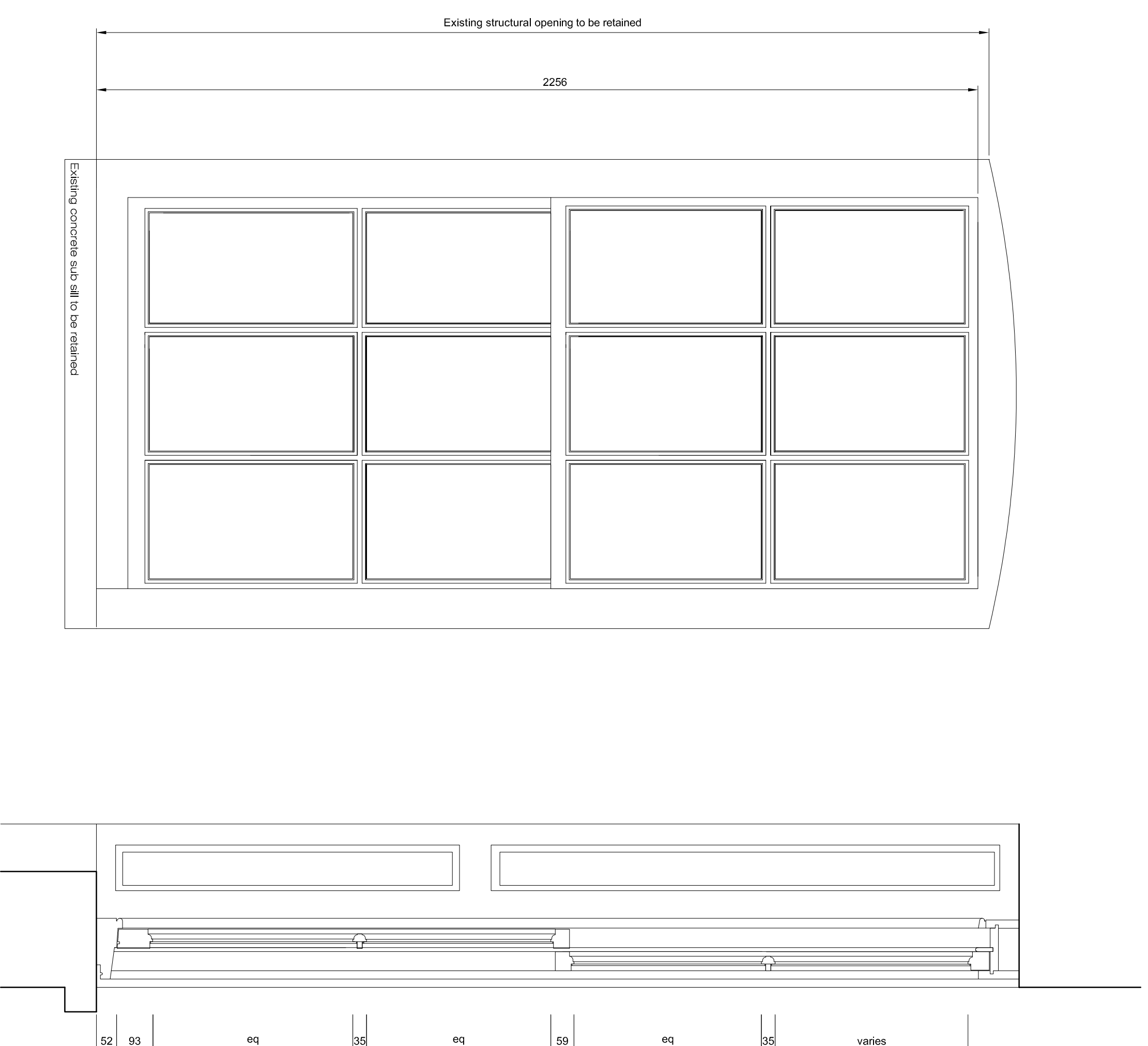
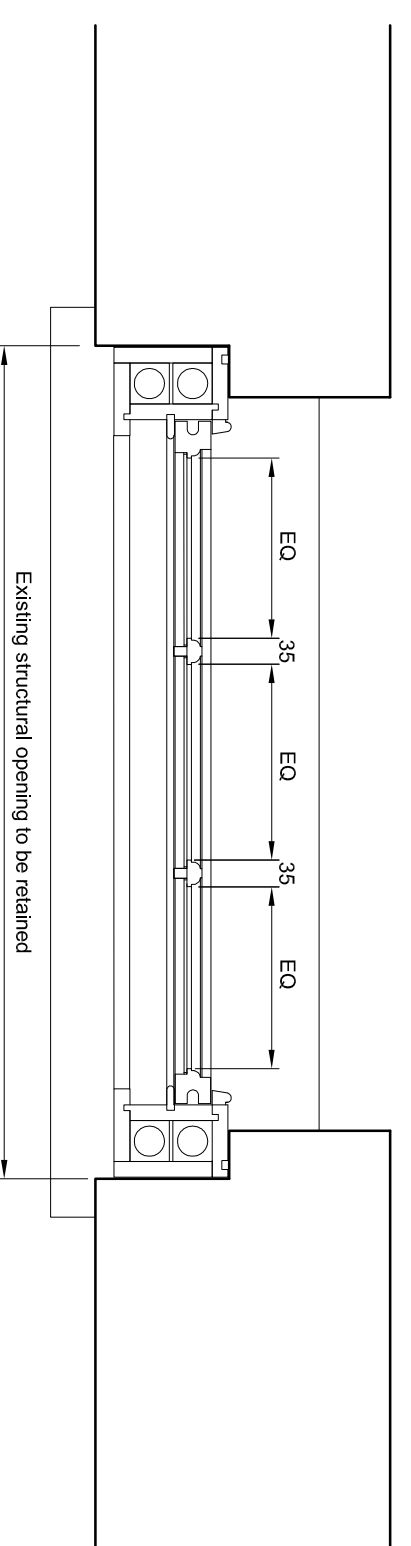
Date: Jun 2019

Dwg No: ST711-81

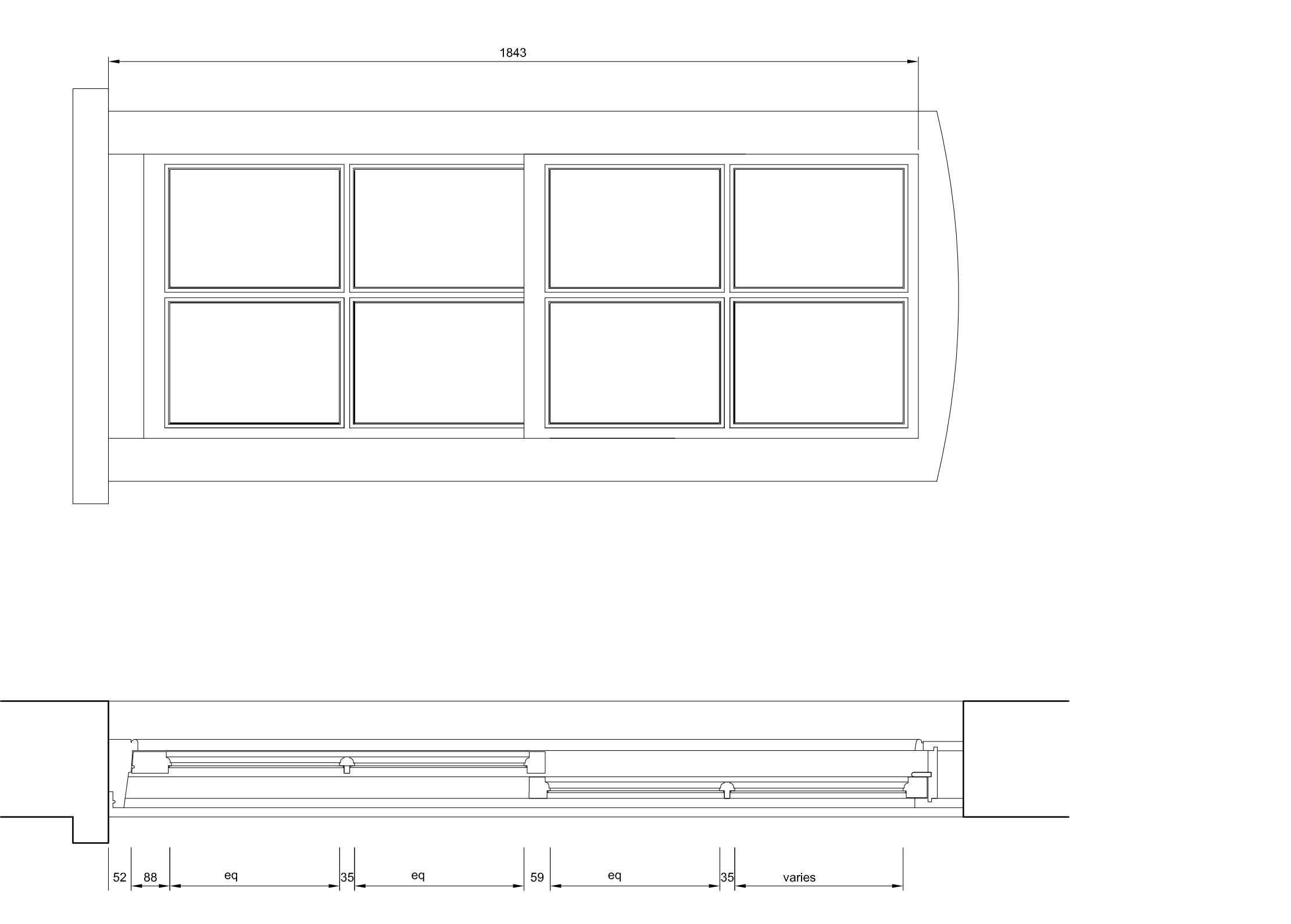
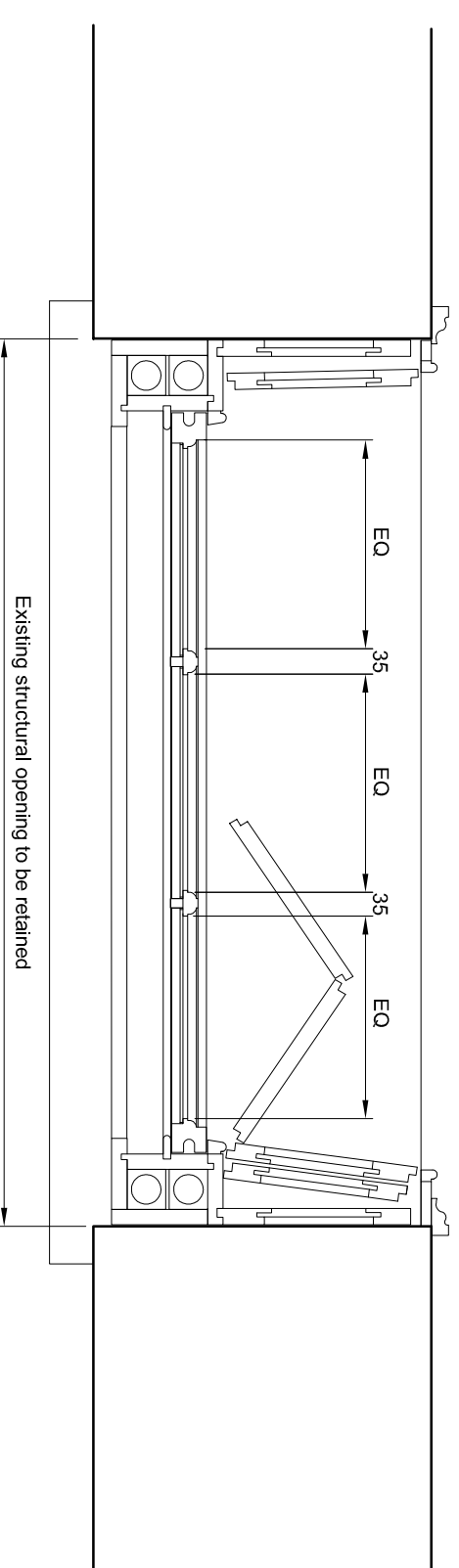
Scale: 1:10 (A1)



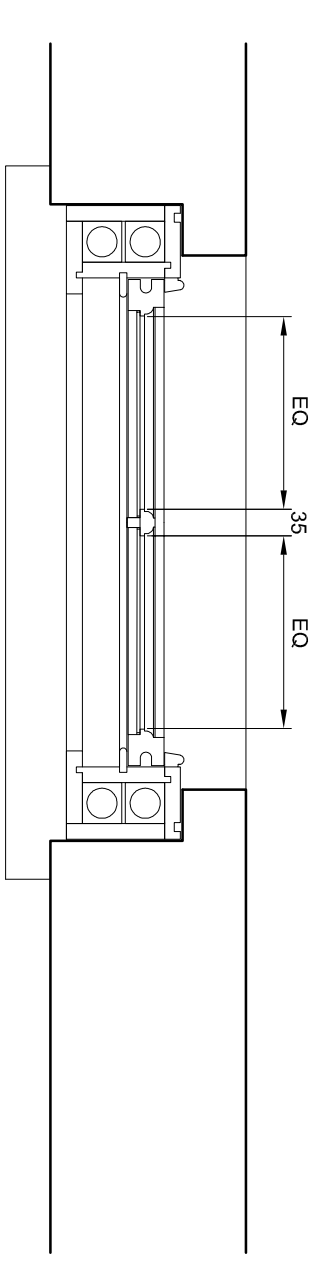
Window Type G
RW07, RW06, RW17
Scale 1:10



Window Type H
RW12
Scale 1:10



Window Type I
RW21
2 panes wide based on RW11, Height to match RW11
Scale 1:10



Scale 1:10
0m
200mm
600mm
1000mm

Proposed Alterations to 34 Great James Street, Bloomsbury, London, WC1N 3HB

Client: Mr R Crowley

Project: 34 Great James Street

Drawing: Proposed Window Types



ETCHINGAM MORRIS
ARCHITECTS LTD
www.etchingham-morris.co.uk

The Studio

Rear of 43 / 45 High Street

Ripswold

Hamshire BH24 1AD

T: 01428 483155 F: 01428 483156

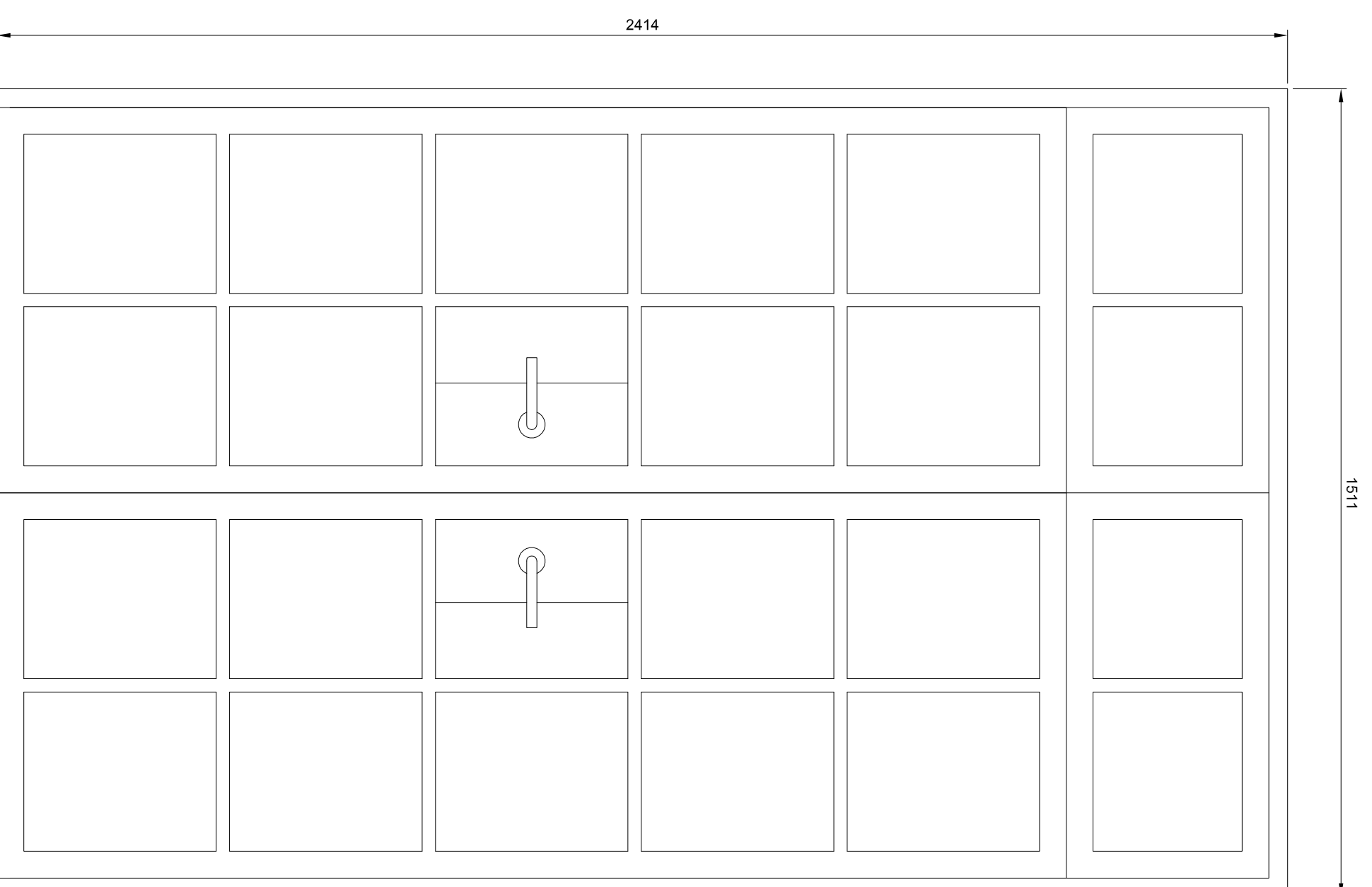
E: ffordesk@etchingham-morris.co.uk

Date: Jun 2019

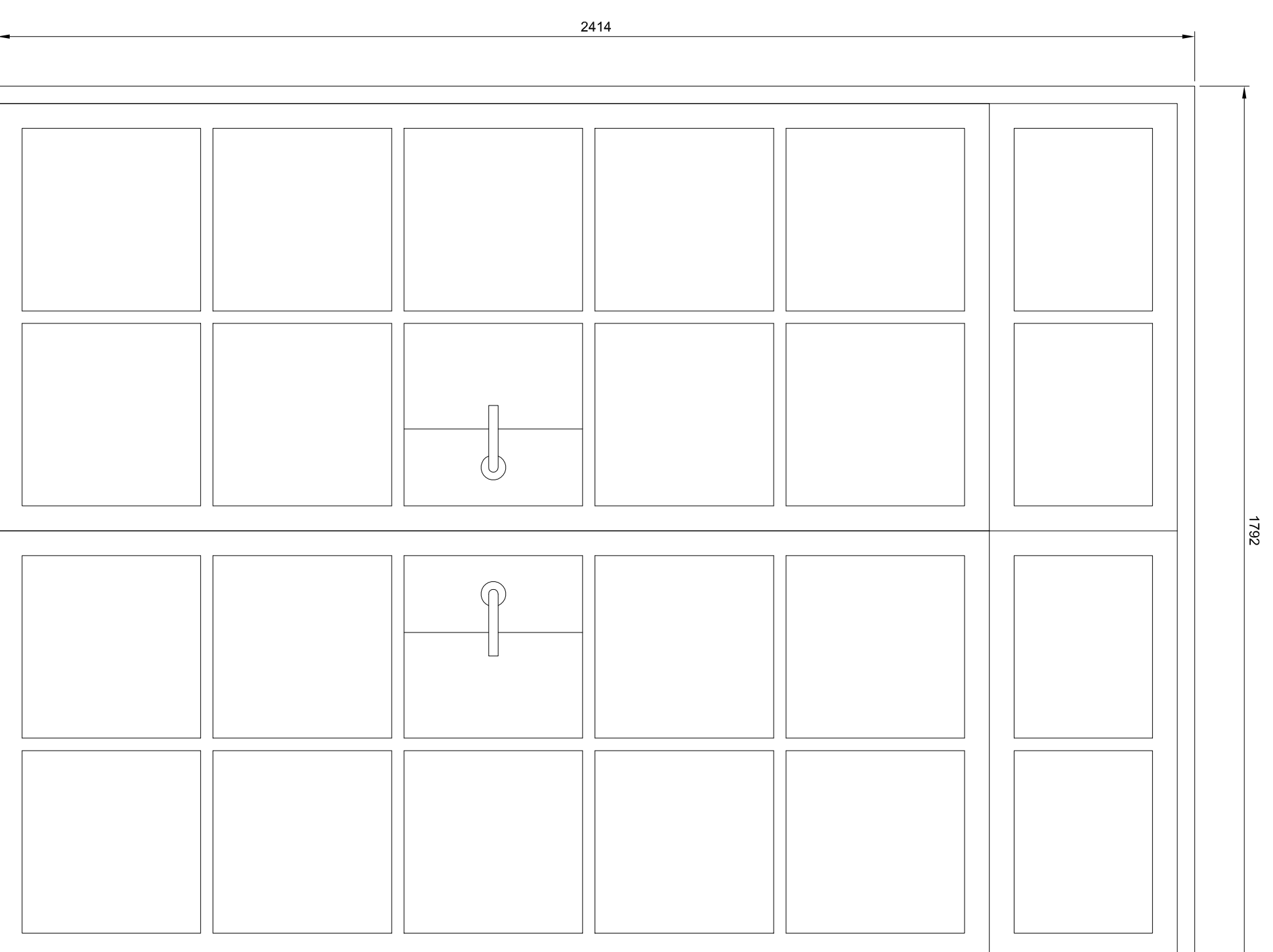
Dwg No:

ST711-82

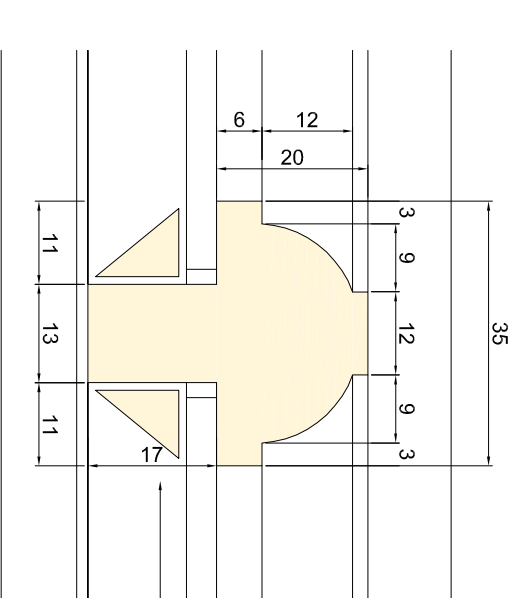
Scale: 1:10 (A1)



Window Type J
Scale 1:10

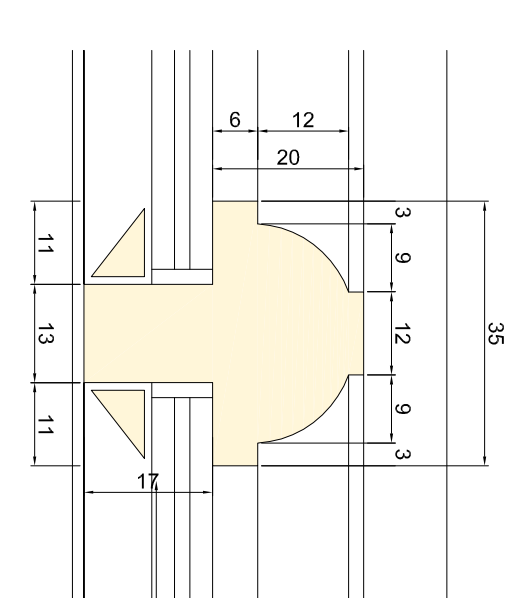


Window Type K
Scale 1:10



Proposed Sash Glazing Bar Detail
Scale 1:1

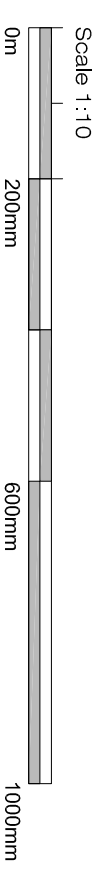
Chamfered hardwood beads to replicate party line.
New windows to be identified in Schedule for paint finish. Incorporate brush weatherstrips (not shown) lower sash top rail.
General frame section sizes are to match the existing window.



Proposed Sash Glazing Bar Detail
Scale 1:1

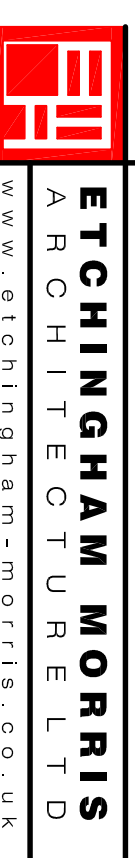
8mm acoustic glass variation to F1004, F1005, F1006

Chamfered hardwood beads to replicate party line.
New windows to be identified in Schedule for paint finish. Incorporate brush weatherstrips (not shown) to all parting and steel bead locations together with lower sash top rail.
General frame section sizes are to match the existing window.



Proposed Alterations to 34 Great James Street, Bloomsbury, London, WC1N 3HB

Client: Mr R Crowley
Project: 34 Great James Street
Drawing: Proposed Window Types



ETCHINGAM MORRIS
ARCHITECTS LTD
www.etchingam-morris.co.uk

The Studio
Rear of 43 / 45 High Street
Ringswood
Hampshire BH24 1AD
T: 01428 483155 F: 01428 483156
E: frontdesk@etchingam-morris.co.uk

Date: Jun 2019 **Dwg No:** ST711-83
Scale: As shown