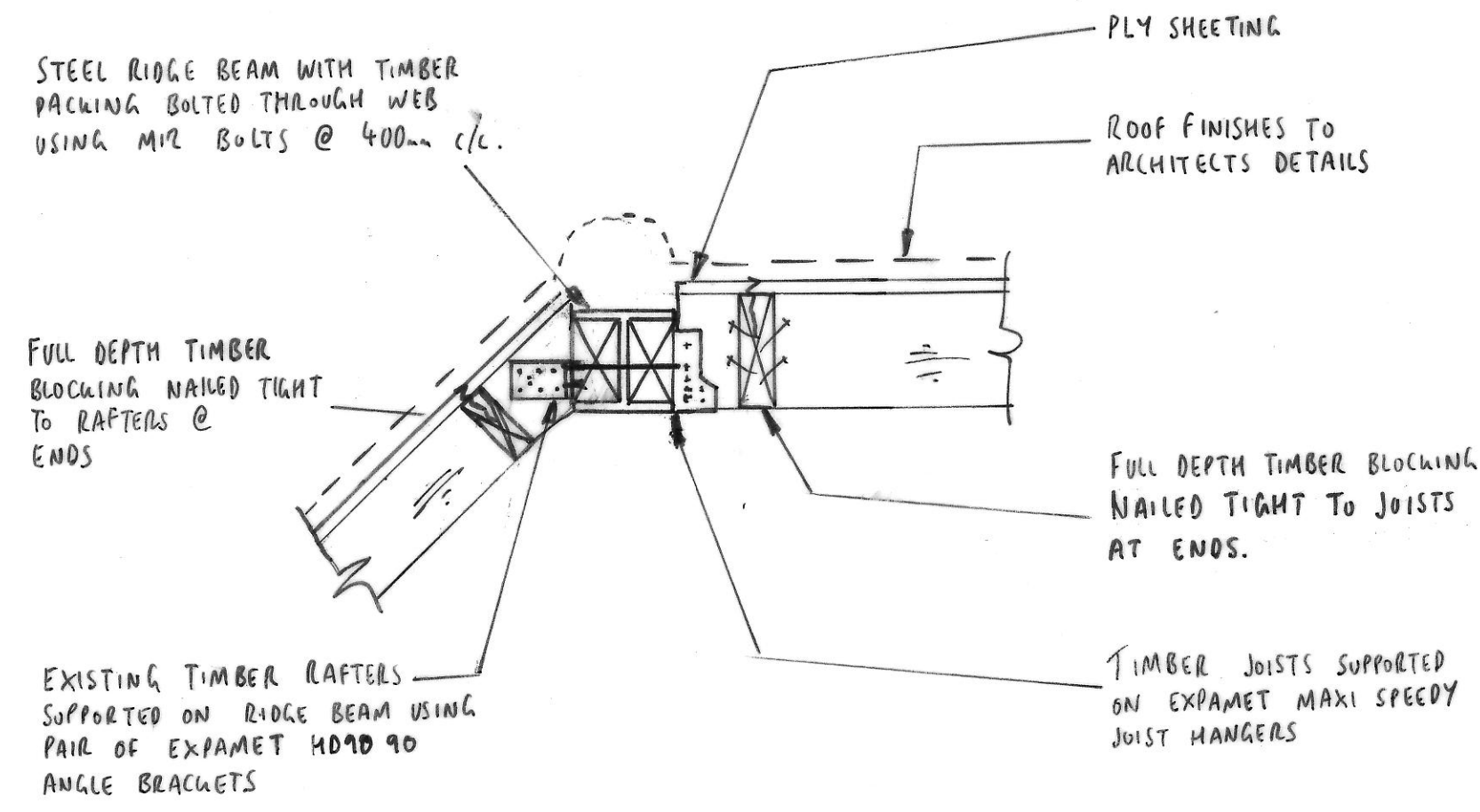
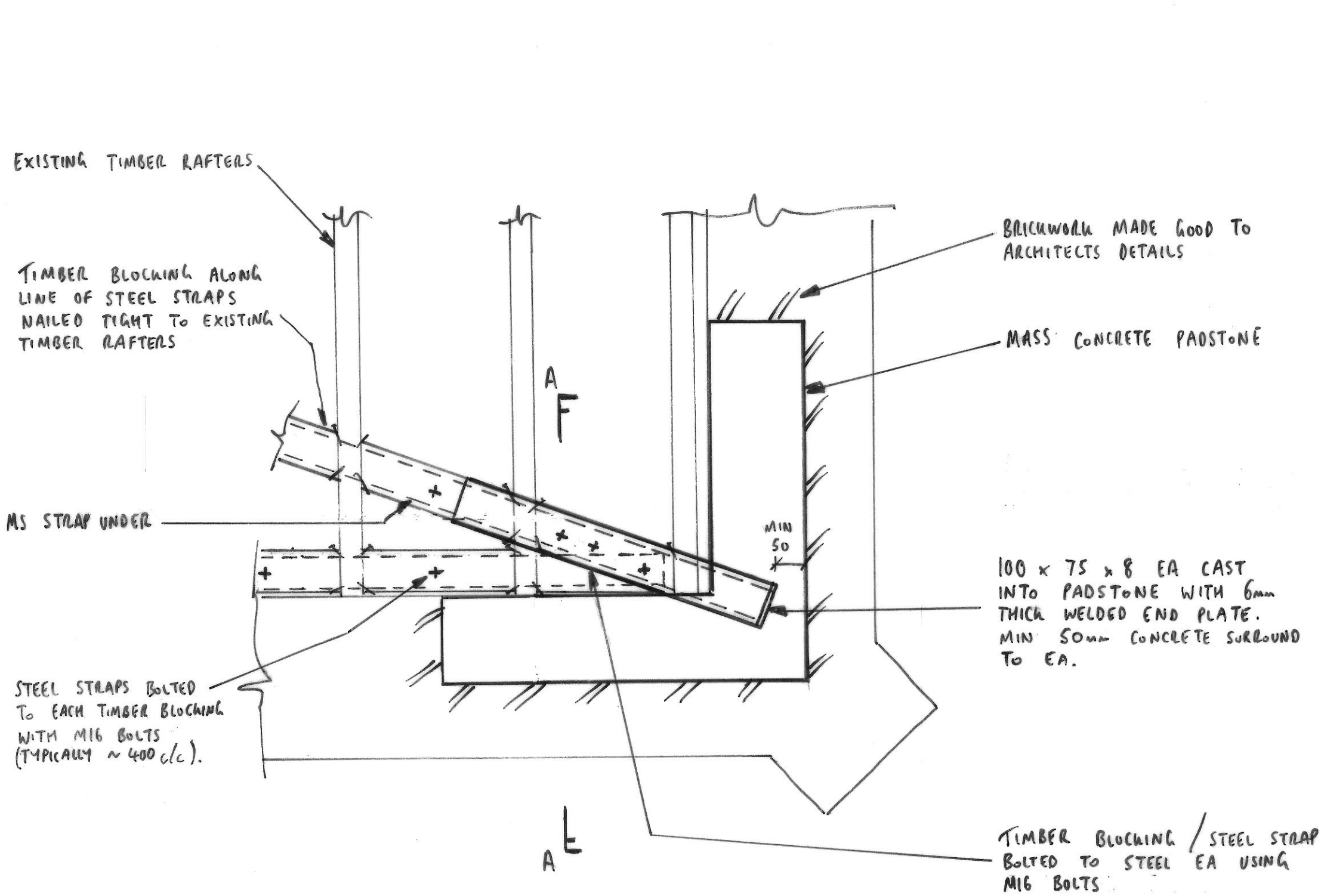


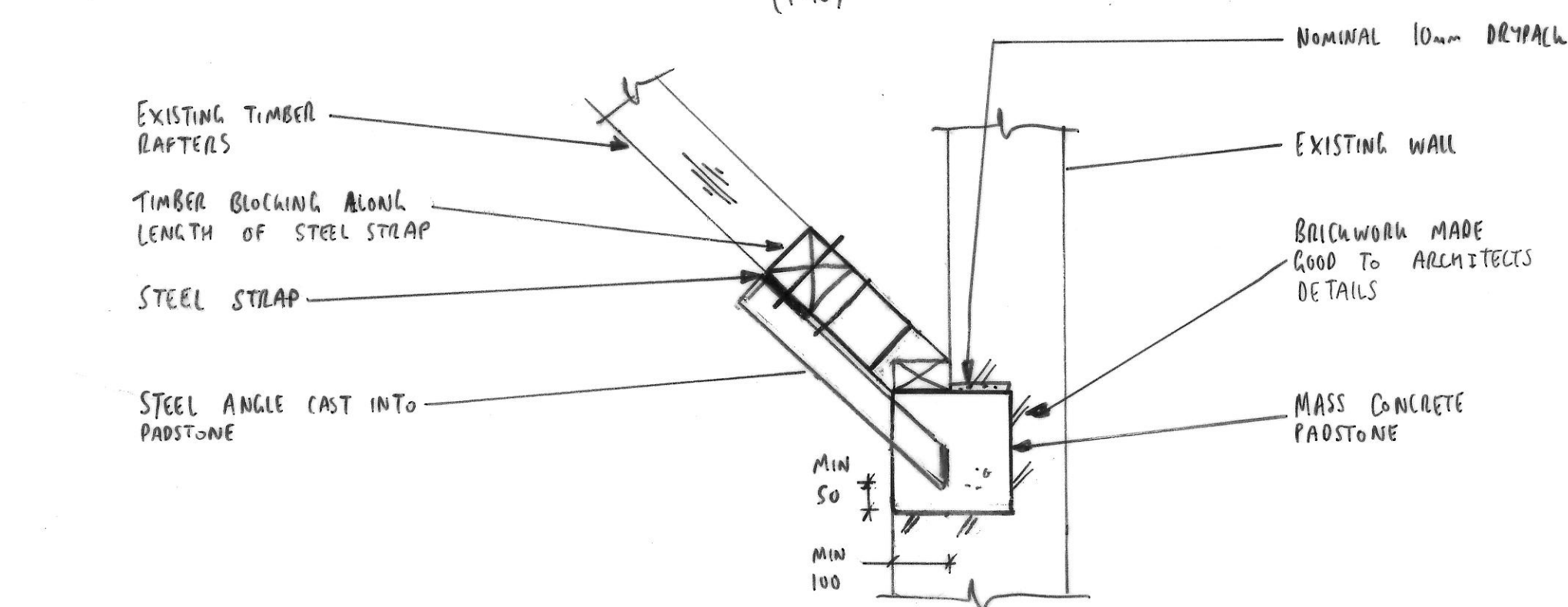
DETAIL 15-15 (1:10)



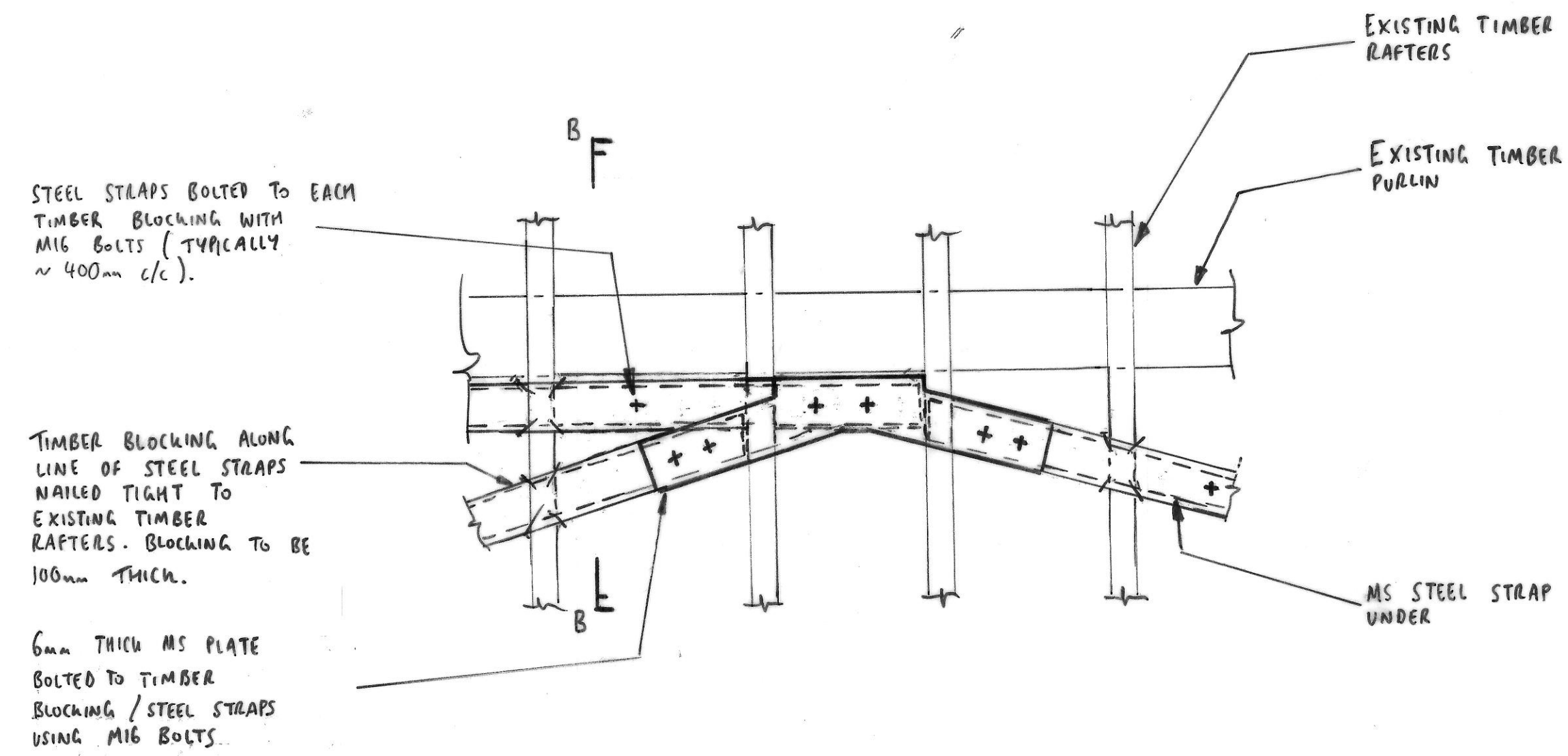
DETAIL 16-16 (1:10)



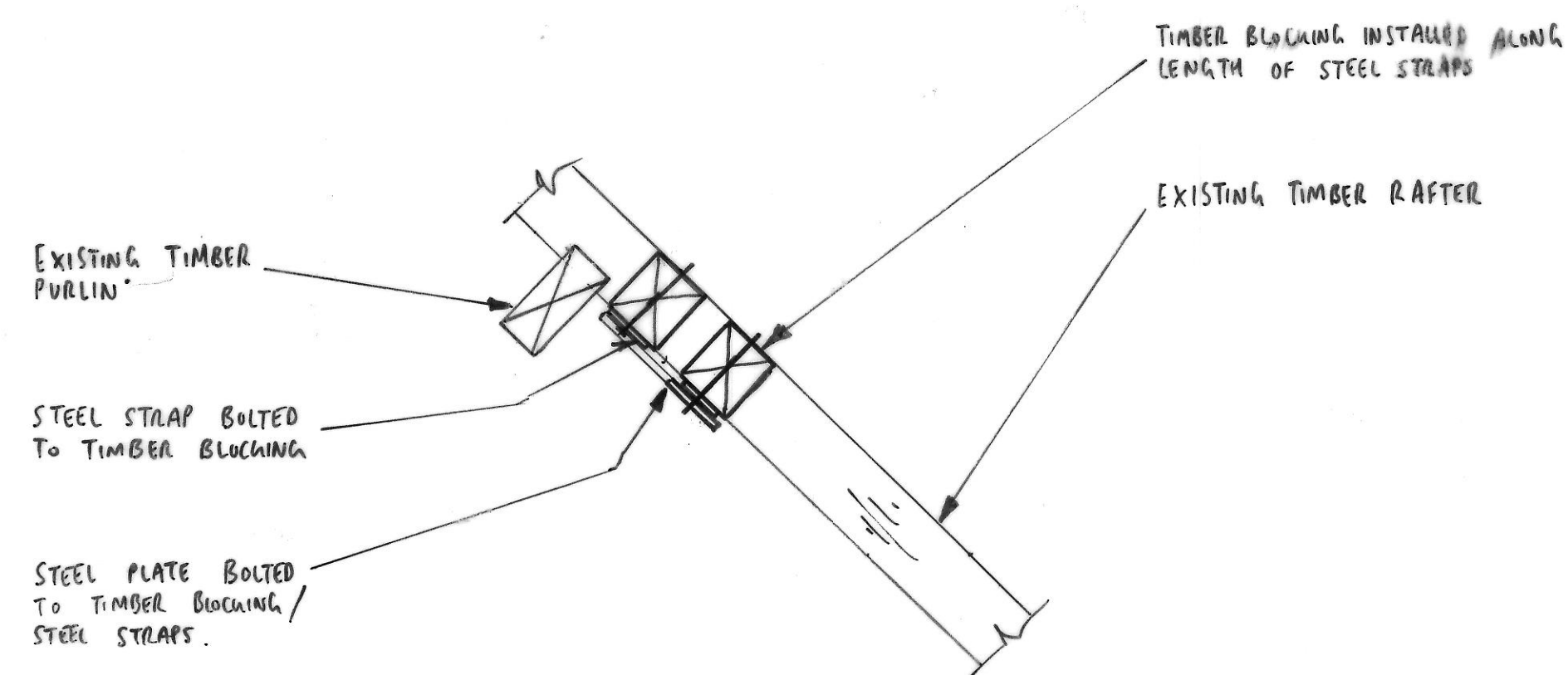
DETAIL 17-17 (1:10)



DETAIL A-A (1:10)



DETAIL 18-18 (1:10)



DETAIL B-B (1:10)

- notes
1. THIS DRAWING IS TO BE READ IN CONJUNCTION WITH ALL RELEVANT ARCHITECTS AND ENGINEERS DRAWINGS AND THE SPECIFICATION.
  2. FOR GENERAL NOTES, KEY & SCHEDULES REFER TO DRAWING C1601/210/999.

NOT FOR CONSTRUCTION

31.01.19 ISSUED FOR TENDER JHI

DANISH CHURCH

PROPOSED STRUCTURE:  
VICARAGE,  
ROOF DETAILS,  
SHEET 1

drawn JHI checked RA  
date JAN '19 scale (original - A1) AS SHOWN

Alan Baxter

75 Cowcross Street London EC1M 6EL  
tel 020 7250 1555  
email aba@alanbaxter.co.uk

www.alanbaxter.co.uk

orig. no. rev.

C1601/210/235