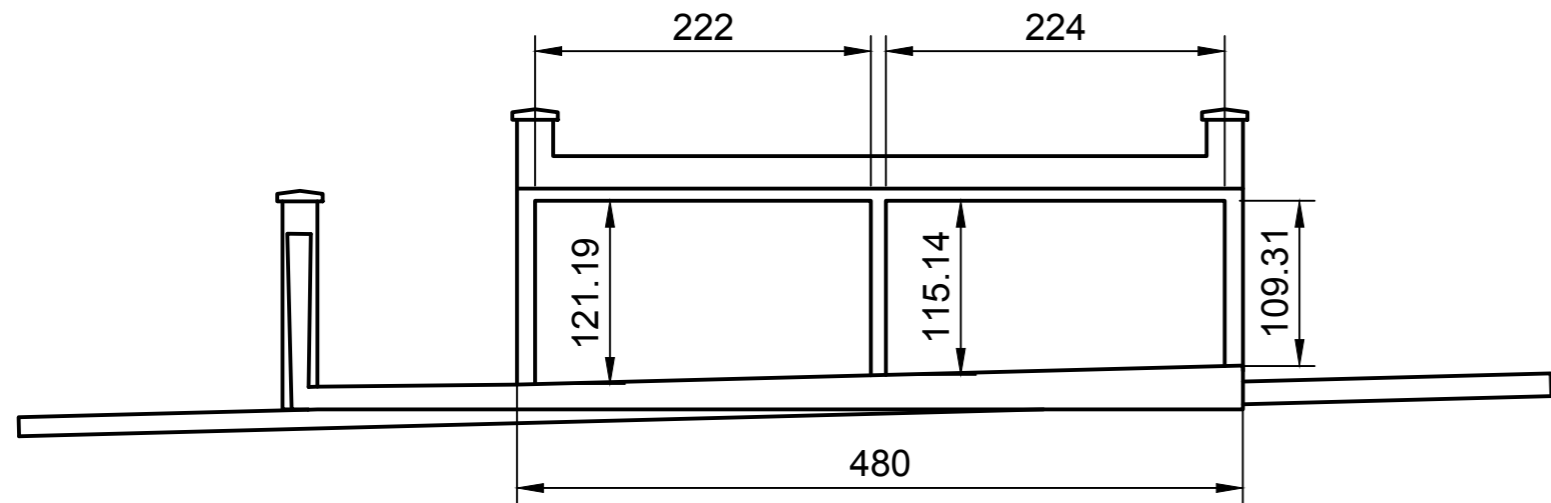
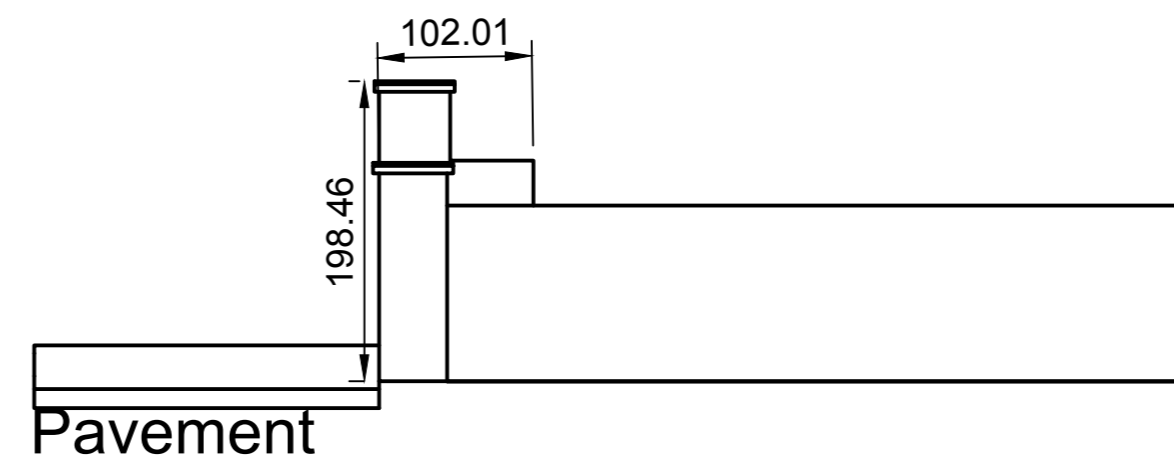


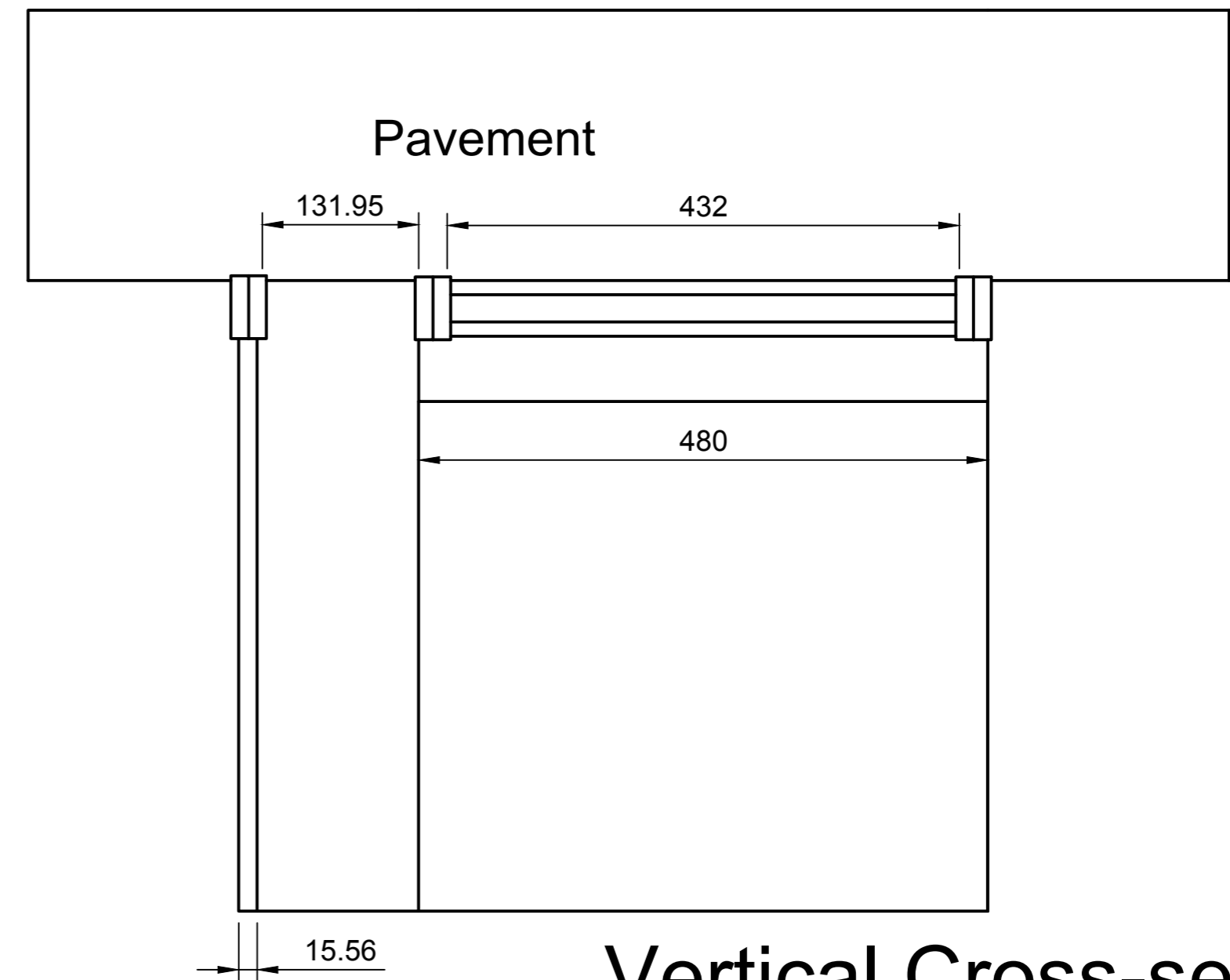
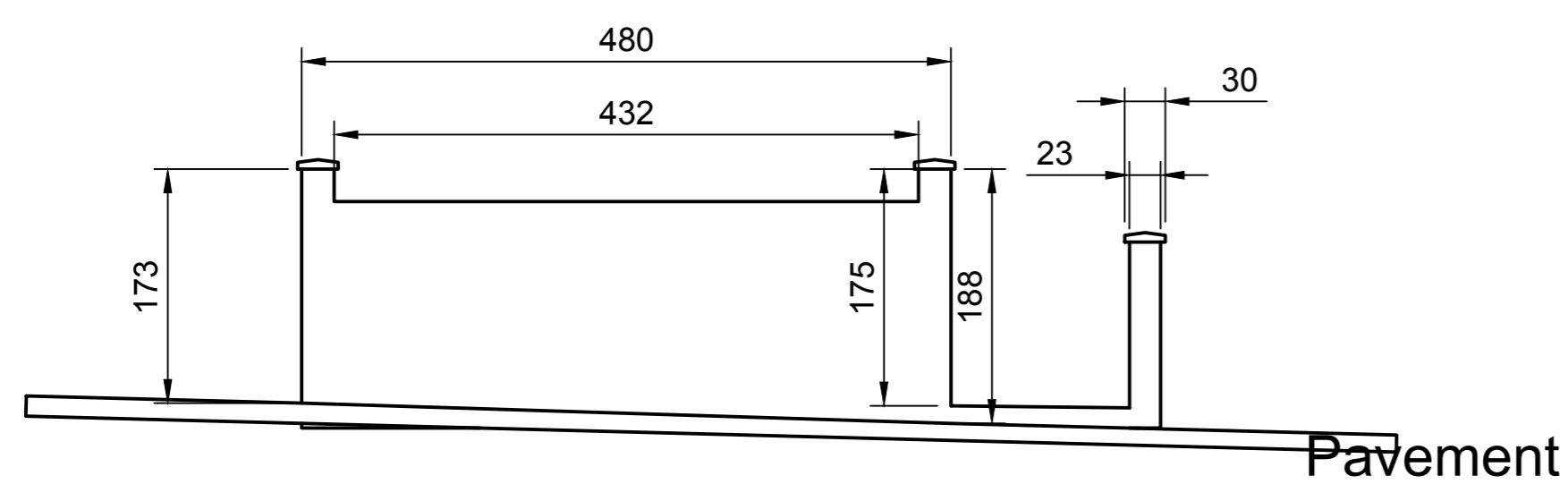
Back View



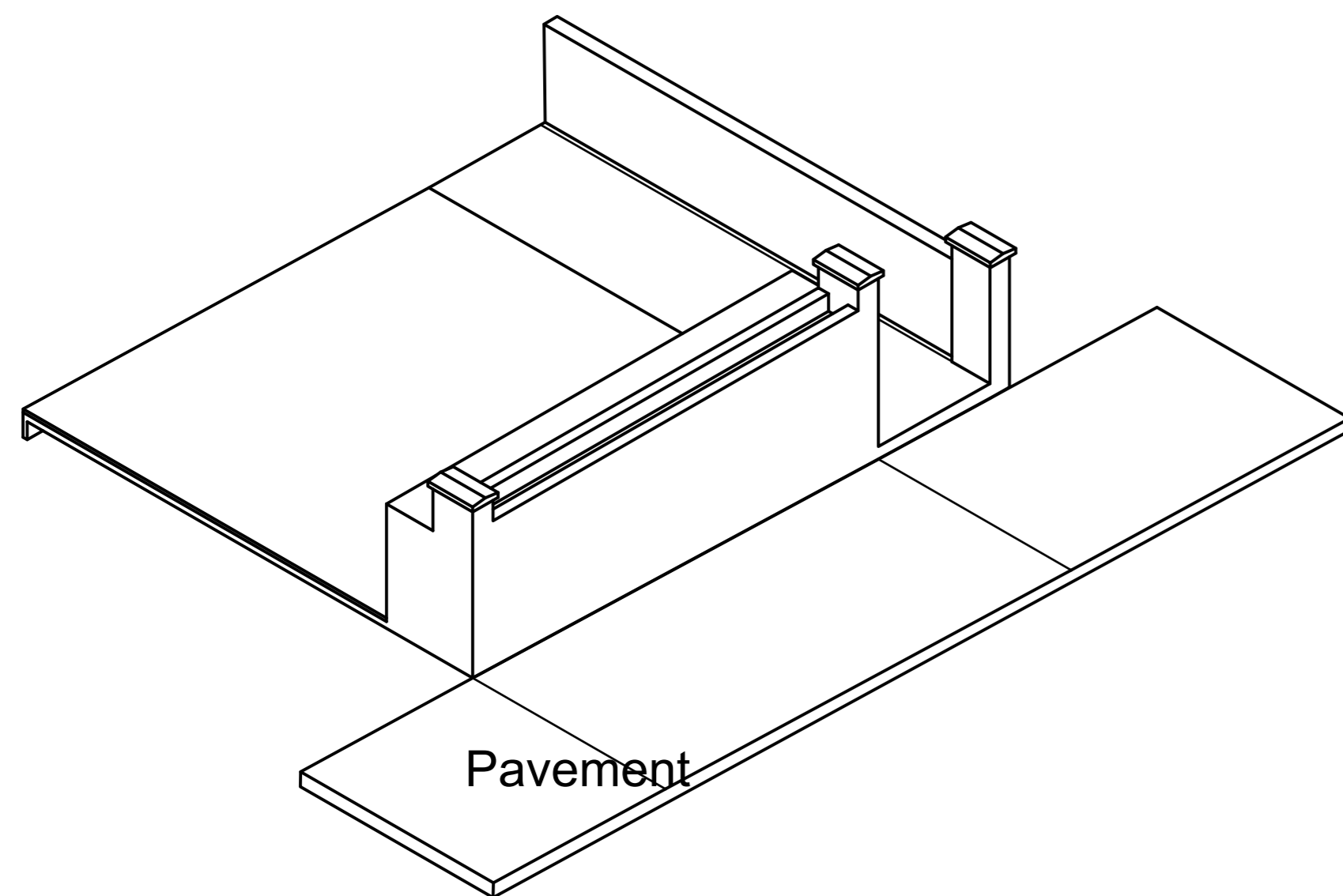
Horizontal Cross-section



Front View



Vertical Cross-section



Projected View

All dimensions given in centimeters

Scale	Plan	Name	Address	Date
1:5	Front Wall Retrospective Planning	Tara Porter	41 Hillfield Road NW6 1QD, Camden	04/07/18