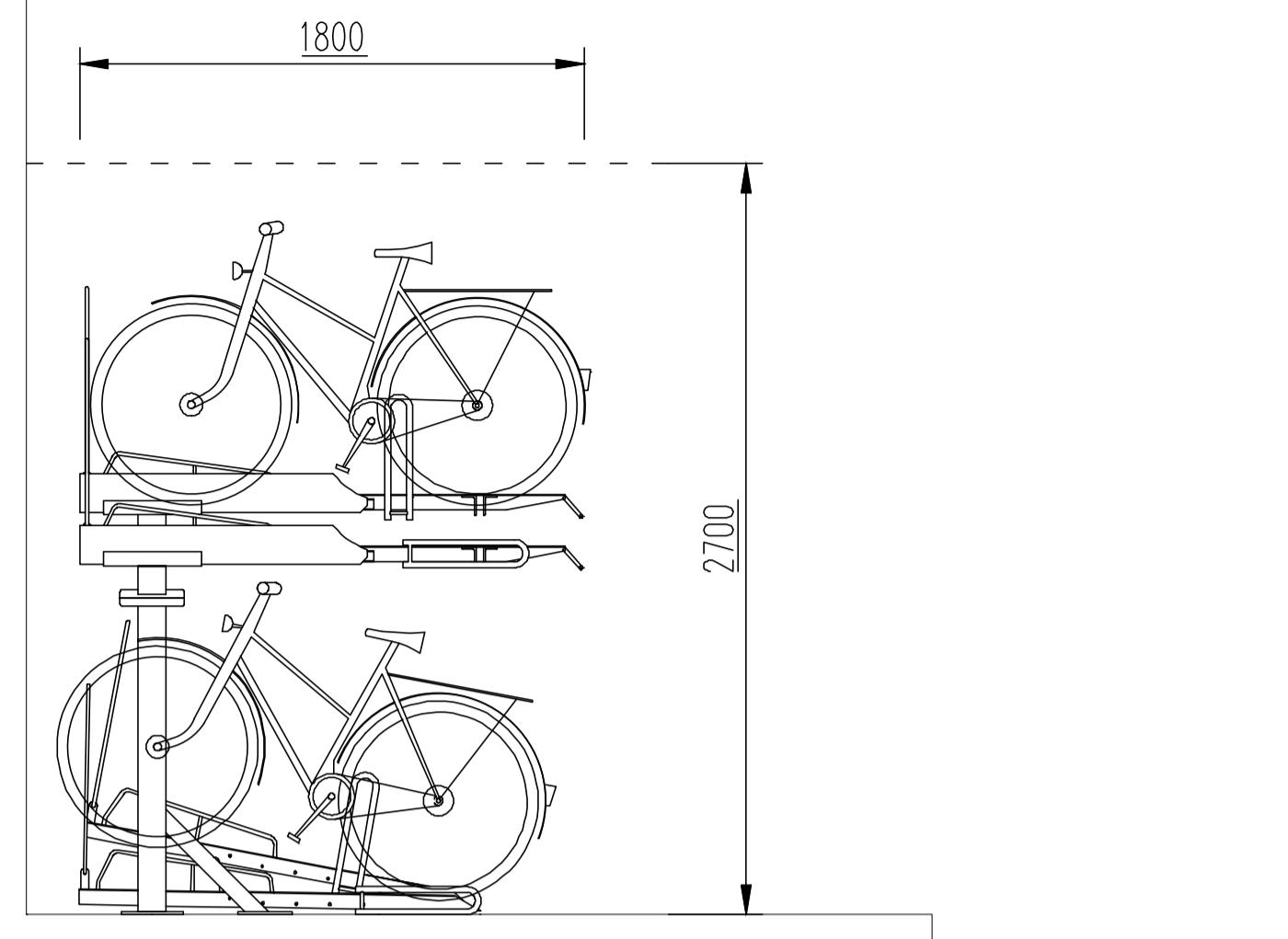
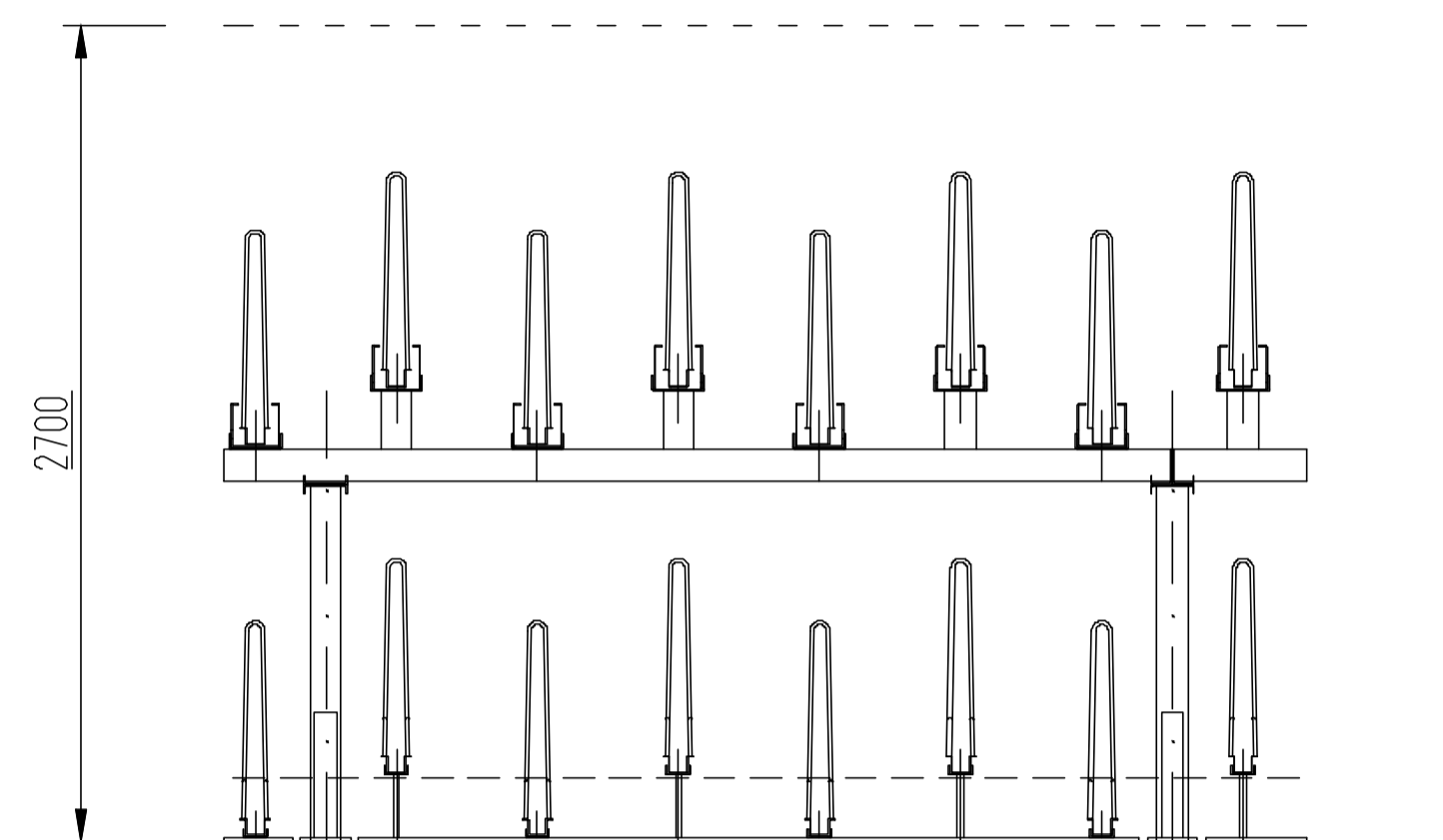


No scaled dimensions to be taken from this drawings. All dimensions to be site checked.

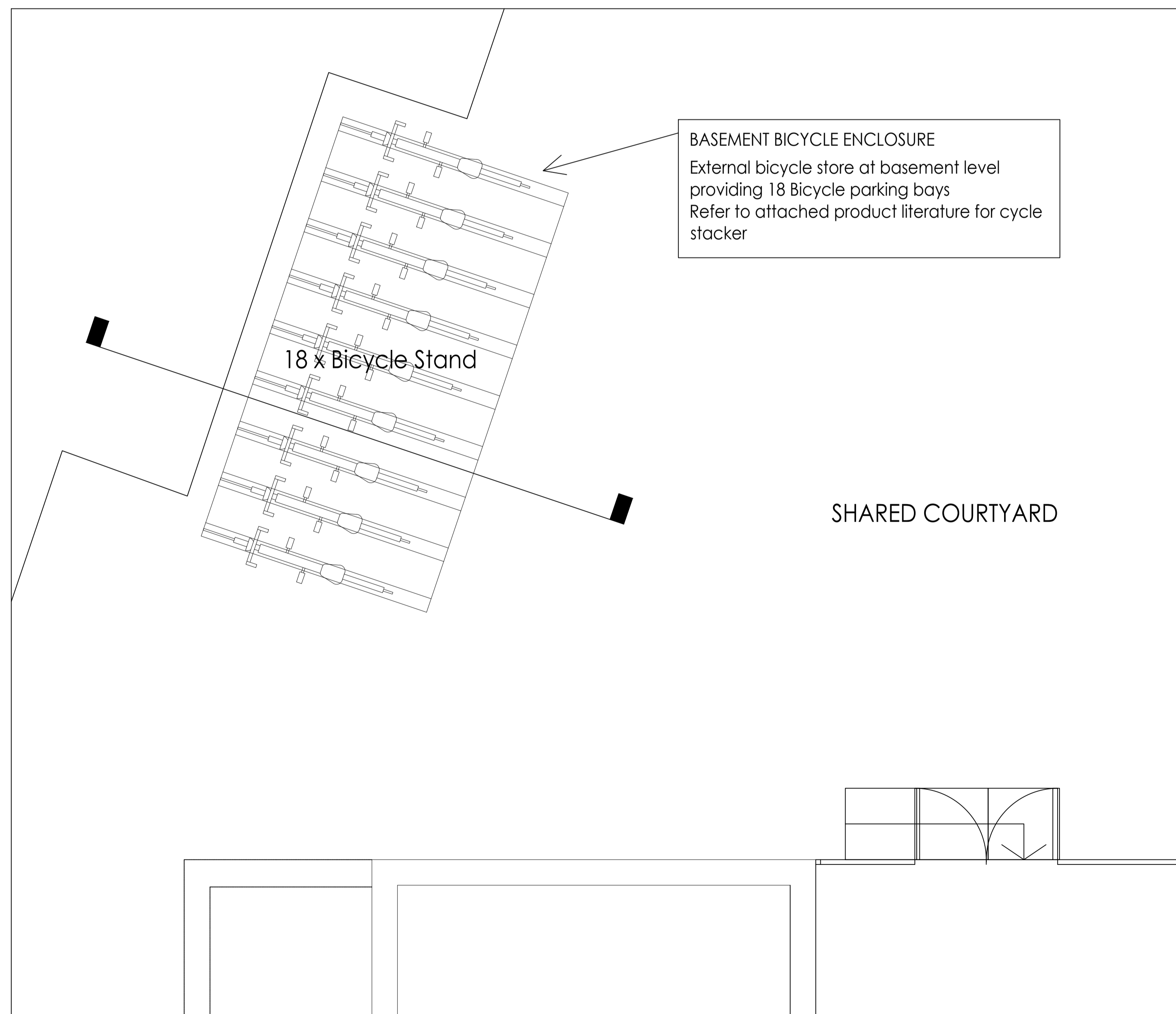
Courtyard Bicycle Stand



Flank Elevation / Section



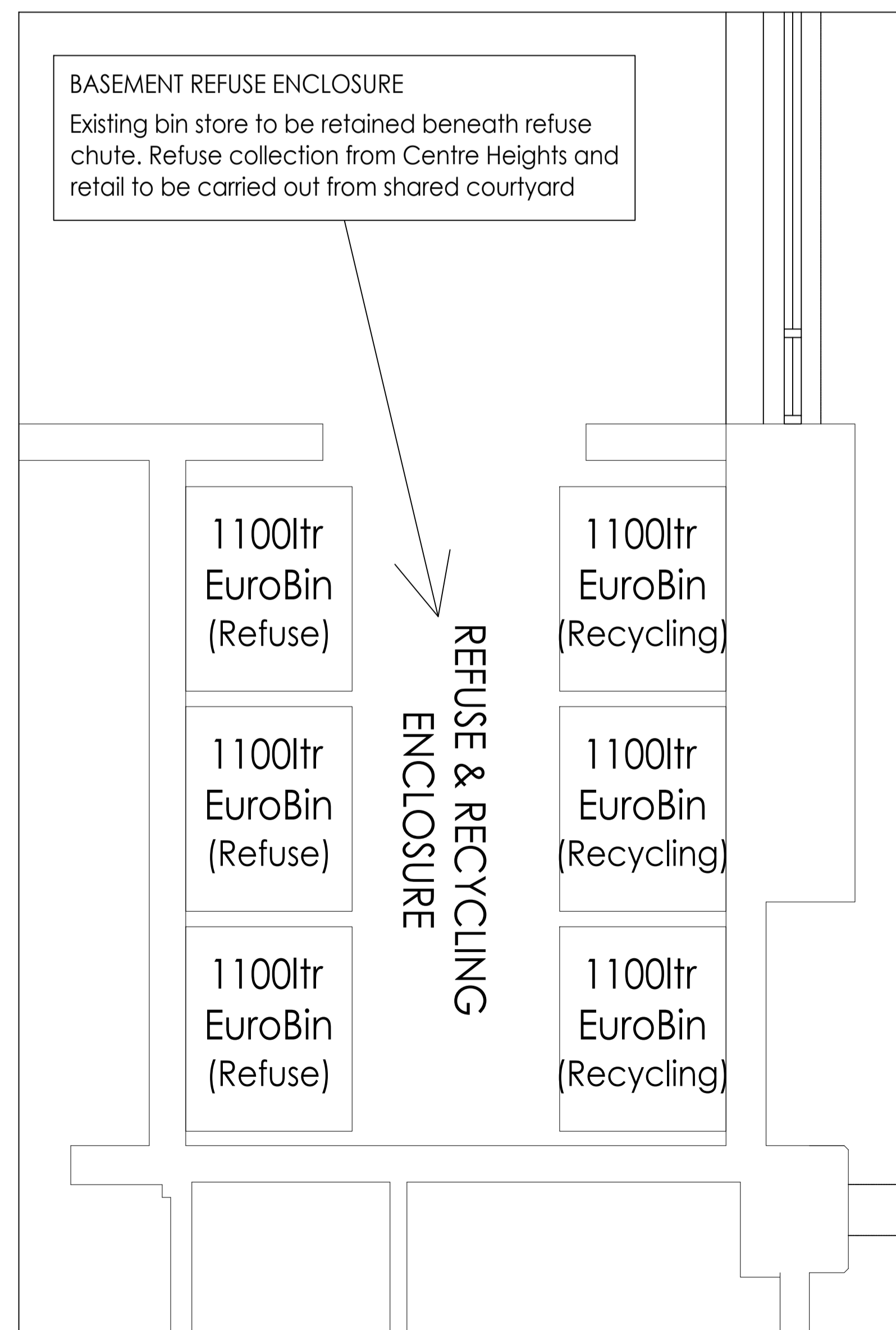
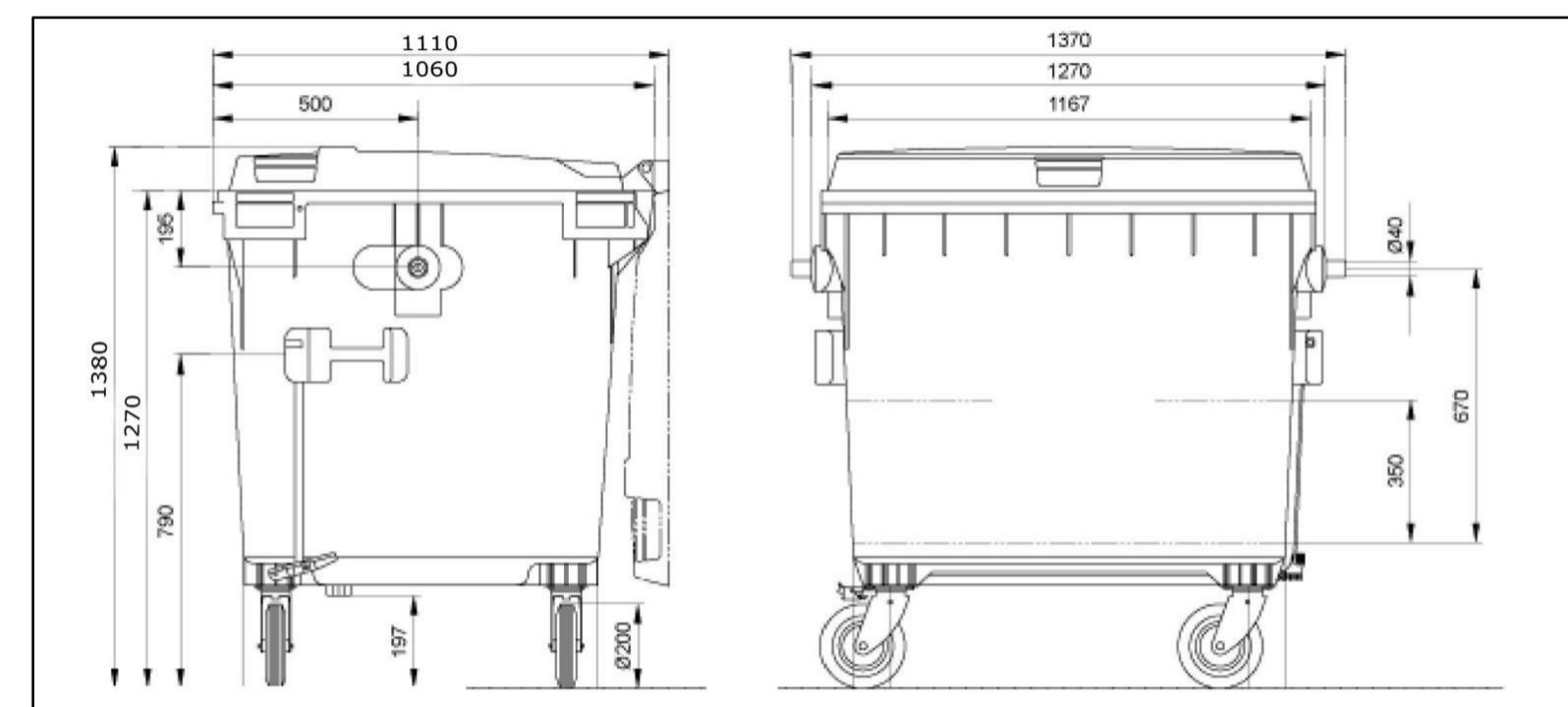
Front Elevation



Plan



1100 ltr Wheelie Bin



Plan

© **CGA**rchitects
 221 East Barnet Road,
 Barnet, Herts EN4 8QS
 Tel: 020 8449 5100
 Fax: 020 8449 5170

Client: Polyteck

Site: Centre Heights
 137 Finchley Rd
 London
 NW3 6JG

Scale: 1:25 @ A1 Drawn:
 Date: Mar. 2017

Title: Courtyard Bicycle Stand
 and Refuse Enclosure

Drwg. No. 982/28 Rev. #