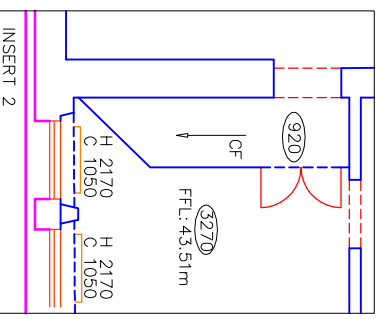
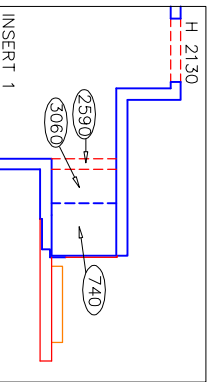
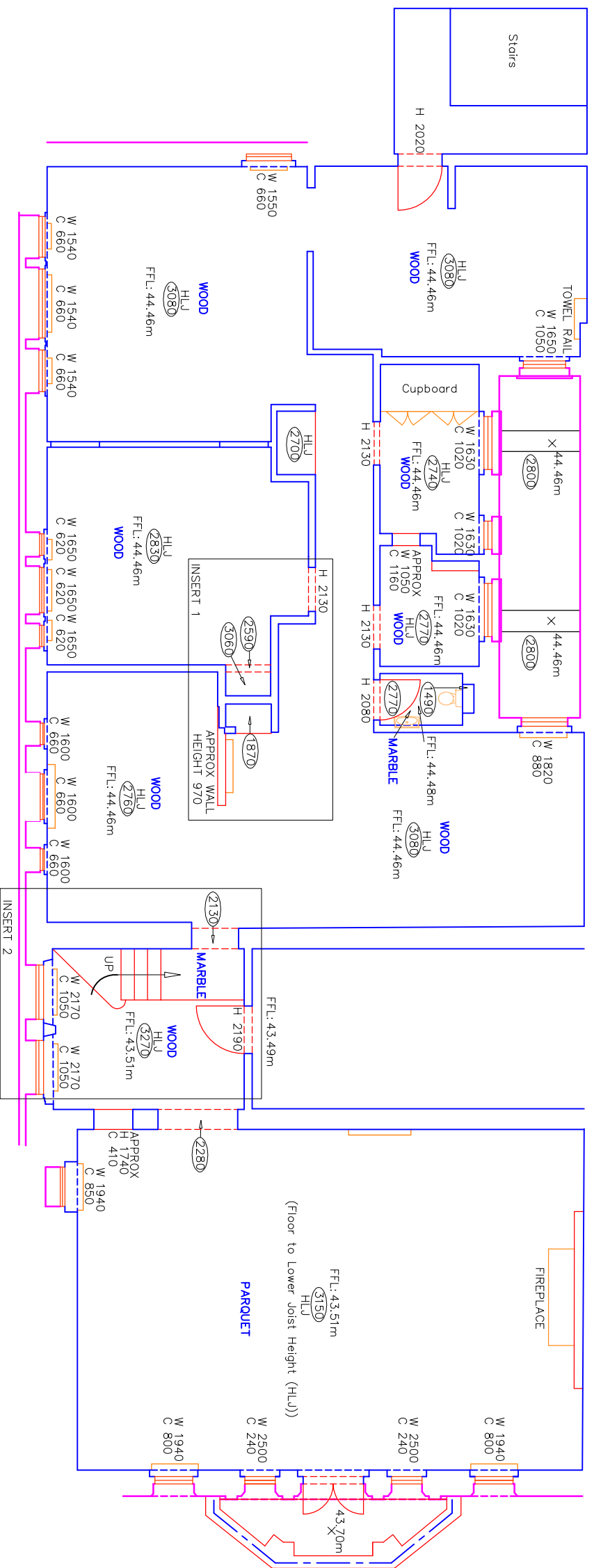


**Building Abbreviations**

BL	Basement Level	RWP	Rain Water Pipe
BSL	Basin Soffit Level	SL	Soffit Level
BS	Basin Sill	SP	Soil Pipe
SD	Sanitary Drain	SWP	Soil/Water Pipe
SP	Sanitary Pipe	VP	Vent Pipe
SPC	Damp Proof Course	W	Window Height from FFL
FFL	Finished Floor Level	H	Window Height from Cill
FCL	Finished Ceiling Level	H	Door Height
FLL	Floor to Lower Joist Height	H	Direction of Floor Joist Span
FLL	Floor to Ceiling Height		



**Notes**  
All dimensions are in millimetres unless otherwise specified

Rev	Check	Description	Date
5	-	-	-
4	-	-	-
3	-	-	-
2	-	-	-
1	-	-	-
0	-	First Complete Issue	-
	-	Preliminary - Not Complete	-
	OA		
	Check		

Copyright Warner Surveys

**WARNER SURVEYS**  
Land and Engineering Surveying Since 1919

Head Office: Unit 22, Theahall Lakes Bus, Park, Moulton Way, READING, RG7 4BS  
 T +44 (0)118 850 8334  
 London: G 3 Bedford House, 68-79 Fulham High St, LONDON, SW6 3JW  
 T +44 (0)203 651 7549  
 Bristol: 5th Floor 1 Temple Way, BRISTOL, BS2 0BY  
 Birmingham: The Walker Building, 58 Oxford St, Digbeth, BIRMINGHAM, B5 5NR  
 T +44(0)121 752 7220

www.warnersurveys.com  
 contact@warnersurveys.com  
 Warner Surveys  
 Member of the Institution of Civil Engineers  
 Member of the Institution of Structural Engineers  
 Member of the Institution of Mechanical Engineers

SURVEYED	EW	<b>Halg Construction Management Ltd</b>
DRAWN	EW	
SCALE	1:100	

**Flat 5, Cambridge Gate**

**TOPOGRAPHICAL SURVEY**

JOB No	DRAWING NUMBER
<b>L418/551</b>	<b>L418/0561/P/0001</b>
A3 Sheet - 420mm x 297mm	