

CI/SfB	(29)	(K2)
CAW P10		
Uniclass JP10:L68114		

## Product Information

### Description

FB750 is a lightweight 4 hour fire barrier comprising of a mineral fibre board with an uniquely identifiable coating of elastomeric, ablative water based sealant.

### Usage / Purpose

To reinstate service penetration openings within compartment walls and floors, stopping the potential path for fire and providing a thermal, fire, smoke and acoustic seal.

When used in conjunction with FS702, the FB750 board is suitable for sealing around the following service types: non-combustible pipes, cable trays, ladders and baskets (perforated or non-perforated), armoured cables, data cables, HV cable, cable bundles up to 100 mm, dampers and ductwork. Typical areas of use include: health and leisure facilities, schools, universities, commercial buildings, retail and industrial units.

### Available Sizes

1200 x 600 x 50mm

Tolerances: ±2.5%

140 kg/m<sup>3</sup>

### Packaging

Supplied individually in clearly marked bags.

### Availability

Direct from tremco illbruck.

Manufactured in the UK by tremco illbruck.

## Usage Guidelines

Always read SDS, method statement and relevant application detail prior to application.

### Preparation

- Clean all abutting surfaces, ensuring loose particles, oils, grease or corrosive material have been removed.
- Ensure all services passing through the compartment penetration are suitable for use with FB750 and have been installed to the satisfaction of all relevant parties.

- Identify all services types and ensure you have the correct products available (e.g. insulated pipes will require the use of FP302 and combustible pipes will require the use of FP160 or a similar Nullifire closer device).

### Installation

- Measure the size of the opening and relevant centre positions of all services penetrating the compartment opening. Transfer these measurements to the face of the FB750. For surface mounted, the required overlap is typically 75 mm.
- Ascertain the fewest number of cuts required and using a pad saw (or similar) cut the FB750 to enable installation.
- Mastic seal the areas of the opening that will contact the FB750 using FS702. Use the specified Nullifire product to all services in line with the proposed location of FB750.
- Install the cut pieces of FB750 into the opening ensuring a tight friction fit to all substrates, services or additional closer devices. Cut pieces must be bonded together using FS702 and must not be dry fitted.
- Repeat the above ensuring FB750 conforms to the relevant service types until the opening is sealed.
- Point and seal all joints and service abutments using FS702 as required to the full depth of any irregularities that may be evident to ensure a complete fire, smoke and acoustic seal.
- Apply a bead of FS702 to the perimeter edge of the FB750 to substrate joint to both sides.
- Ensure all services have been treated correctly in order to meet the required EI (integrity & insulation) of the compartment.
- If a double FB750 seal is to be utilised it is recommended joints should be staggered where possible.

# Nullifire

Smart Protection

## FB750

### Coated Batt

up to  
**240**  
mins



### Key Benefits Summary

- Certified to EN 1366-3:2009; ETA 17/0392
- BS 476 Pt 20/22 tested
- BS EN 1366-3 tested
- Unique traceability identifier
- Acoustic sealing
- Smoke sealing
- Air pressure tested up to 2000 Pa
- Suitable for use in solid and flexible wall constructions and in floors seals where load capability is not required
- Light weight
- Easy to cut

CE  
ETA 17/0392

certifire  
APPROVAL N° CF5343

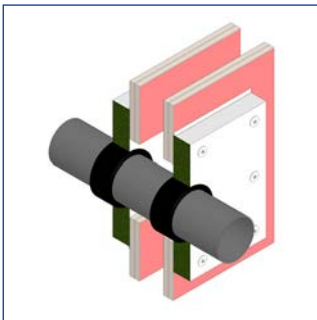


# FB750

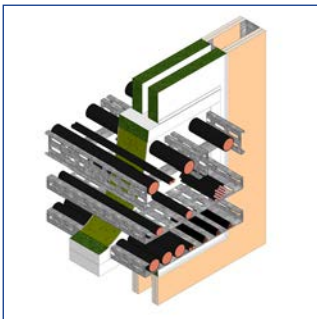
## Coated Batt

**Nullifire**  
Smart Protection

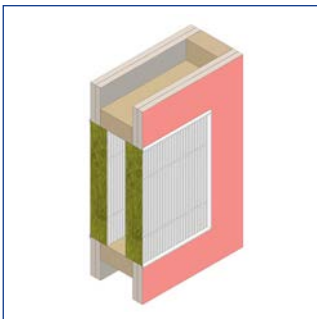
### Typical Details



Batt Box: 2 hours EI to full  
EN cable Set



Timber Stud Wall: up to 59 dB



Pattress Intubatt : Service receiving

### Storage

Store in dry conditions between -10°C and +70°C. Do not store directly on concrete floors.

### Shelf Life

Unlimited when stored as advised.

### Health & Safety Precautions

Safety data sheet must be read and understood before use.

### Technical Service

tremco illbruck has a team of experienced Technical Sales Representatives who provide assistance in the selection and specification of products. For more detailed information, service and advice, please call Customer Services on 01942 251400.

### Guarantee / Warranty

tremco illbruck products are manufactured to rigid standards of quality. Any product which has been applied (a) in accordance with tremco illbruck written instructions and (b) in any application recommended by tremco illbruck, but which is proved to be defective, will be replaced free of charge.

No liability can be accepted for the information provided in this leaflet although it is published in good faith and believed to be correct.

tremco illbruck Limited reserves the right to alter product specifications without prior notice, in line with Company policy of continuous development and improvement. It is a requirement of the installer to ensure suitability and compatibility of all elements before installation commences and that compliance can be achieved as required.