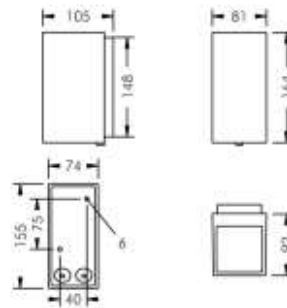


3903 Hampstead Parish Church Exterior

Luminaire Datasheets

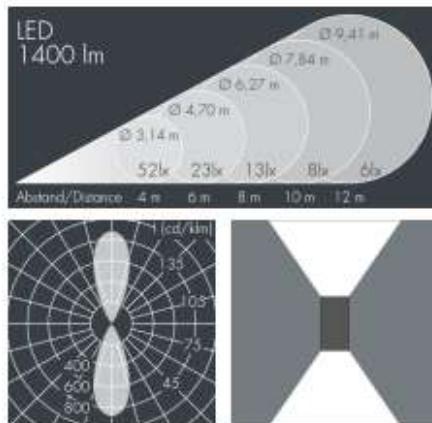
V1 Issued 190520



### Gemini 2

8 338 242 208

8 x 2,5 W, 1394 lm, 3000 K warm white, 1-10V, upright wide beam, down light wide beam up 45° / unten 45°



Customized solutions and modifications are possible: Special RAL, DB or NCS colours as polyester powder coat, luminaires in 2700 K and other colour temperatures and versions for high ambient temperature.

### Specification text

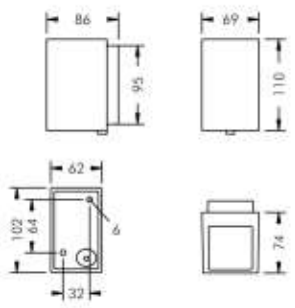
housing made of corrosion-resistant die-cast aluminium AISI12, polyester powder coated by high-quality and UV-stabilized coating process, Colour: black RAL 7021, all exterior parts are stainless steel, tempered high efficiency safety glass, anti-reflective coating from 1 side, dark screenprint, silicon gasket, wall box: 2 drilled holes  $\varnothing$  6 mm, spacing 75 mm, two cable entries for recessed or surface mounted cable  $\varnothing$  7-10 mm, cable gland: 2 x up to  $\varnothing$  7-10 mm, recessed or surface mounted cable, connecting terminal: 5 pole, highly efficient optics made of transparent thermoplastic for precise lighting tasks, integral driver (1-10V), CRI > 80, max 2 SDCM, service life L90/B10 > 50.000 h, beam angle (FWHM): up 45° / unten 45°, luminous flux: 1394 lm, wattage: 20 W, delivered lumens 70 lm/W, protection type IP65, protection class I, impact resistance IK08, windage area 0,017 m<sup>2</sup>, dimensions (LxHxW): 105 x 164 x 81 mm, weight 1.2 kg

The modular luminaire design makes the replacement of components possible. The product meets the demands of the applicable EU guidelines and product safety regulations and bears the CE mark.



### Specification

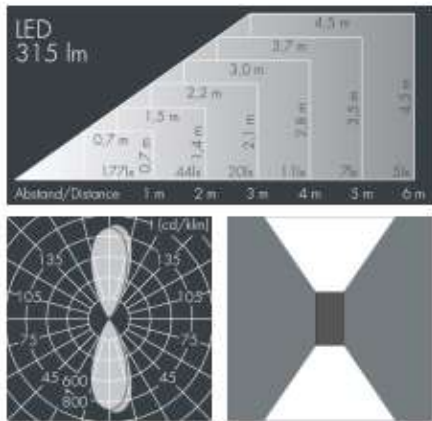
Wattage	20 W	Beam angle (FWHM)	up 45° / unten 45°
Delivered lumens	70 lm/W	Housing colour	black RAL 7021
Light source	LED 3000 K	Power supply cable	$\varnothing$ 7 - 10 mm
Color Rendering Index	CRI > 80	Protection type	IP65
Colour tolerance	max 2 SDCM	Protection class	I
Lifetime to 25° C	L90/B10 > 50.000 h	Impact resistance	IK08
Control gear	1-10V	Windage area	0,017m <sup>2</sup>
Input voltage AC	220 - 240 V	Dimensions	105 x 164 x 81 mm
Input voltage DC	195 - 250 V	Weight	1,20 kg
Voltage protection	2 kV L/N   4 kV L/PE	Max. ambient temperature ta	40°
Luminaires per B16A / C16A	50 / 85	Energy efficiency class	A++, A+, A



**Gemini 1**

8 337 242 008

2 x 2,5 W, 313 lm, 3000 K warm white, upright wide beam, down light wide beam



Customized solutions and modifications are possible: Special RAL, DB or NCS colours as polyester powder coat, luminaires in 2700 K and other colour temperatures and versions for high ambient temperature.

**Specification text**

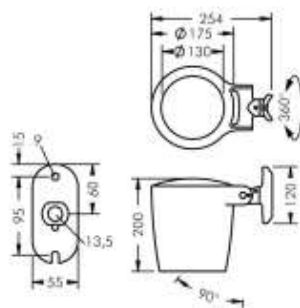
housing made of corrosion-resistant die-cast aluminium AISI110, polyester powder coated by high-quality and UV-stabilized coating process, Colour: black RAL 7021, all exterior parts are stainless steel, tempered high efficiency safety glass, anti-reflective coating from 1 side, dark screenprint, silicon gasket, wall box: 2 drilled holes Ø 6 mm, spacing 64 mm, one cable entry for recessed or surface mounted cable Ø 7-10 mm, cable gland: Ø 7-10 mm, recessed or surface mounted cable, connecting terminal: 3 pole, highly efficient optics made of transparent thermoplastic for precise lighting tasks, integral driver (AC/DC), CRI > 80, max 2 SDCM, service life L90/B10 > 50.000 h, Main beam angle: , luminous flux: 313 lm, wattage: 5 W, delivered lumens 63 lm/W, protection type IP65, protection class I, impact resistance IK08, windage area 0,01 m², dimensions [LxHxW]: 86 x 110 x 69 mm, weight 0.6 kg

The modular luminaire design makes the replacement of components possible. The product meets the demands of the applicable EU guidelines and product safety regulations and bears the CE mark.



**Specification**

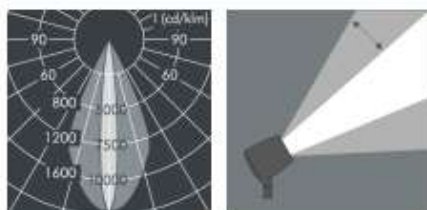
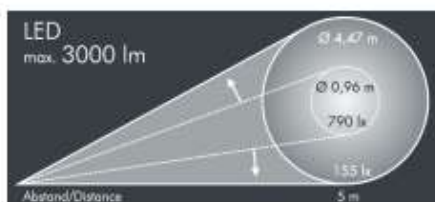
Wattage	5 W	Housing colour	black RAL 7021
Delivered lumens	63 lm/W	Power supply cable	Ø 7 - 11 mm
Light source	LED 3000 K	Protection type	IP65
Color Rendering Index	CRI > 80	Protection class	I
Colour tolerance	max 2 SDCM	Impact resistance	IK08
Lifetime to 25° C	L90/B10 > 50.000 h	Windage area	0,01m²
Control gear	on / off	Dimensions	86 x 110 x 69 mm
Input voltage AC	100 - 240 V	Weight	0,60 kg
Input voltage DC	135 - 335 V	Max. ambient temperature ta	40°
Voltage protection	2 kV L/N   2 kV I/PE	Energy efficiency class	A++, A+, A
Luminaires per B16A / C16A	157 / 317		



### Monospot 3

8 903 246 168

36 W, 2211 lm, 3000 K warm white, DALI, Vario Optic 11 – 48°



Customized solutions and modifications are possible: Special RAL, BB or NCS colours as polyester powder coat, luminaires in 2700 K and other colour temperatures and versions for high ambient temperature.

### Specification text

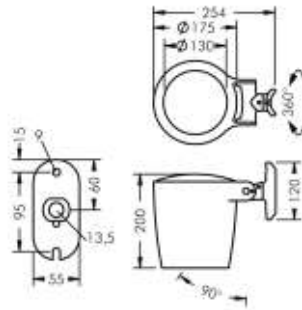
housing made of corrosion-resistant die-cast aluminium AlSi12, polyester powder coated by high-quality and UV-stabilized coating process, Colour: black RAL 7021, all exterior parts are stainless steel, tempered safety glass, anti-reflective coating from 1 side, dark screenprint, silicon gasket, for installation on poles  $\varnothing$  60 - 100 mm, tiltable base made of powder coated aluminium, 2 drilled holes  $\varnothing$  9 mm, spacing 95 mm, 1 centre hole  $\varnothing$  13.5 mm, tilt range: 90°, 360° adjustable, cable gland: M20, connecting terminal: 5 pole, lens for batwing light distribution made of highly efficient optical silicon, integral, dimmable driver (DALI), CRI > 80, max 2 SDCM, service life L90/B10 > 50.000 h, beam angle (FWHM): 11 – 48°, luminous flux: 2211 lm, wattage: 36 W, delivered lumens 61 – 83 lm/W, protection type IP67, protection class I, impact resistance IK08, windage area 0,049 m<sup>2</sup>, dimensions:  $\varnothing$  175 mm, width 200 mm, weight 3,9 kg

The modular luminaire design makes the replacement of components possible. The product meets the demands of the applicable EU guidelines and product safety regulations and bears the CE and ENEC marks.



### Specification

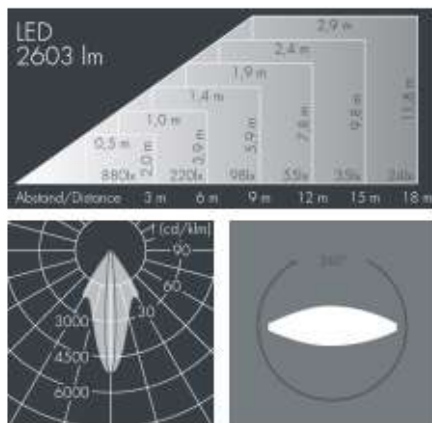
Wattage	36 W	Beam angle (FWHM)	11 – 48°
Delivered lumens	61 – 83 lm/W	Housing colour	black RAL 7021
Light source	LED 3000 K	Power supply cable	$\varnothing$ 6 – 11 mm
Color Rendering Index	CRI > 80	Protection type	IP67
Colour tolerance	max 2 SDCM	Protection class	I
lifetime ta 25° C	L90/B10 > 50.000 h	Impact resistance	IK08
Control gear	DALI	Windage area	0,049m <sup>2</sup>
Input voltage AC	110 – 240 V	Dimensions	$\varnothing$ 175 mm, width 200 mm
Input voltage DC	190 – 250 V	Weight	3,90 kg
Voltage protection	4 kV L/N   5 kV L/PE	Max. ambient temperature ta	35°
Luminaires per B16A / C16A	30 / 51	Energy efficiency class	A++, A+, A



### Monospot 3

8 903 246 178

36 W, 2603 lm, 3000 K warm white, DALI,  
linear, rotatable 36° / 9°



Customized solutions and modifications are possible: Special RAL, DB or NCS colours as polyester powder coat, luminaires in 5700 K and other colour temperatures and versions for high ambient temperature.

### Specification text

housing made of corrosion-resistant die-cast aluminium AlSi12, polyester powder coated by high-quality and UV-stabilized coating process, Colour: black RAL 7021, all exterior parts are stainless steel, tempered safety glass, anti-reflective coating from 1 side, silicon gasket, for installation on poles  $\varnothing$  60 - 100 mm, tiltable base made of powder coated aluminium, 2 drilled holes  $\varnothing$  9 mm, spacing 95 mm, 1 centre hole  $\varnothing$  13.5 mm, tilt range: 90°, 360° adjustable, cable gland: M20, connecting terminal: 5 pole, highly efficient faceted rotationally symmetrical reflector, integral, dimmable driver (DALI), CRI > 80, max 2 SDCM, service life L90/B10 > 50.000 h, beam angle (FWHM): 36° / 9°, luminous flux: 2603 lm, wattage: 36 W, delivered lumens 72 lm/W, protection type IP67, protection class I, impact resistance IK08, windage area 0,049 m<sup>2</sup>, dimensions:  $\varnothing$  175 mm, width 200 mm, weight 3.4 kg

The modular luminaire design makes the replacement of components possible. The product meets the demands of the applicable EU guidelines and product safety regulations and bears the CE and ENEC marks.

**IP67** **IK08**

### Specification

Wattage	36 W	Beam angle (FWHM)	36° / 9°
Delivered lumens	72 lm/W	Housing colour	black RAL 7021
light source	LED 3000 K	Power supply cable	$\varnothing$ 6 - 11 mm
Color Rendering Index	CRI > 80	Protection type	IP67
Colour tolerance	max 2 SDCM	Protection class	I
lifetime ta 25° C	L90/B10 > 50.000 h	Impact resistance	IK08
Control gear	DALI	Windage area	0,049m <sup>2</sup>
Input voltage AC	110 - 240 V	Dimensions	$\varnothing$ 175 mm, width 200 mm
Input voltage DC	190 - 250 V	Weight	3,40 kg
Voltage protection	4 kV U/N   5 kV L/PE	Max. ambient temperature ta	35°
luminaires per B16A / C16A	30 / 51	Energy efficiency class	A++, A+, A



## iWay rotondo

Design Jean Michel Wilmotte

iGuzzini

Last information update: March 2019



## Bollard D-170mm H-250mm Warm White Led with electronic ballast and symmetrical optic

**Product code**  
BW75

**Technical description**

Outdoor direct light luminaire which can be planted in the ground, designed to use warm white LED lamps, with symmetrical optic. The product consists of the lamp assembly and the body. The cylindrical body is made of extruded aluminium with chromate coating treatment and painting. It houses the three stainless steel rods fixed to the base, giving the product a high level of resistance to impacts. The product is anchored to the ground by the fixing base made of corrosion-resistant low copper content die-cast aluminium alloy. The diffuser screen is made of transparent polycarbonate, and is secured to the component-holding box by a die-cast aluminium internal fixing ring. The sheet aluminium lamp cover guard includes housings for accessories. The ring for coupling the cover is made of die-cast aluminium with chromate coating treatment and painting. The top of the luminaire is closed by a die-cast aluminium outer cover, with a bayonet catch and a fixing screw. The screw can be removed with an Allen key (or with a special key upon request). The super-pure aluminium reflector is fixed to the inner cover plate by captive screws. The component-holding box is made of die-cast aluminium. All accessible parts have a top temperature of 75° C. All external screws used are made of A2 stainless steel.

**Installation**

Can be installed directly using Fischer fixings (on the ground), or using a fixing base and fixing plate with clamps coated in Dacromet, for an additional guarantee against corrosion (to be ordered separately).

**Dimension (mm)**

Ø170x250

**Colour**

Grey (15)

**Weight (Kg)**

4.26

**Mounting**

ground anchored

**Wiring**

Inside the luminaire is the removable component-holding plate, secured to the box with captive screws and the quick coupling for the electrical connections. Electronic control gear. A wiring box fitted with a double PG for pass-through wiring is available on request. Complete with rubber output cable H05RN-F 2x1mm L=1700 mm. Accessories available for electrical connections, to be ordered separately, include a IP68 (BZG8) junction box or linear connector IP68 (BZH0).

**Notes**

Product complete with LED lamp.

Complies with EN60598-1 and pertinent regulations



IK10



IP66

**Product configuration: BW75****Product characteristics**

Total lighting output [Lm]: 840  
Total power [W]: 24.5  
Luminous efficacy [Lm/W]: 34.3  
Life Time: 66,000h - L80 - B10 (Ta 25°C)  
Ambient temperature range: from -20°C to +35°C.

Total luminous flux at or above an angle of 90° [Lm]: 55  
Emergency luminous flux [Lm]: /  
Voltage [V]: -  
Life Time: 66,000h - L80 - B10 (Ta 40°C)  
Number of optical assemblies: 1

**Optical assembly Characteristics Type 1**

Light Output Ratio (L.O.R.) [%]: 48  
Lamp code: LED  
ZVEI Code: LED  
Nominal power [W]: 21  
Nominal luminous [Lm]: 1750  
Lamp maximum intensity [cd]: /  
Beam angle [°]: /

Number of lamps for optical assembly: 1  
Socket: /  
Ballast losses [W]: 3.5  
Colour temperature [K]: 3000  
CRI: 80  
Wavelength [Nm]: /  
MacAdam Step: 3

