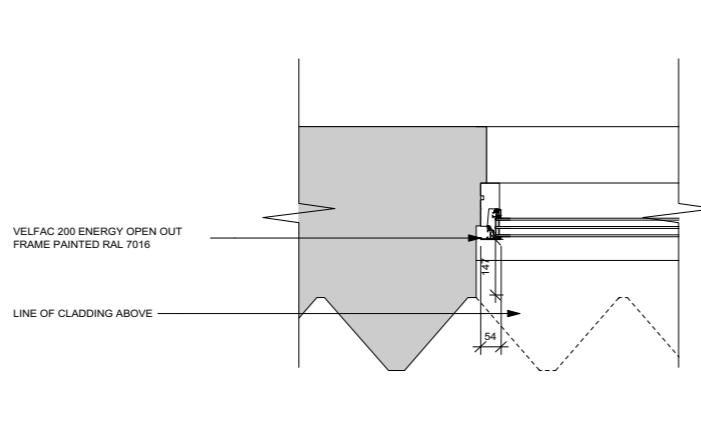
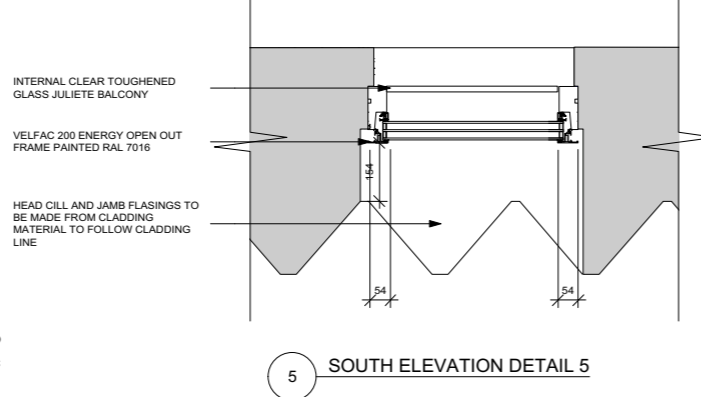
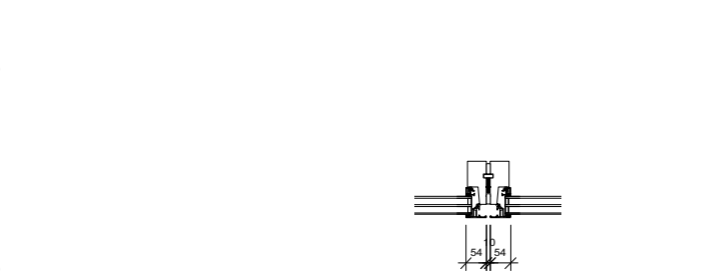


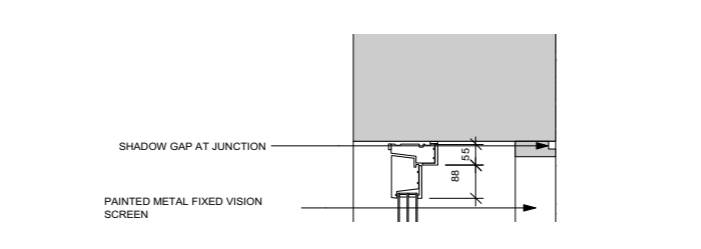
4 SOUTH ELEVATION DETAIL 4



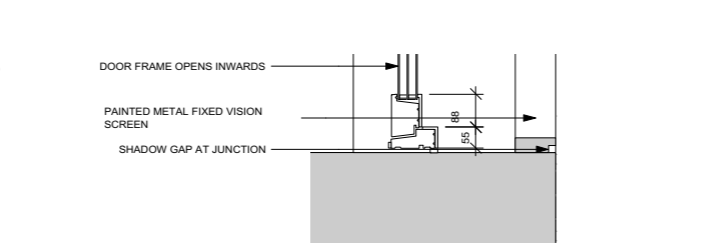
6 SOUTH ELEVATION DETAIL 6



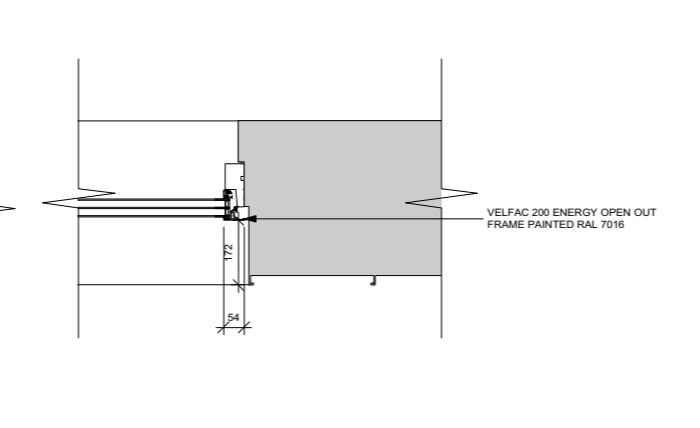
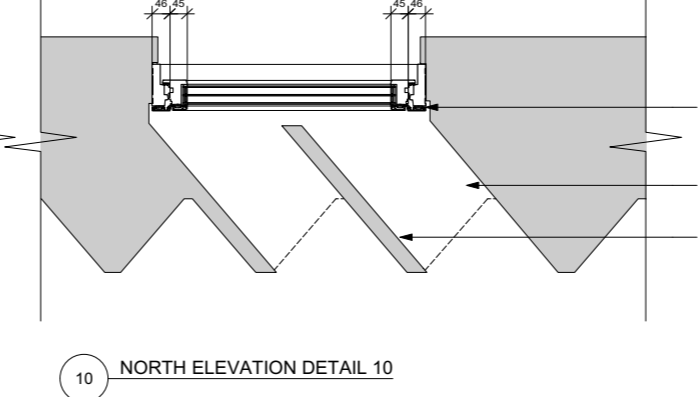
7 VERTICAL COUPLING DETAIL 7



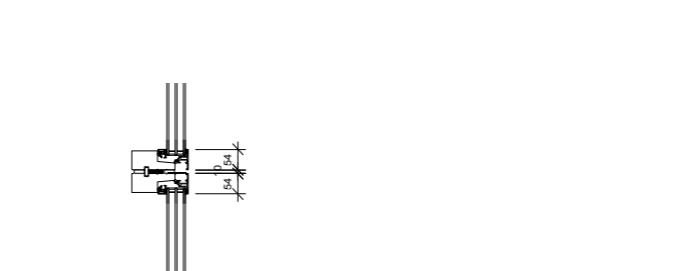
8 DOOR HEAD DETAIL 8



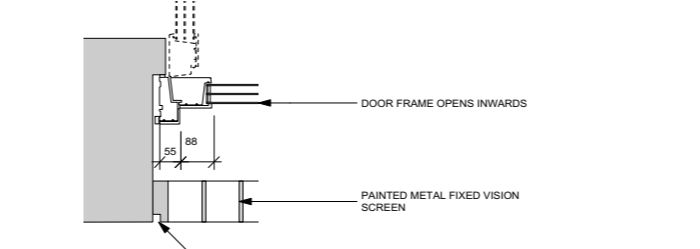
9 DOOR THRESHOLD DETAIL 9



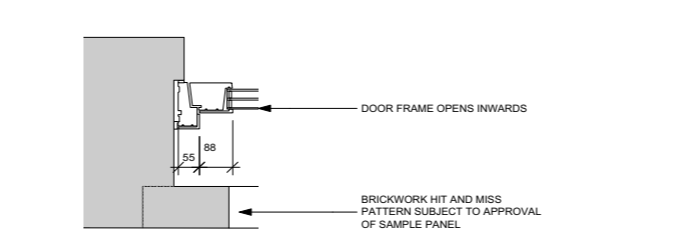
11 NORTH ELEVATION DETAIL 11



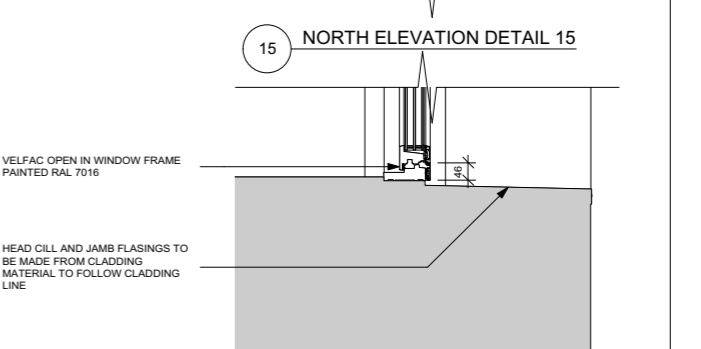
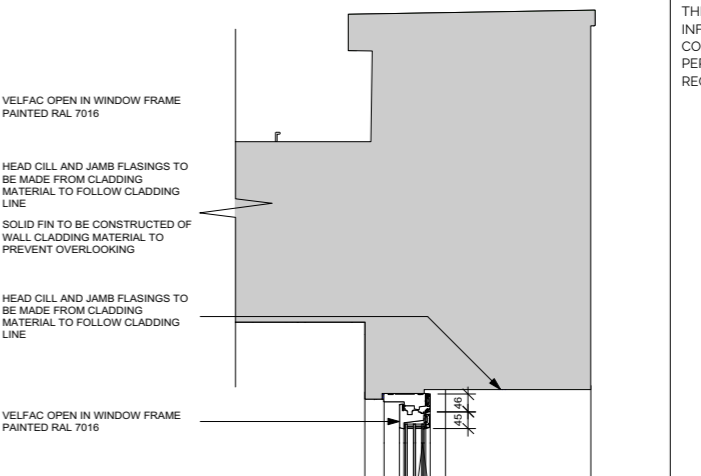
12 HORIZONTAL COUPLING DETAIL 12



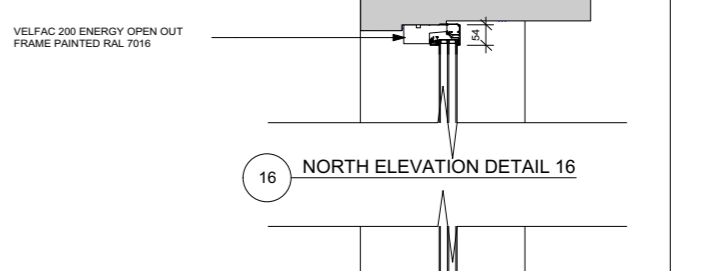
13 DOOR JAMB BEHIND SCREEN DETAIL 13



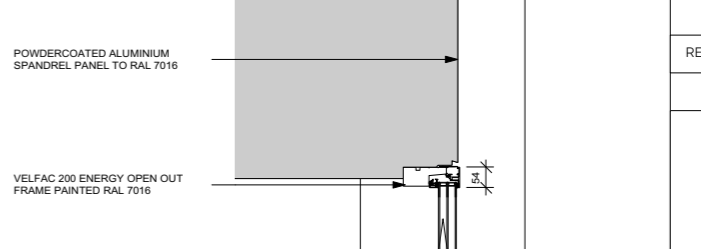
14 DOOR JAMB BEHIND BRICK PANEL DETAIL 14



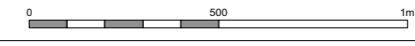
16 NORTH ELEVATION DETAIL 16



17 NORTH ELEVATION DETAIL 17



18 NORTH ELEVATION DETAIL 18



REV.	DATE	DESCRIPTION
------	------	-------------

THE OLD DAIRY  
WAKEFIELD STREET

PLANNING CONDITION NO.3  
WINDOW DETAILS

DRNG No 1250-20-004	SCALE 1:10 @ A1	DATE MAY - 18
------------------------	--------------------	------------------



5 ST JAMES'S SQUARE  
LONDON SW1Y 4JU  
T 020 7451 0955 mail@stanhopegate.co.uk  
www.stanhopegatearchitecture.com