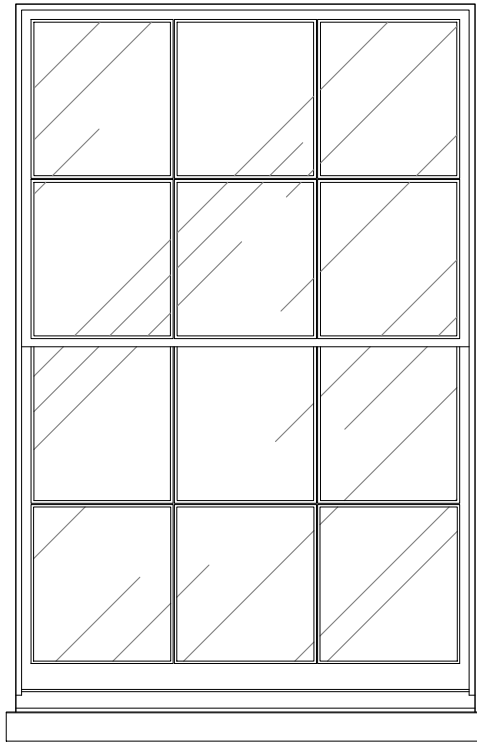
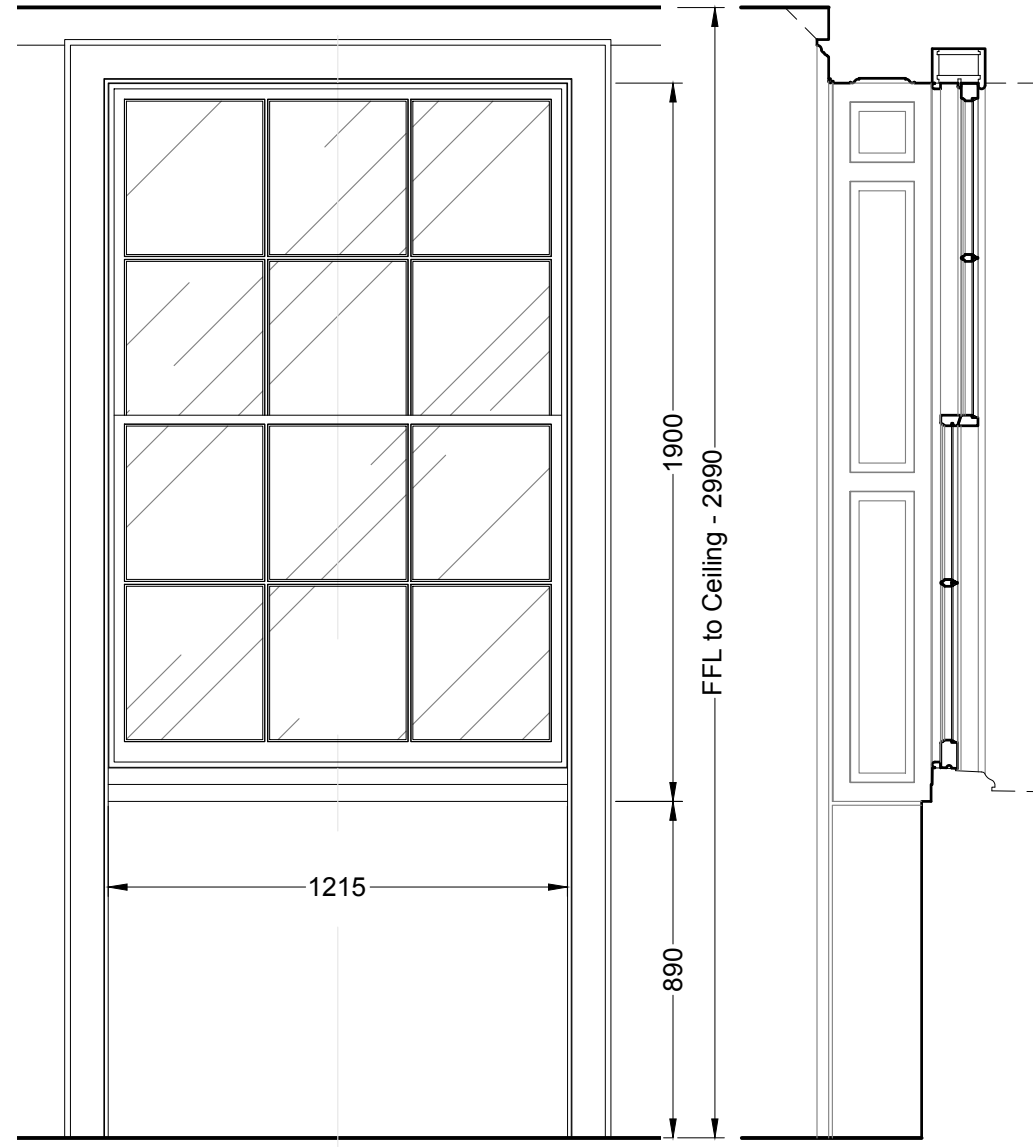


Jamb/Meeting Stile Detail
1:5

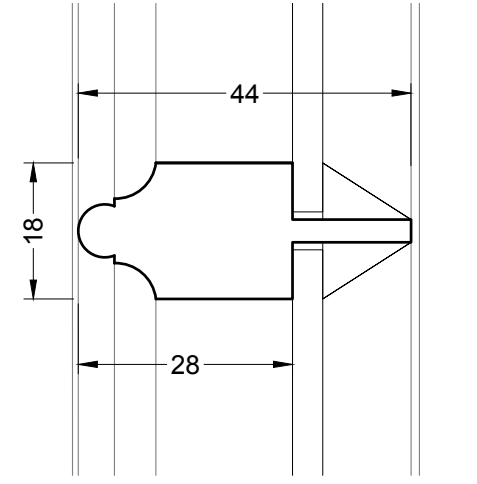


External Elevation
1:20



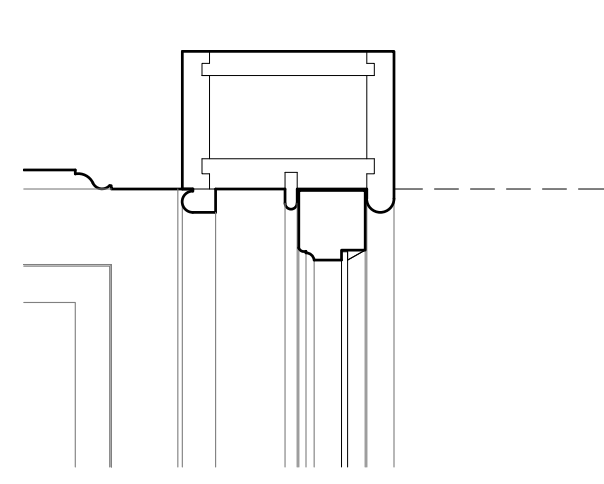
Internal Elevation
1:20

Window Section
1:20

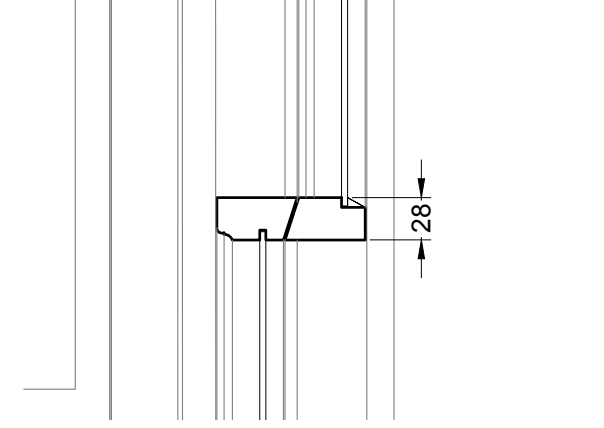


Glazing Bar
1:1

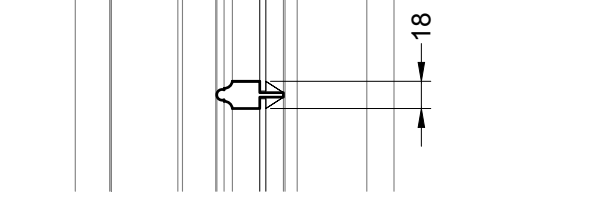
Notes:
See drawing 6240/W/107 for details



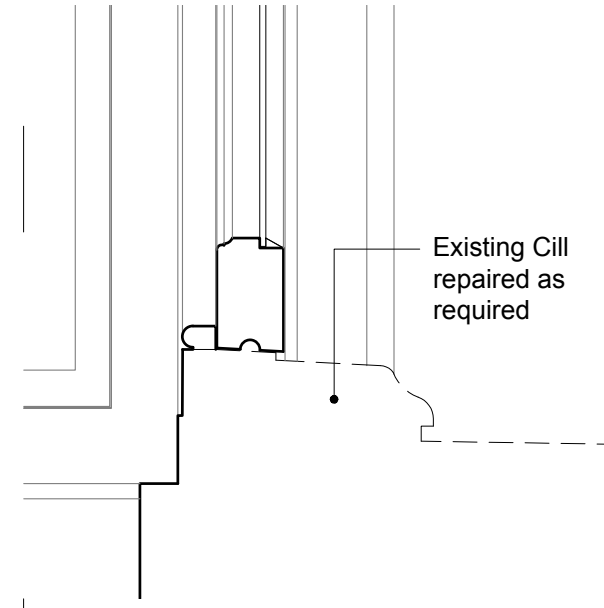
Head Detail
1:5



Meeting Stile
1:5



Glazing bar
1:5



Cill Detail
1:5

Rev. --

No. 6240/W/105

No. 6 Fitzroy Square

PROPOSED - Second Floor Windows

Scale 1:20, 1:5 & FS @ A3 Size

Date June 2019

Drawn REJ

RUSSELL TAYLOR ARCHITECTS

www.rtarcs.com

TEL: 020 7261 1984

TEL: 01503 273 092

mail@rtarcs.com

LONDON

CORNWALL

© Russell Taylor Architects own the copyright to this drawing and design

