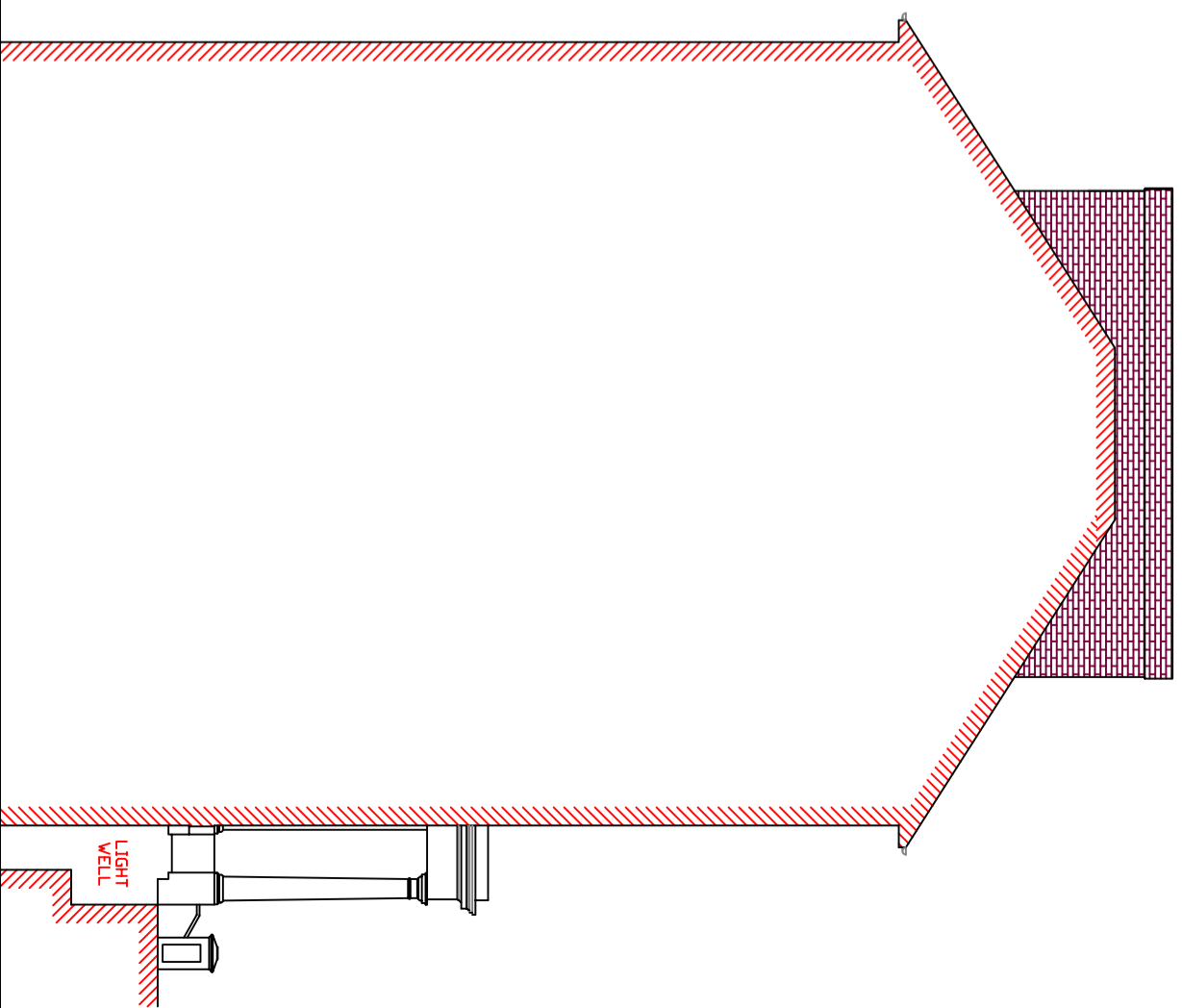
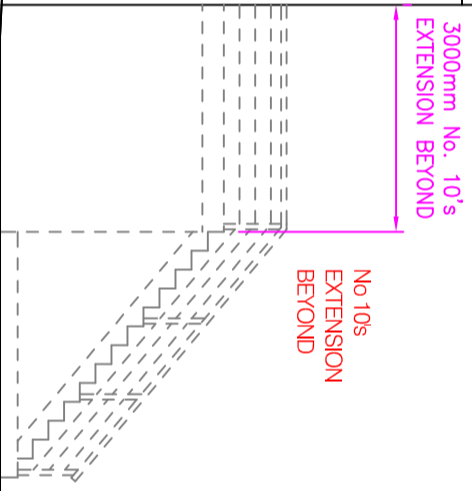


EXISTING SIDE ELEVATION



EXISTING SIDE ELEVATION

 HOMES DESIGN		40 WISE LANE MILL HILL LONDON NW7 2RE email: info@homedesigntd.co.uk www.homedesigntd.co.uk	
title EXISTING FLANK WALL & PARTY WALL SIDES' ELEVATIONS		project MAISONETTE BASEMENT & GROUND FLOOR FLAT 9 THURLOW ROAD - HAMPSTEAD NW3 5PJ	
drawing no HD1139/8002	rev. scale 1:100 @ A3	contract no. HD1139	date 05/2019
drawn by R. L			

