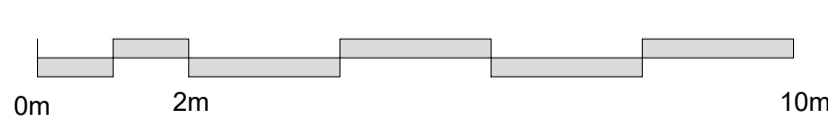
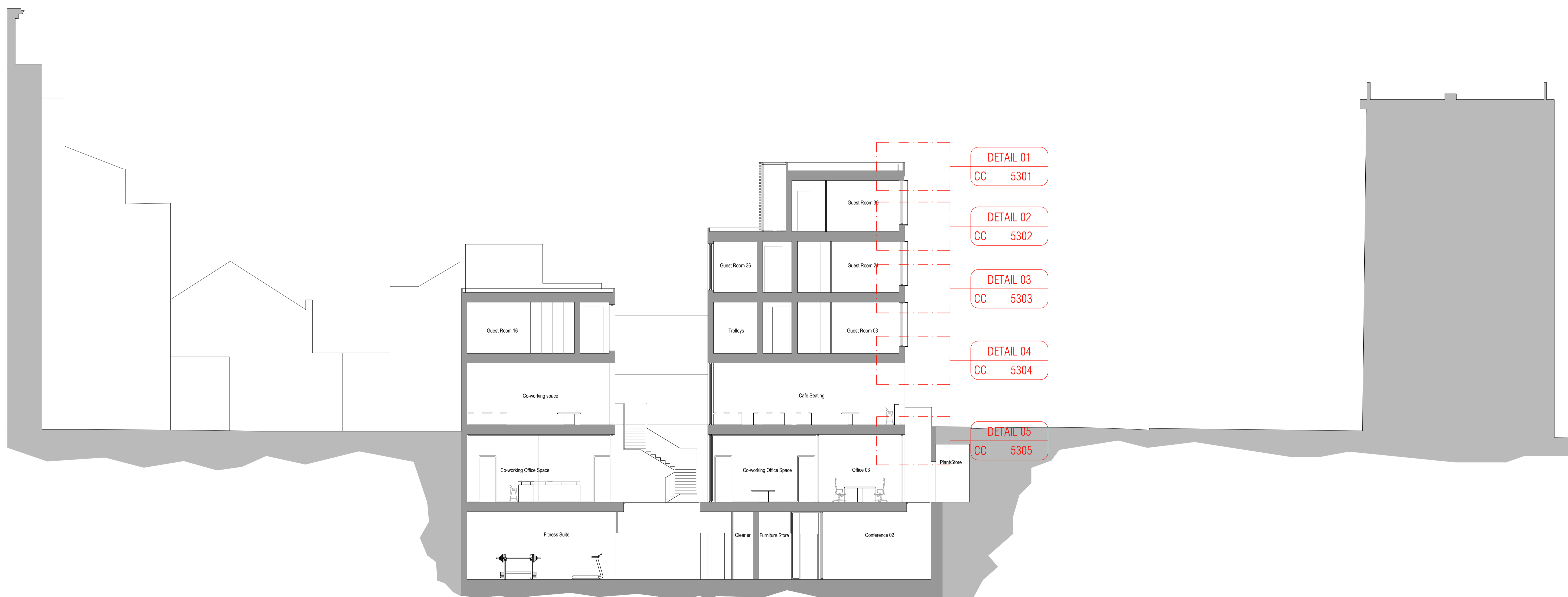


Key Plan 1/500 @A1



NOTES

- Do not scale off these drawings. Dimensions govern.
- All dimensions are given in millimetres (mm) unless otherwise noted.
- All dimensions shall be verified on site before proceeding with the work contractor before construction and fabrication commences.
- Workmanship and materials to be accordance with the relevant current British Standard Codes of Practice and the Local Authorities requirements.
- During construction the contractor shall be responsible for maintaining the structure in a stable condition.
- These drawings are to be read in conjunction with all other contract documentation and other consultants documentation.
- If in doubt, ask!

PL-01	16/05/2019	Planning amendments	Jl
Rev	Date	Reason for Issue	ch'd

ambigram architects

Studio 2.04, 60 Gray's Inn Road
London WC1X 8AQ

www.ambigramarchitects.com
info@ambigramarchitects.com

© Copyright 2019

ambigram architects ltd

7abc Bayham St

Kings Cross,
London, NW1 0EY

Project

Section CC Detail

Title

aa_1704

Job number

May 2019

Date

D-PL-P-5300

Drawing no

Jl

Drawn

P-01

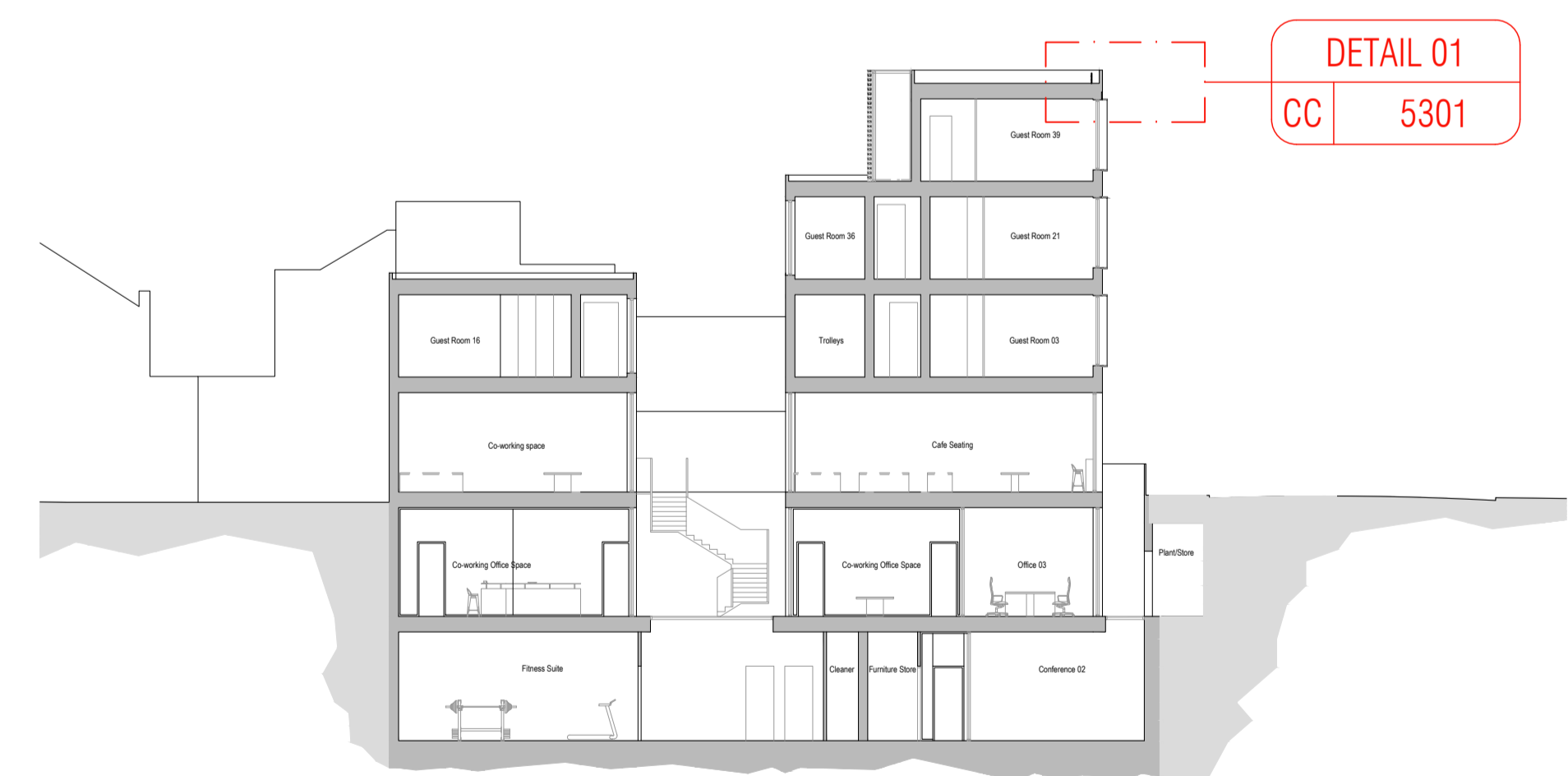
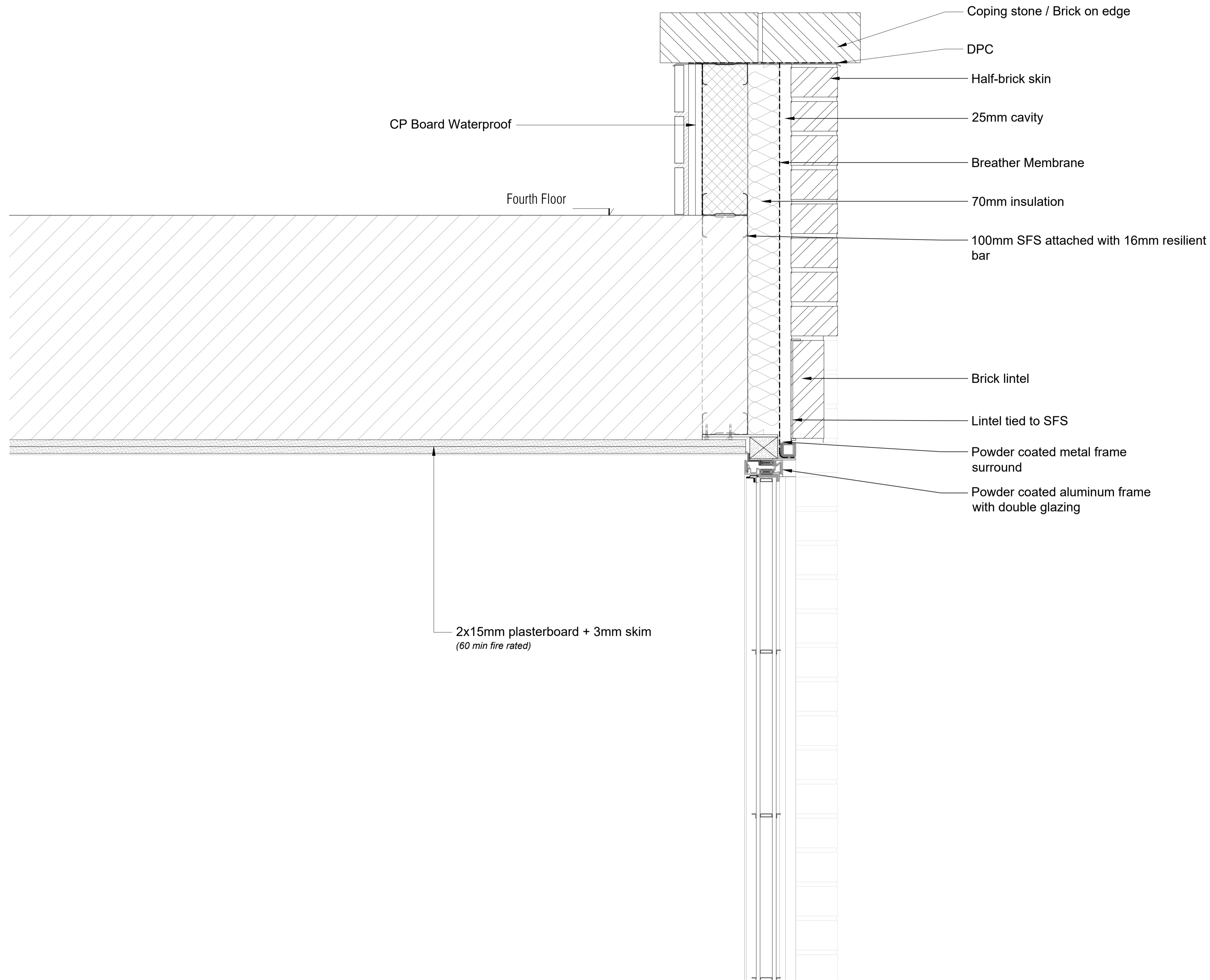
Revision

1:100_@A1

1:200_@A3

Scale

10
20
30
40
50
60
70
80
90
100
150
200
250
300
350
400
450
500



DETAIL 01
CC 5301

Key Section CC 1/200 @A1 - 1/400 @A3

NOTES

- Do not scale off these drawings. Dimensions govern.
- All dimensions are given in millimetres (mm) unless otherwise noted.
- All dimensions shall be verified on site before proceeding with the work contractor before construction and fabrication commences.
- Workmanship and materials to be accordance with the relevant current British Standard Codes of Practice and the Local Authorities requirements.
- During construction the contractor shall be responsible for maintaining the structure in a stable condition.
- These drawings are to be read in conjunction with all other contract documentation and other consultants documentation.
- If in doubt, ask!

Rev	Date	Reason for Issue	ch'd
PL-01	16/05/2019	Planning amendments	Jl

ambigram architects

Studio 2.04, 60 Gray's Inn Road
London WC1X 8AQ

www.ambigramarchitects.com
info@ambigramarchitects.com

© Copyright 2019

ambigram architects ltd

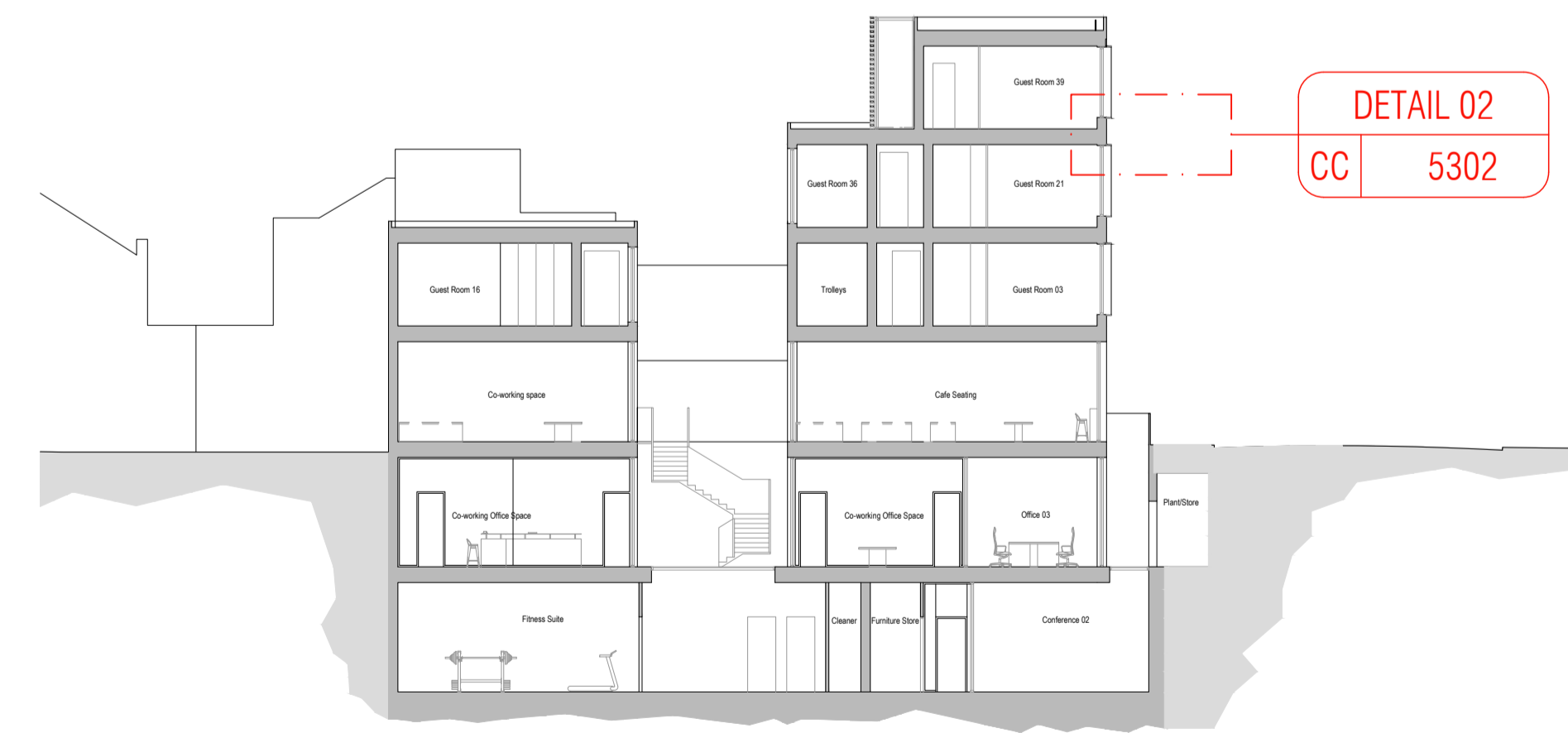
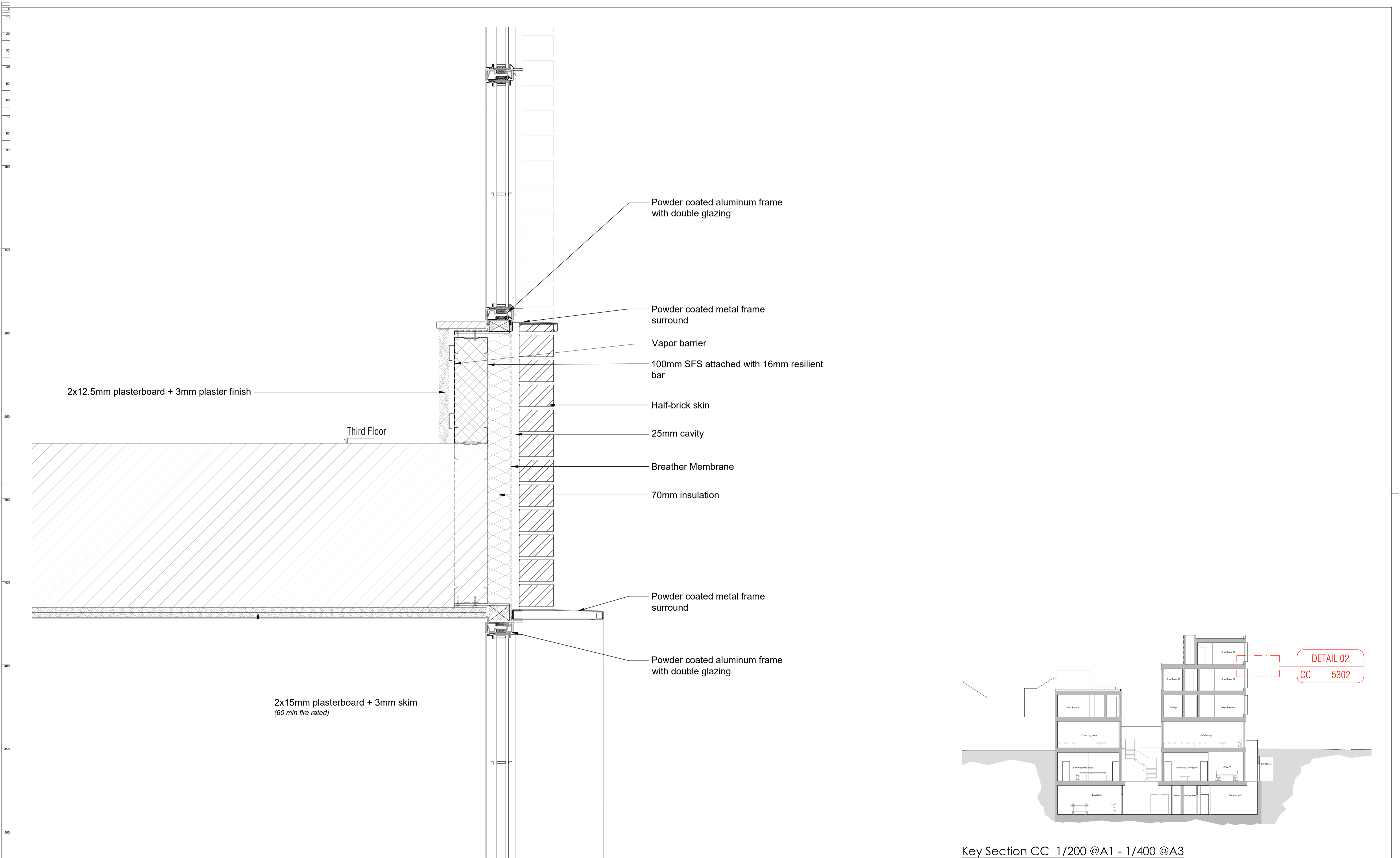
7abc Bayham St
Kings Cross,
London, NW1 0EY

Project
CC - East Elevation - Third
Floor Roof Detail

Title

aa_1704
Job number
May 2019
Date
D-PL-P-5301
Drawing no

Jl P-01
Drawn Revision
1:5_@A1
1:10_@A3
Scale



DETAIL 02
CC 5302

Key Section CC 1/200 @A1 - 1/400 @A3

NOTES

- Do not scale off these drawings. Dimensions govern.
- All dimensions are given in millimetres (mm) unless otherwise noted.
- All dimensions shall be verified on site before proceeding with the work contractor before construction and fabrication commences.
- Workmanship and materials to be accordance with the relevant current British Standard Codes of Practice and the Local Authorities requirements.
- During construction the contractor shall be responsible for maintaining the structure in a stable condition.
- These drawings are to be read in conjunction with all other contract documentation and other consultants documentation.
- If in doubt, ask!

Rev	Date	Reason for Issue	ch'd
PL-01	16/05/2019	Planning amendments	Jl

ambigram architects

Studio 2.04, 60 Gray's Inn Road
London WC1X 8AQ

www.ambigramarchitects.com
info@ambigramarchitects.com

7abc Bayham St
Kings Cross,
London, NW1 0EY

Project
**CC - East Elevation - Third
Floor Detail**

aa_1704

Job number

May 2019

Date

D-PL-P-5302

Drawing no

Jl

Drawn

1:5_@A1

1:10_@A3

Scale

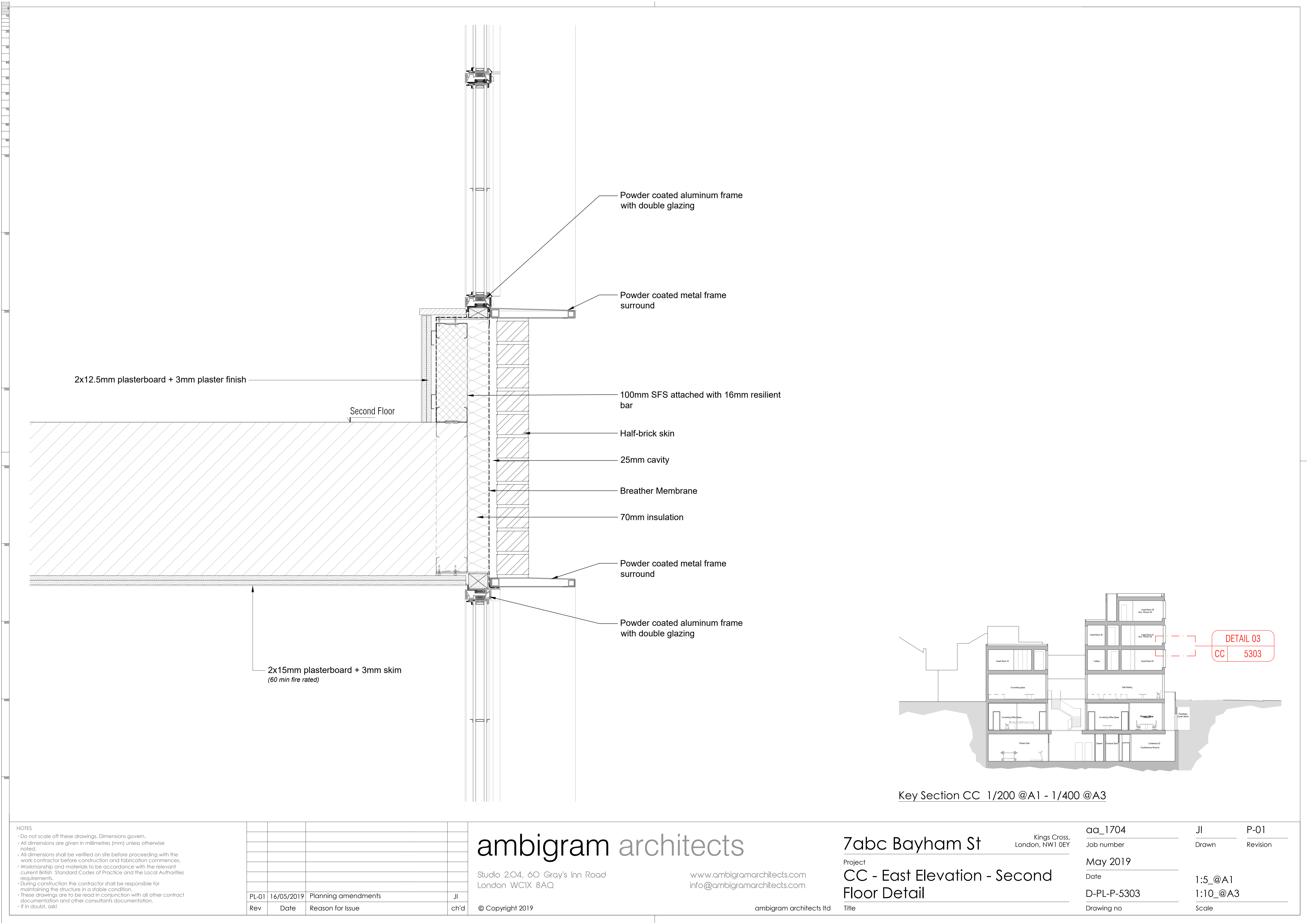
P-01

Revision

© Copyright 2019

ambigram architects ltd

Title



2x12.5mm plasterboard + 3mm plaster finish

Second Floor

2x15mm plasterboard + 3mm skim
(60 min fire rated)

Powder coated aluminum frame with double glazing

Powder coated metal frame surround

100mm SFS attached with 16mm resilient bar

Half-brick skin

25mm cavity

Breather Membrane

70mm insulation

Powder coated metal frame surround

Powder coated aluminum frame with double glazing



Key Section CC 1/200 @A1 - 1/400 @A3

NOTES

- Do not scale off these drawings. Dimensions govern.
- All dimensions are given in millimetres (mm) unless otherwise noted.
- All dimensions shall be verified on site before proceeding with the work contractor before construction and fabrication commences.
- Workmanship and materials to be accordance with the relevant current British Standard Codes of Practice and the Local Authorities requirements.
- During construction the contractor shall be responsible for maintaining the structure in a stable condition.
- These drawings are to be read in conjunction with all other contract documentation and other consultants documentation.
- If in doubt, ask!

Rev	Date	Reason for Issue	ch'd
PL-01	16/05/2019	Planning amendments	Jl

ambigram architects

Studio 2.04, 60 Gray's Inn Road
London WC1X 8AQ

www.ambigramarchitects.com
info@ambigramarchitects.com

© Copyright 2019

ambigram architects ltd

7abc Bayham St

Kings Cross,
London, NW1 0EY

Project

CC - East Elevation - Second Floor Detail

Title

aa_1704

Job number

May 2019

Date

D-PL-P-5303

Drawing no

Jl

Drawn

1:5_@A1

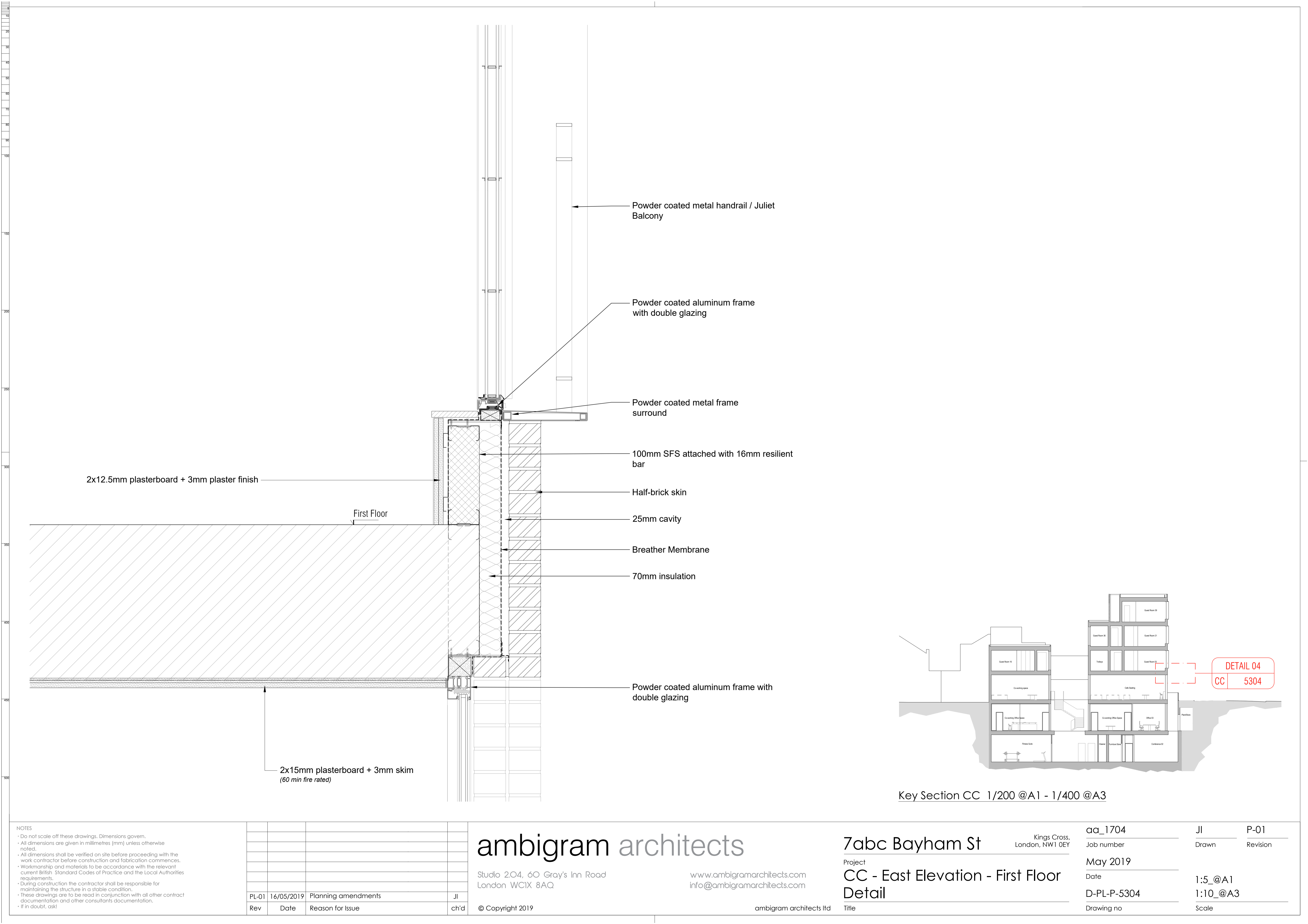
1:10_@A3

Scale

P-01

Revision

DETAIL 03
CC 5303



2x12.5mm plasterboard + 3mm plaster finish

First Floor

Powder coated metal handrail / Juliet
Balcony

Powder coated aluminum frame
with double glazing

Powder coated metal frame
surround

100mm SFS attached with 16mm resilient
bar

Half-brick skin

25mm cavity

Breather Membrane

70mm insulation

Powder coated aluminum frame with
double glazing

2x15mm plasterboard + 3mm skim
(60 min fire rated)



DETAIL 04
CC 5304

Key Section CC 1/200 @A1 - 1/400 @A3

NOTES

- Do not scale off these drawings. Dimensions govern.
- All dimensions are given in millimetres (mm) unless otherwise noted.
- All dimensions shall be verified on site before proceeding with the work contractor before construction and fabrication commences.
- Workmanship and materials to be accordance with the relevant current British Standard Codes of Practice and the Local Authorities requirements.
- During construction the contractor shall be responsible for maintaining the structure in a stable condition.
- These drawings are to be read in conjunction with all other contract documentation and other consultants documentation.
- If in doubt, ask!

Rev	Date	Reason for Issue	ch'd
PL-01	16/05/2019	Planning amendments	Jl

ambigram architects

Studio 2.04, 60 Gray's Inn Road
London WC1X 8AQ

www.ambigramarchitects.com
info@ambigramarchitects.com

© Copyright 2019

7abc Bayham St

Kings Cross,
London, NW1 0EY

Project
**CC - East Elevation - First Floor
Detail**

Title

aa_1704

Job number

May 2019

Date

D-PL-P-5304

Drawing no

Jl

Drawn

1:5_@A1

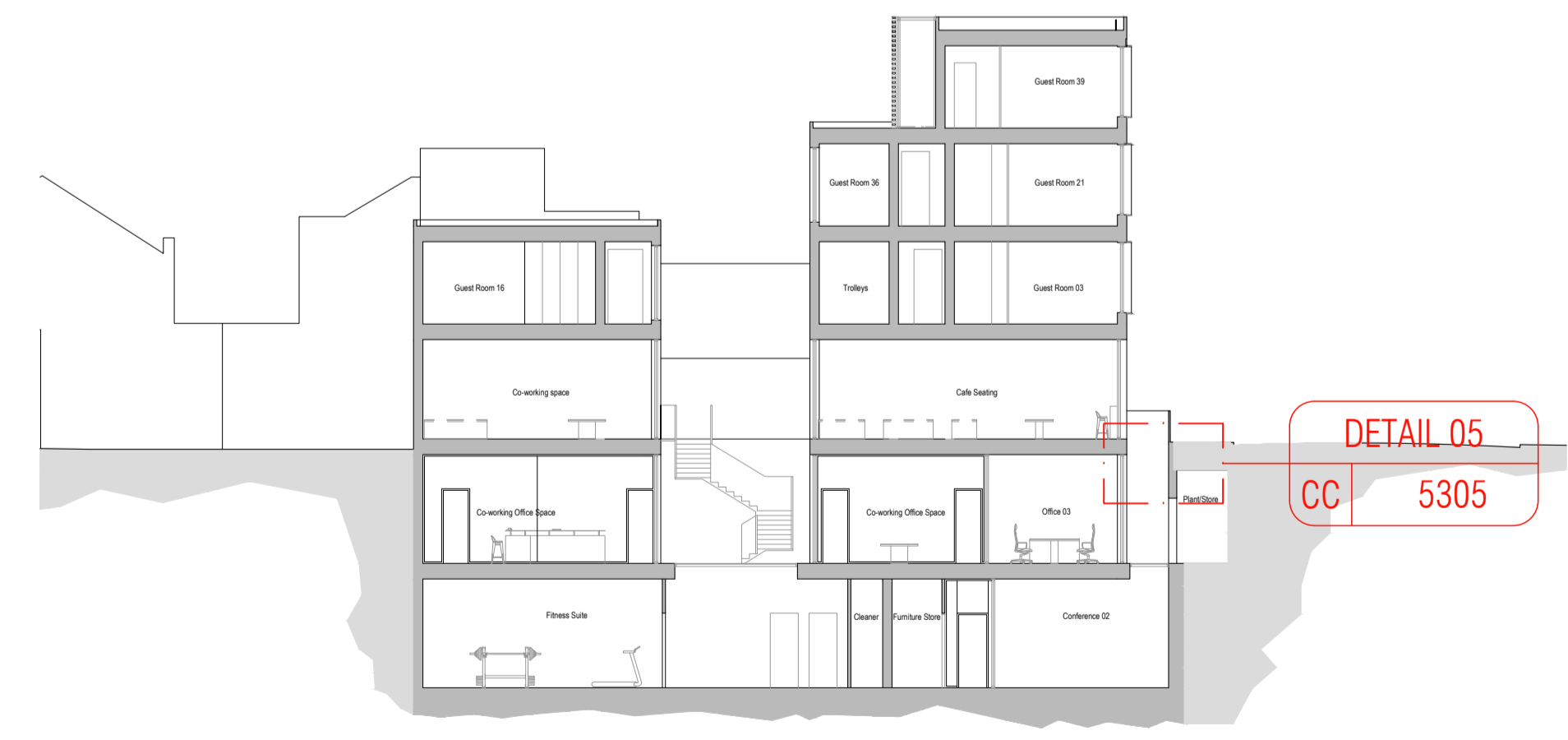
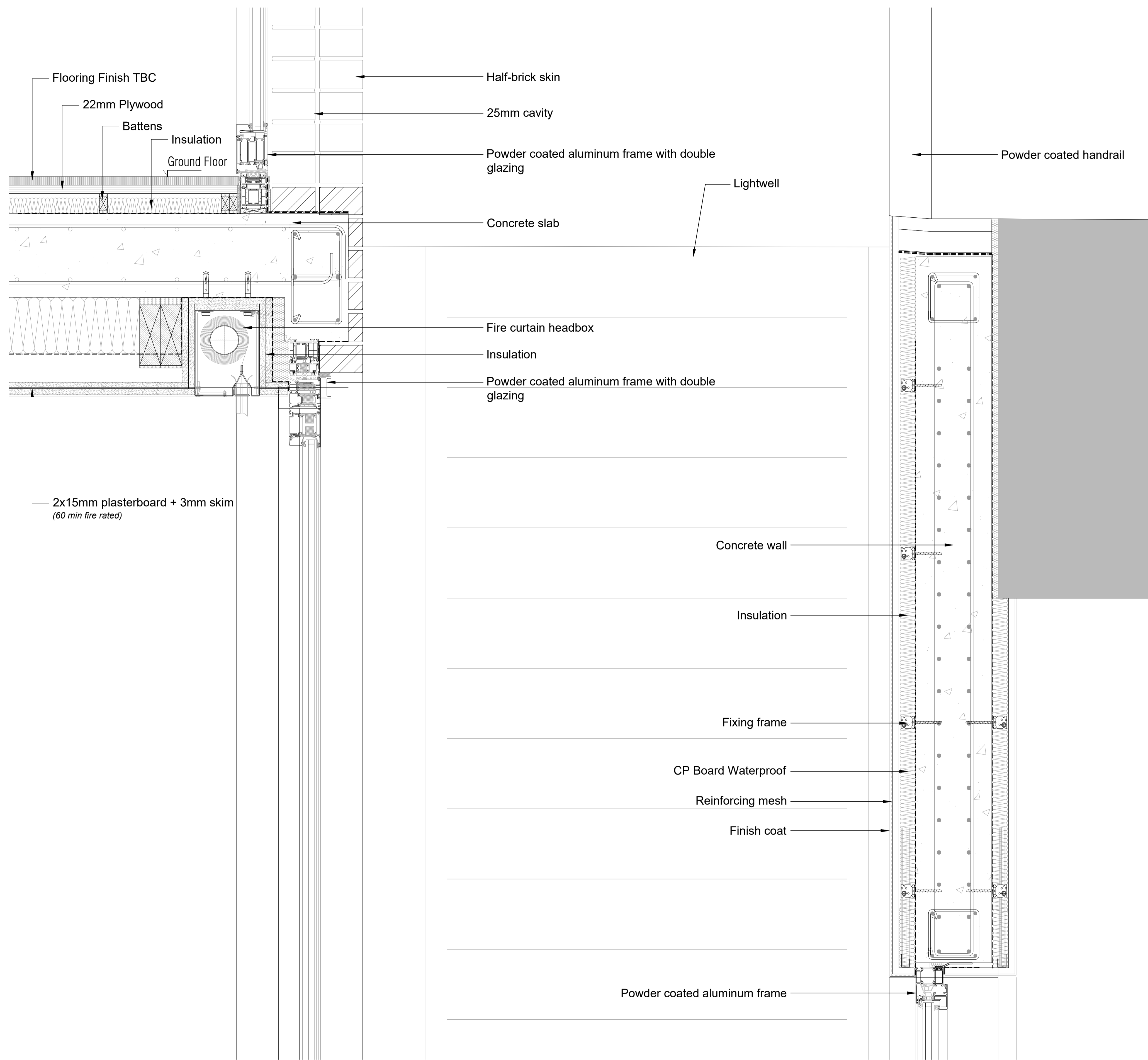
1:10_@A3

Scale

P-01

Revision

ambigram architects ltd



Key Section CC 1/200 @A1 - 1/400 @A3

DETAIL 05
CC 5305

NOTES

- Do not scale off these drawings. Dimensions govern.
- All dimensions are given in millimetres (mm) unless otherwise noted.
- All dimensions shall be verified on site before proceeding with the work contractor before construction and fabrication commences.
- Workmanship and materials to be accordance with the relevant current British Standard Codes of Practice and the Local Authorities requirements.
- During construction the contractor shall be responsible for maintaining the structure in a stable condition.
- These drawings are to be read in conjunction with all other contract documentation and other consultants documentation.
- If in doubt, ask!

Rev	Date	Reason for Issue	ch'd
PL-01	16/05/2019	Planning amendments	Jl

ambigram architects

Studio 2.04, 60 Gray's Inn Road
London WC1X 8AQ

www.ambigramarchitects.com
info@ambigramarchitects.com

© Copyright 2019

7abc Bayham St
Kings Cross,
London, NW1 0EY

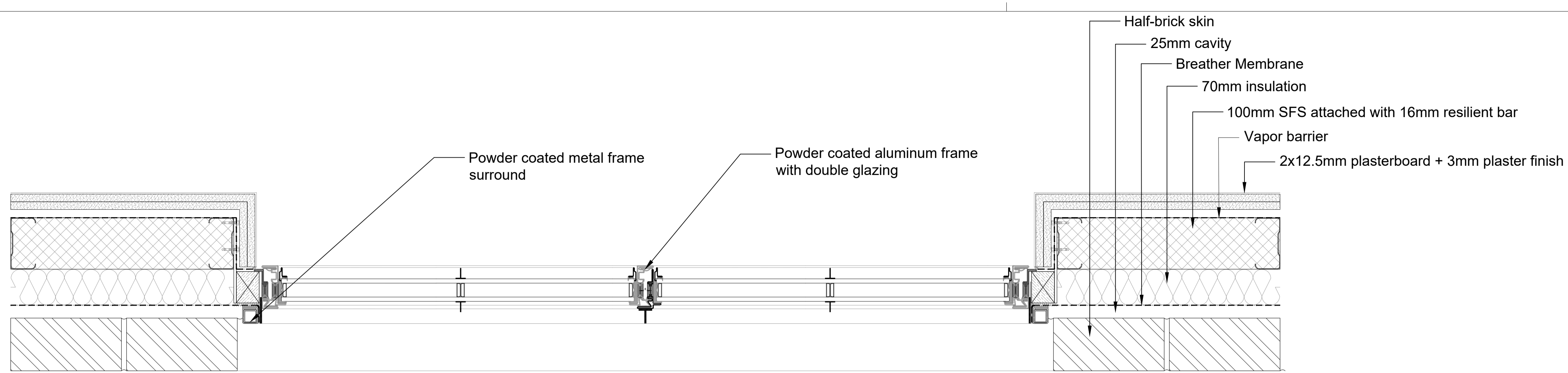
Project
CC - East Elevation - Ground Floor Detail

Title

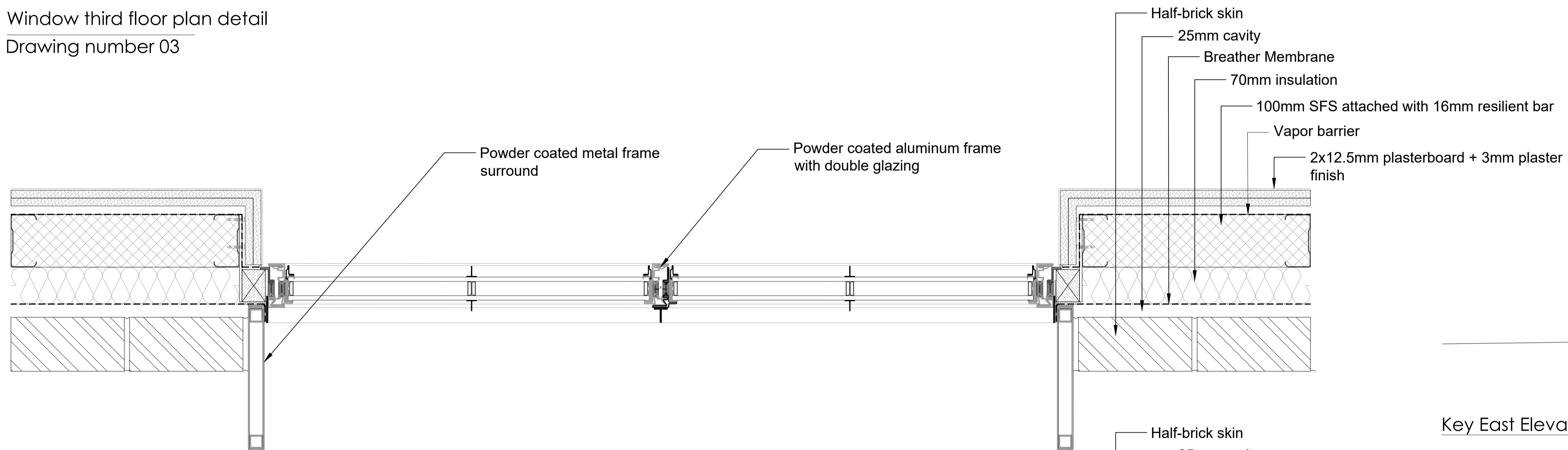
aa_1704
Job number
May 2019
Date
D-PL-P-5305
Drawing no

Jl P-01
Drawn Revision
1:5_@A1
1:10_@A3
Scale

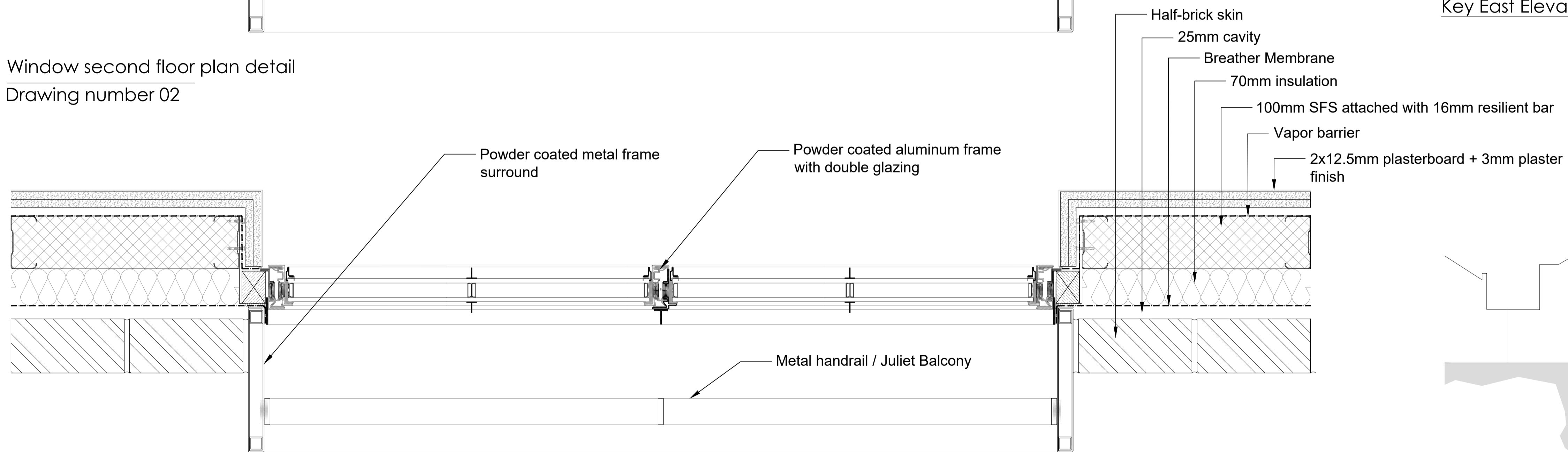
ambigram architects ltd



Window third floor plan detail
Drawing number 03



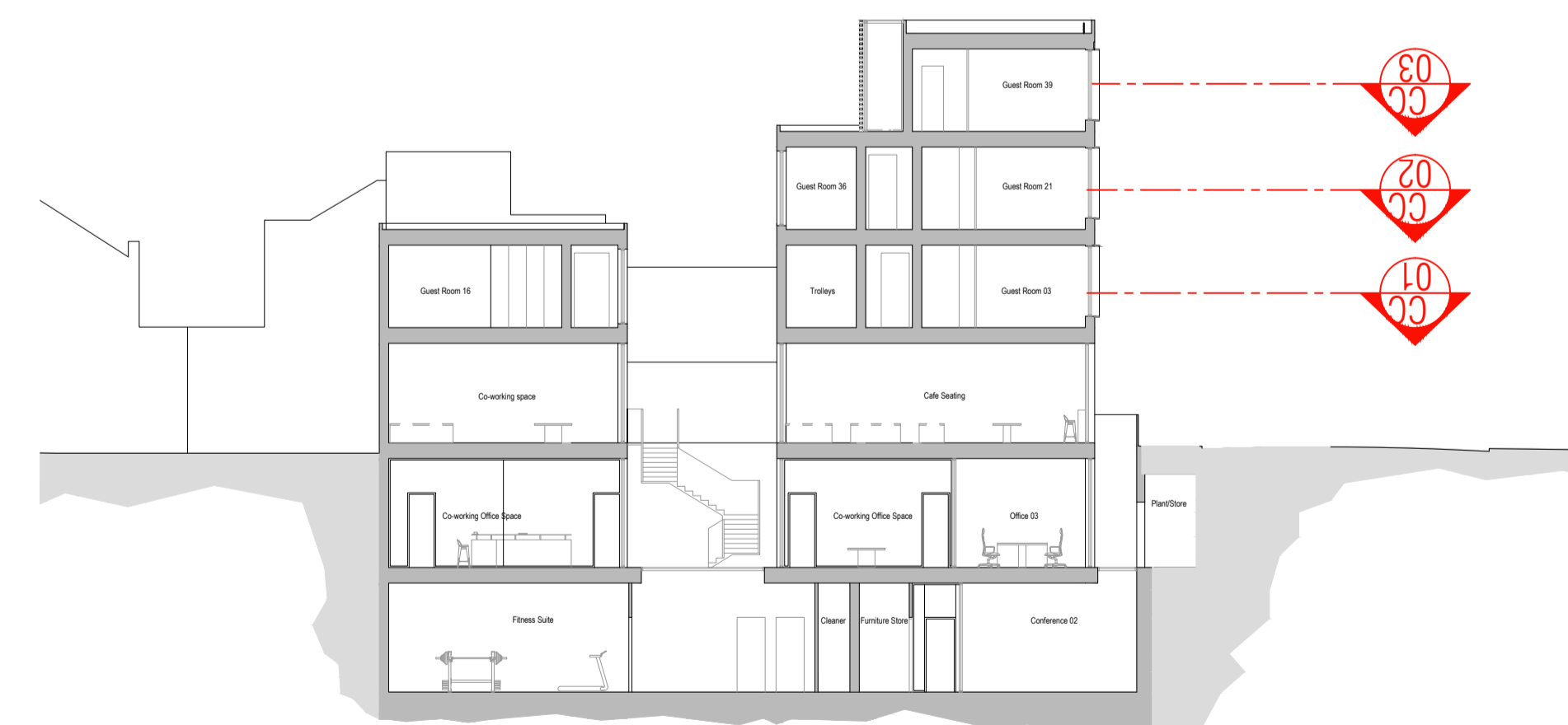
Window second floor plan detail
Drawing number 02



Window first floor plan detail
Drawing number 01



Key East Elevation 1/200 @A1 - 1/400 @A3



Key Section CC 1/200 @A1 - 1/400 @A3

NOTES

- Do not scale off these drawings. Dimensions govern.
- All dimensions are given in millimetres (mm) unless otherwise noted.
- All dimensions shall be verified on site before proceeding with the work contractor before construction and fabrication commences.
- Workmanship and materials to be accordance with the relevant current British Standard Codes of Practice and the Local Authorities requirements.
- During construction the contractor shall be responsible for maintaining the structure in a stable condition.
- These drawings are to be read in conjunction with all other contract documentation and other consultants documentation.
- If in doubt, ask!

Rev	Date	Reason for Issue	ch'd
PL-01	16/05/2019	Planning amendments	Jl

ambigram architects

Studio 2.04, 60 Gray's Inn Road
London WC1X 8AQ

www.ambigramarchitects.com
info@ambigramarchitects.com

© Copyright 2019

ambigram architects ltd

7abc Bayham St

Project

CC-Windows Plan Details

Title

Kings Cross,
London, NW1 0EY

aa_1704

Job number

May 2019

Date

D-PL-P-5320

Drawing no

Jl

Drawn

1:5_@A1

1:10_@A3

Scale

P-01

Revision