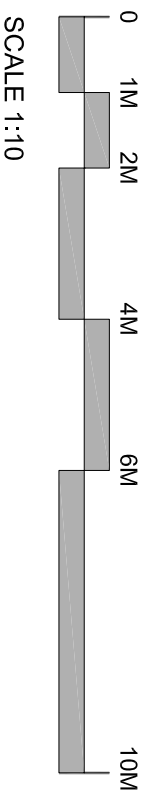
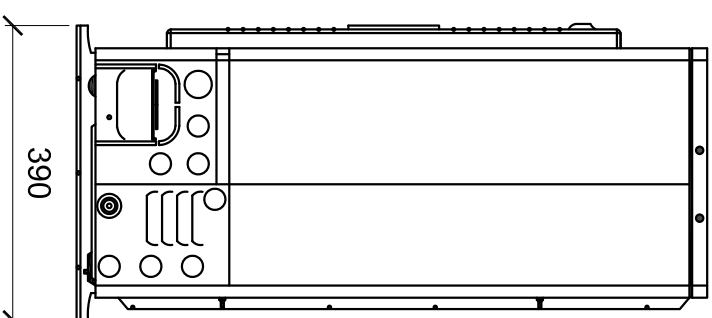
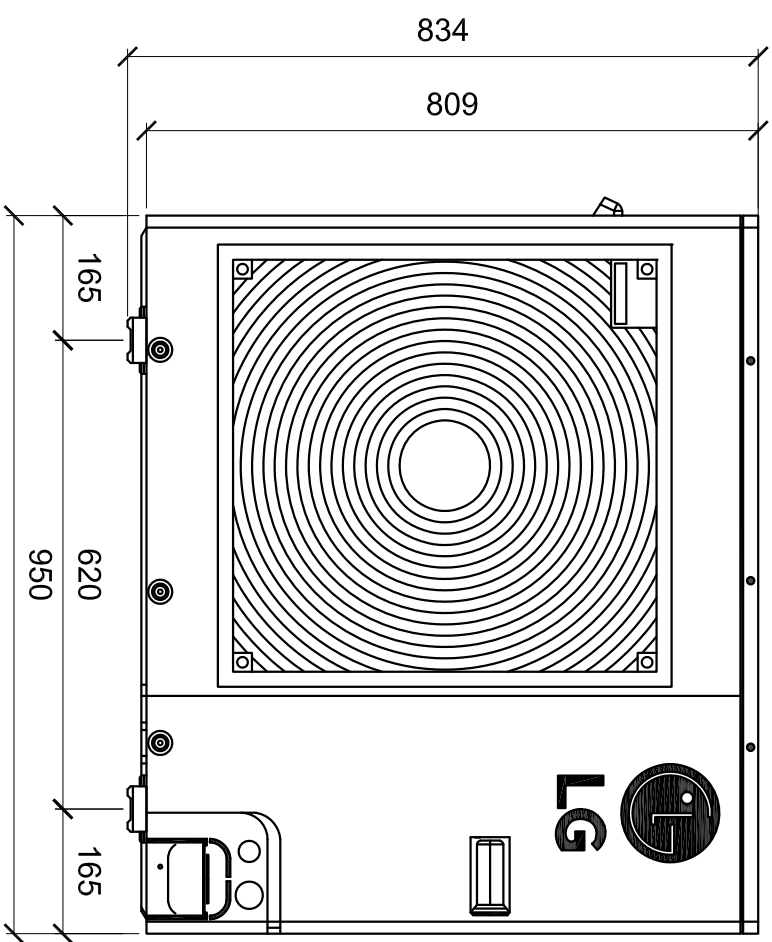
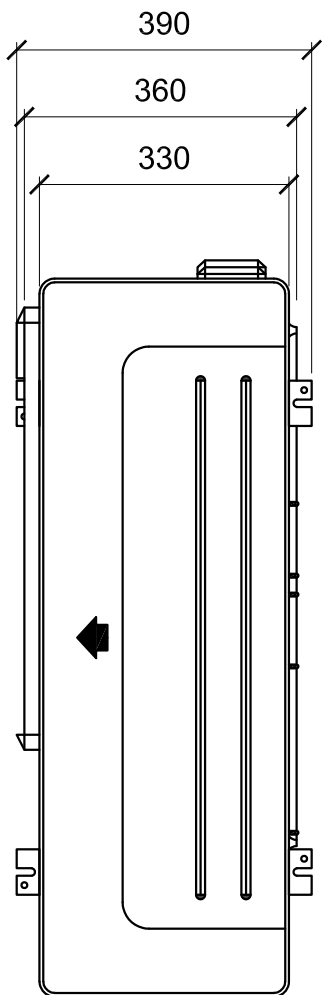


Disclaimer

This drawing should not be scaled.
The contractor is to check all dimensions on site and inform the contract administrator/project manager of any discrepancies.
All work is to comply with the Building Regulations, Codes of Practice and British Standards.
This drawing is to be read in conjunction with all other contract drawings and specifications.
This drawing is copyright and must not be reproduced in any format or disclosed to any third party without the written consent of Tiffin Energy 'Tofee' LLP.

rev date details

by



SCALE 1:10

rev date details

by

CLIENT Weybourne Limited
PROJECT 28 - Little Russell St
DRAWING Condenser



DRAWN CGC
SCALE @ A3 1:10
DATE May 19

PROJECT No. DRAWING No. REV
181694