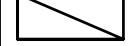





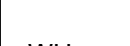


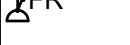
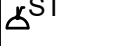






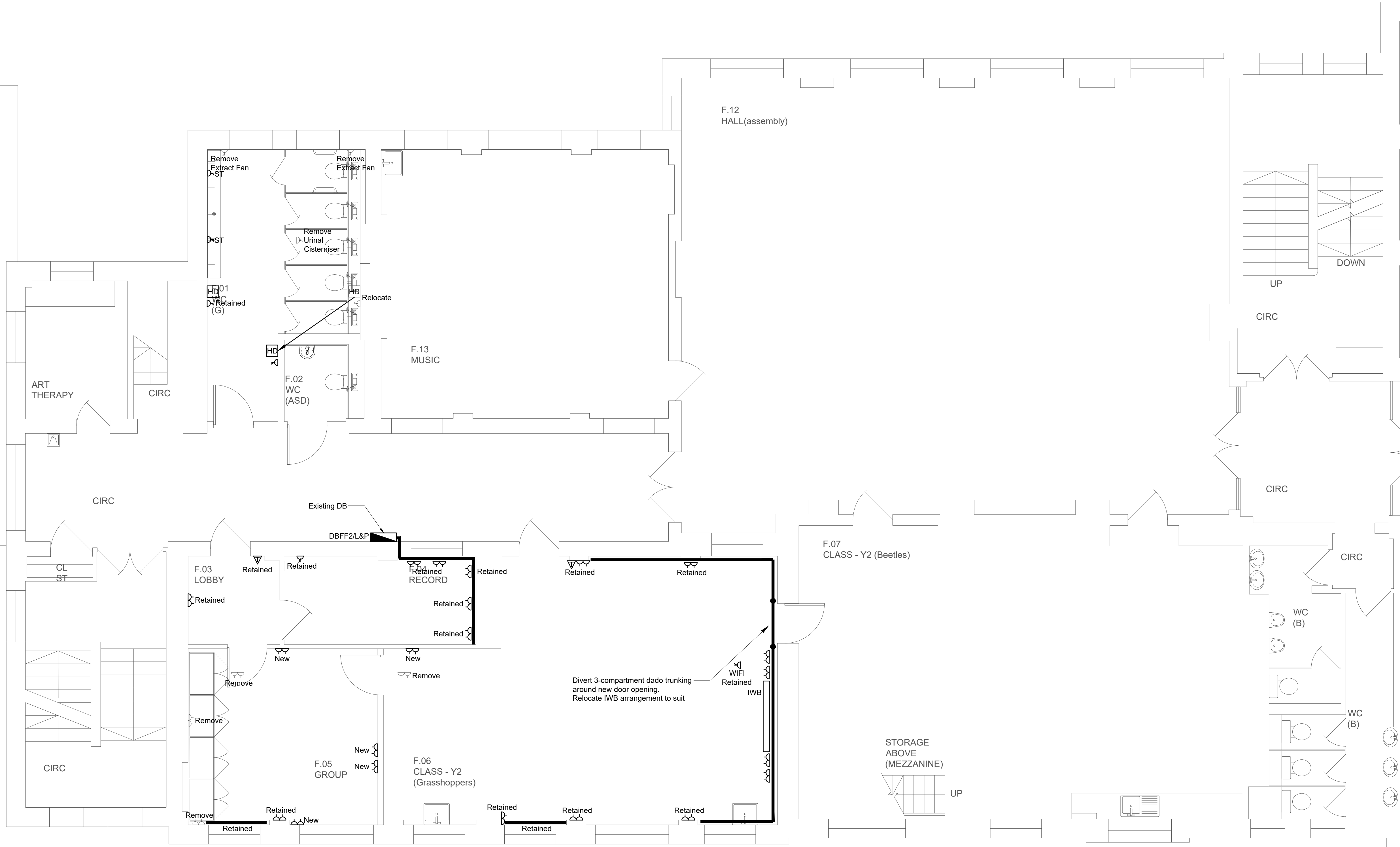


Notes:

1. This drawing should be read in conjunction with JSH electrical services specification ref: EB/CR/5557/E.
2. The School has advised that there is asbestos products in the working areas. The Contractor shall communicate with the Main Contractor and the School prior to any works being undertaken.

Legend:

-  Main distribution panel
-  Local distribution board
-  Single switched socket outlet
-  Double switched socket outlet
-  Switched fused connection unit
-  Spur connection unit and triple pole switch for extract fan
-  Spur connection unit and triple pole switch for extract fan
-  Spur connection unit and triple pole switch for macerator
-  Spur connection unit and triple pole switch for fridge
-  Spur connection unit and triple pole switch for sensor taps
-  Single phase isolator
-  Hair dryer
-  3 compartment dado trunking
-  Telephone outlet
-  Speaker
-  Single phase isolator
-  Three phase isolator



P01	Tender Issue	JH	EB	05/19
REV	DESCRIPTION	DR'WN	CHK'D	DATE

Johns Slater and Haward
 Chartered Building Services Consultants
 Ardennais House, 6 Sorrel Horse Mews, Grimwade St, Ipswich IP4 1LN
 01473 255965, engineers@jshipswich.co.uk, www.jshipswich.co.uk



CLIENT:


PROJECT:
 Primrose Hill Primary School ARP

DRG TITLE:
 First Floor
 Proposed Small Power Layout

SCALE: 1:50 @ A1	STATUS: D2 - Tender	PROJECT: 5557.00	ORIGINATOR: JSH
ZONE: XX	LEVEL: 01	TYPE: DR	DRG No. REV E-0303 P01