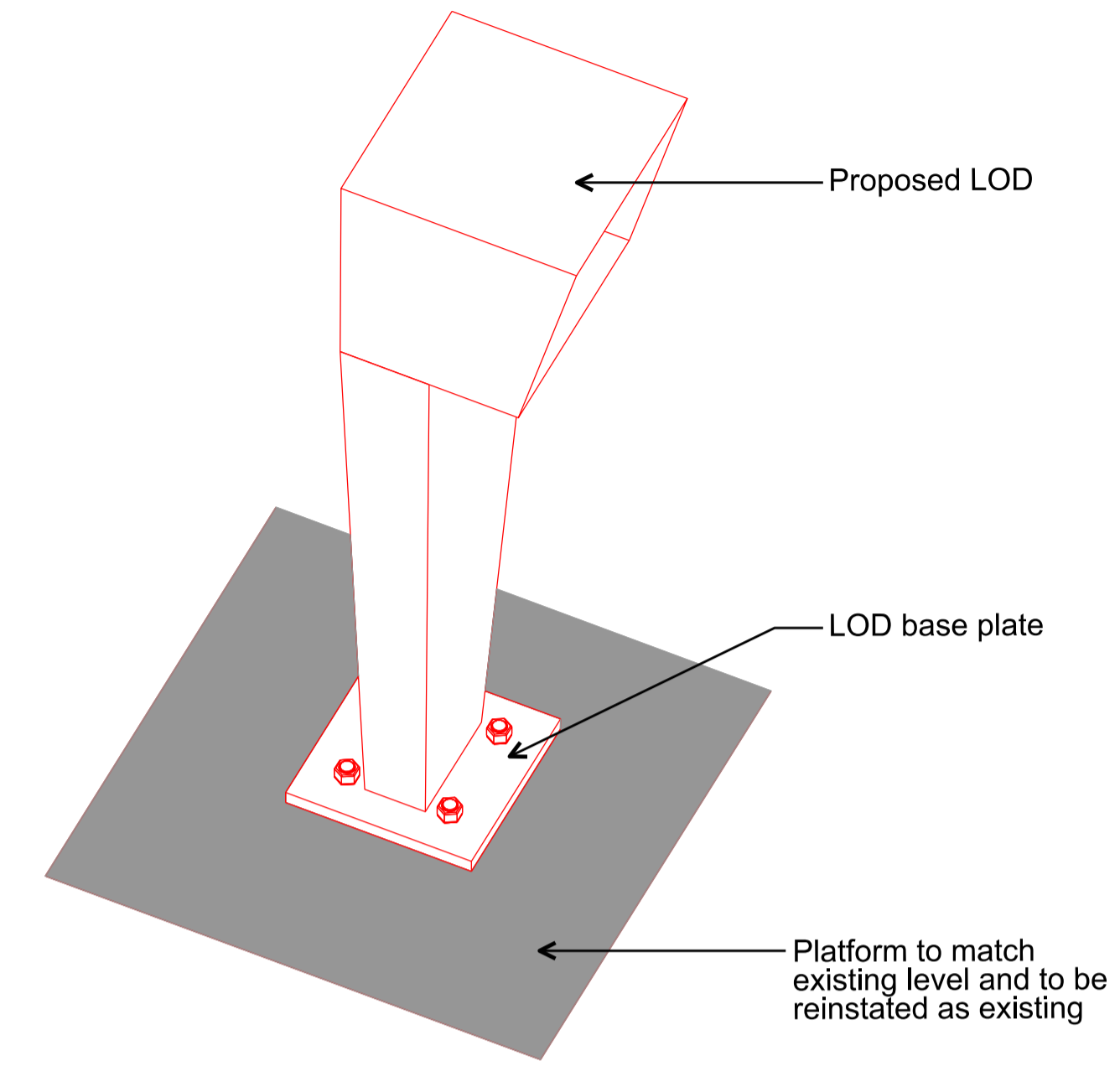


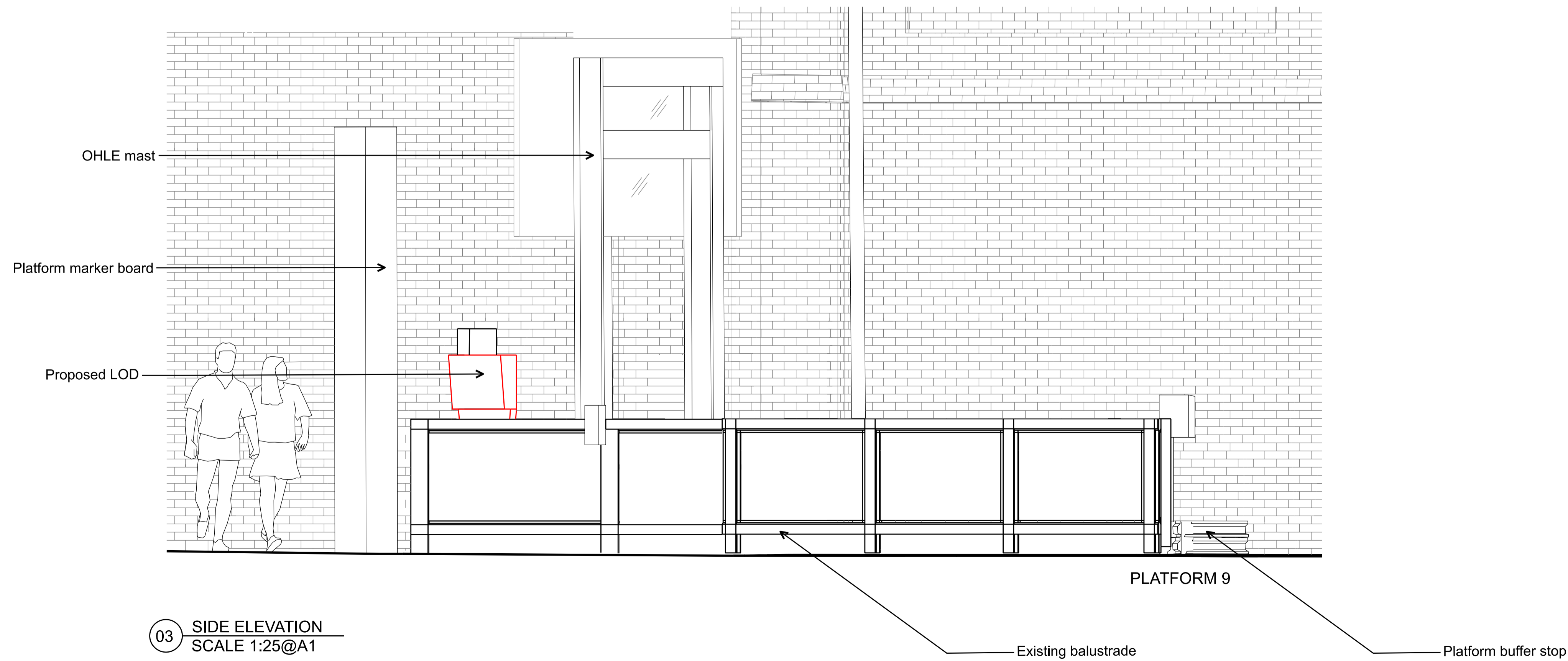
01 ELEVATION TOWARDS COUNTRY END
SCALE 1:25@A1



02 AXONOMETRIC VIEW
SCALE 1:10@A1

Legend/Notes

- KEY:
- PROPOSED CONSTRUCTION
 - EXISTING TO BE REMOVED
 - EXISTING TO REMAIN
 - EXISTING TO BE MODIFIED



03 SIDE ELEVATION
SCALE 1:25@A1

Rev	Date	Description of Revisions	Drawn	Chkd	Appr	Suitability
P02	13-05-19	Buffer stops amended			OW	MP TK
P01	02-05-19	First issue			OW	MP TK
Initial status or WIP						SO



Contractor(s)
Robinson Kenning & Gallagher

Project
Kings Cross Remodelling

Drawing Title
Kings Cross Station
Proposed Arrangement
LOD Elevations and Location
Platform 9

Designed	Signed	Date		
Drawn	O. WOKOWU	Signed	Date	02-05-2019
Checked	M. POWELL	Signed	Date	02-05-2019
Approved	T. Katsanos	Signed	Date	02-05-2019

Scale(s) AS SHOWN	ELR & Mileage	Sheet of
Alternative Reference	Revision	
Drawing Number 152319-NWR-DRG-LEP-000135	P02	