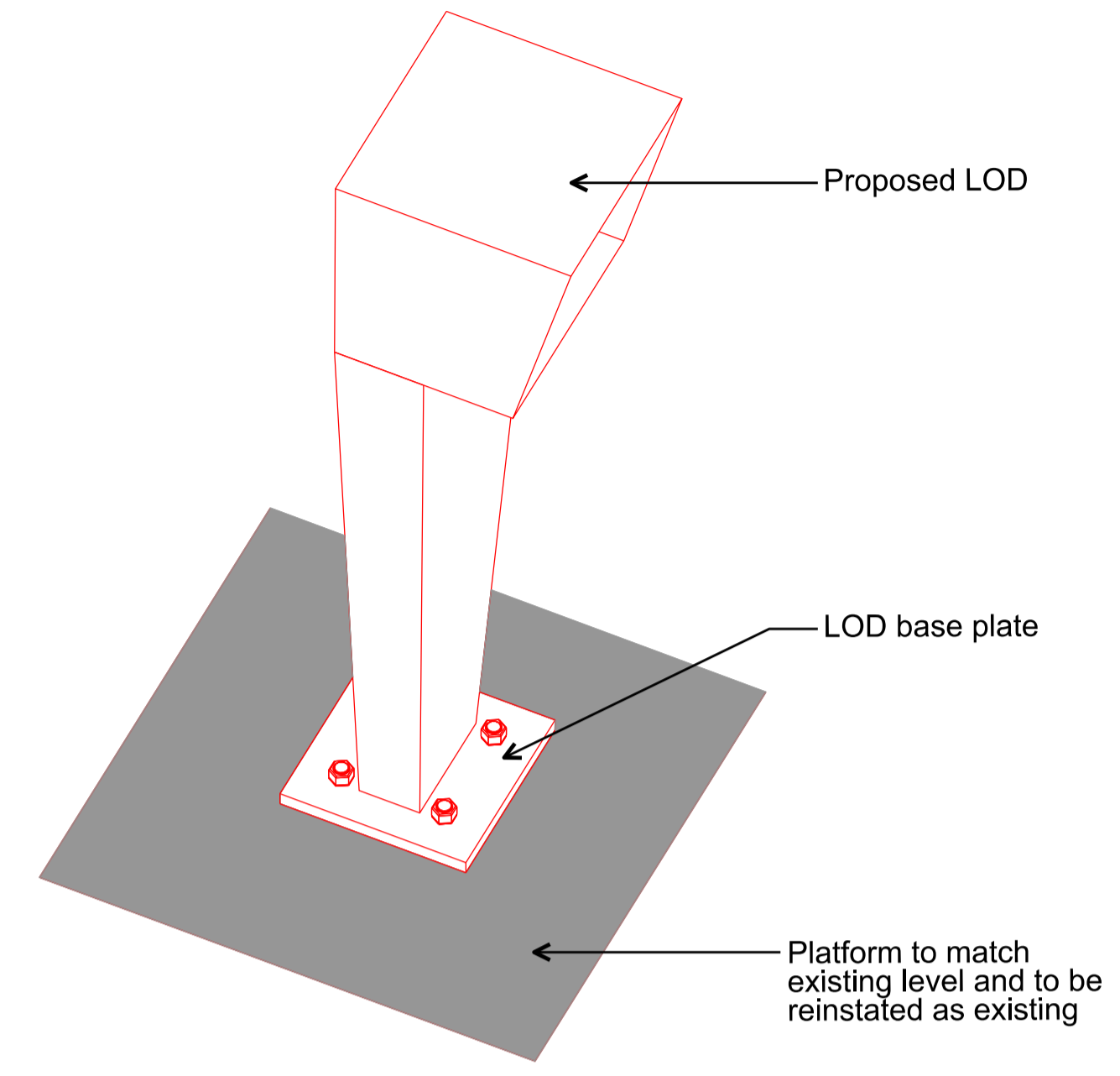


01 SIDE ELEVATION
SCALE 1:25@A1

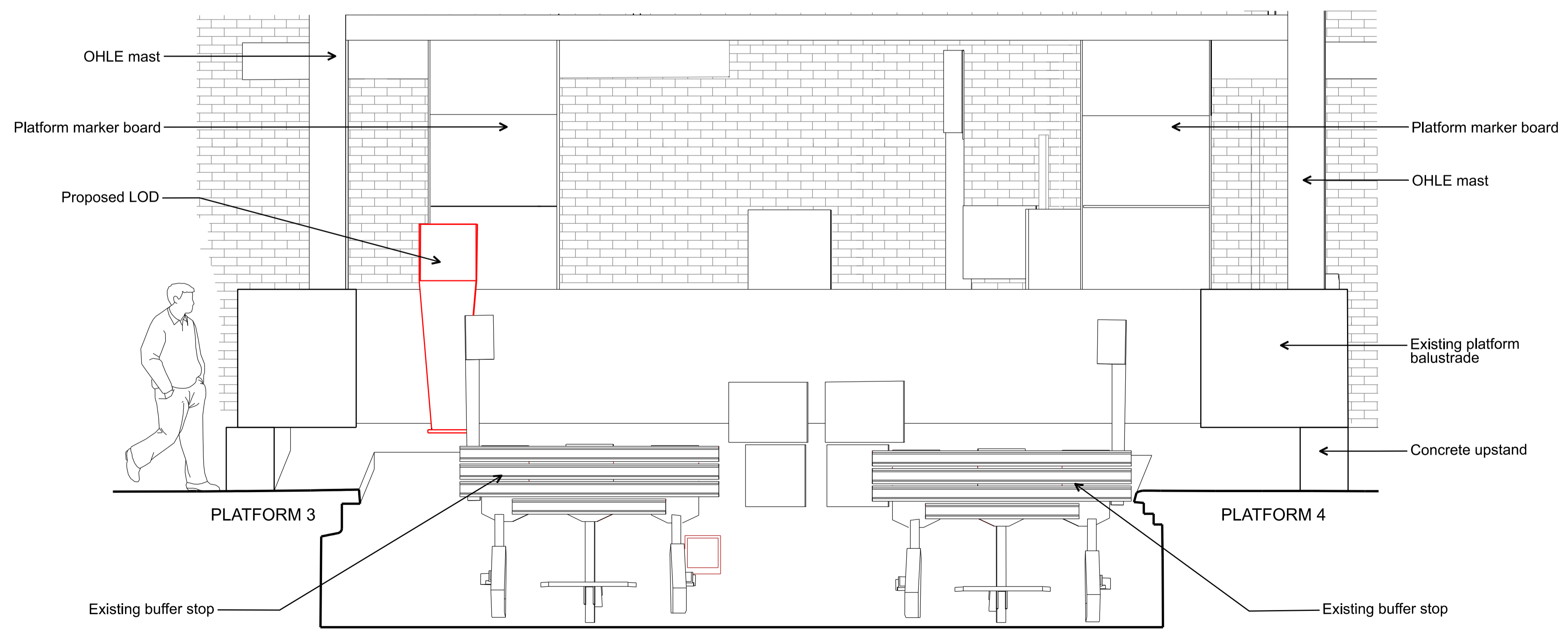


01 AXONOMETRIC VIEW
SCALE 1:10@A1

Legend/Notes

KEY:

- PROPOSED CONSTRUCTION
- EXISTING TO BE REMOVED
- EXISTING TO REMAIN
- EXISTING TO BE MODIFIED



02 ELEVATION TOWARDS LONDON END
SCALE 1:25@A1

Rev	Date	Description of Revisions	Drawn	Chkd	Appr
Initial status or WIP					SO



Contractor(s)
Robinson Kenning & Gallagher

Project
Kings Cross Remodelling

Drawing Title
Kings Cross Station
Proposed Arrangement
LOD Elevations and Location
Platform 3&4

Designed		Signed		Date	
Drawn	O. WOKOWU	Signed		Date	02-05-2019
Checked	M. POWELL	Signed		Date	02-05-2019
Approved	M. POWELL	Signed		Date	02-05-2019
Scale(s)	AS SHOWN				
Alternative Reference	ELR & Mileage				

Drawing Number	152319-NWR-DRG-LEP-000132	Sheet	of	Revision	P01
----------------	---------------------------	-------	----	----------	-----