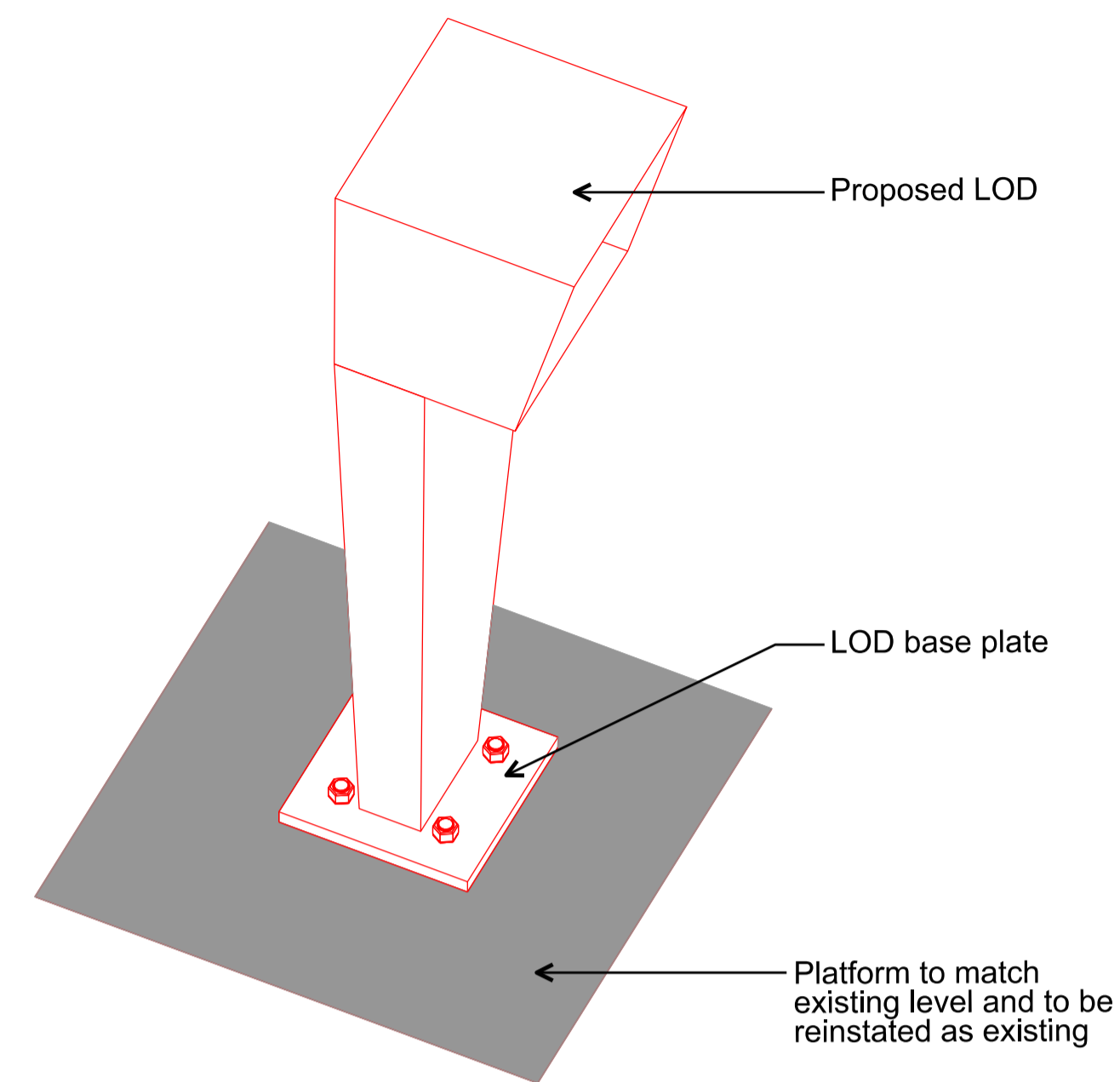


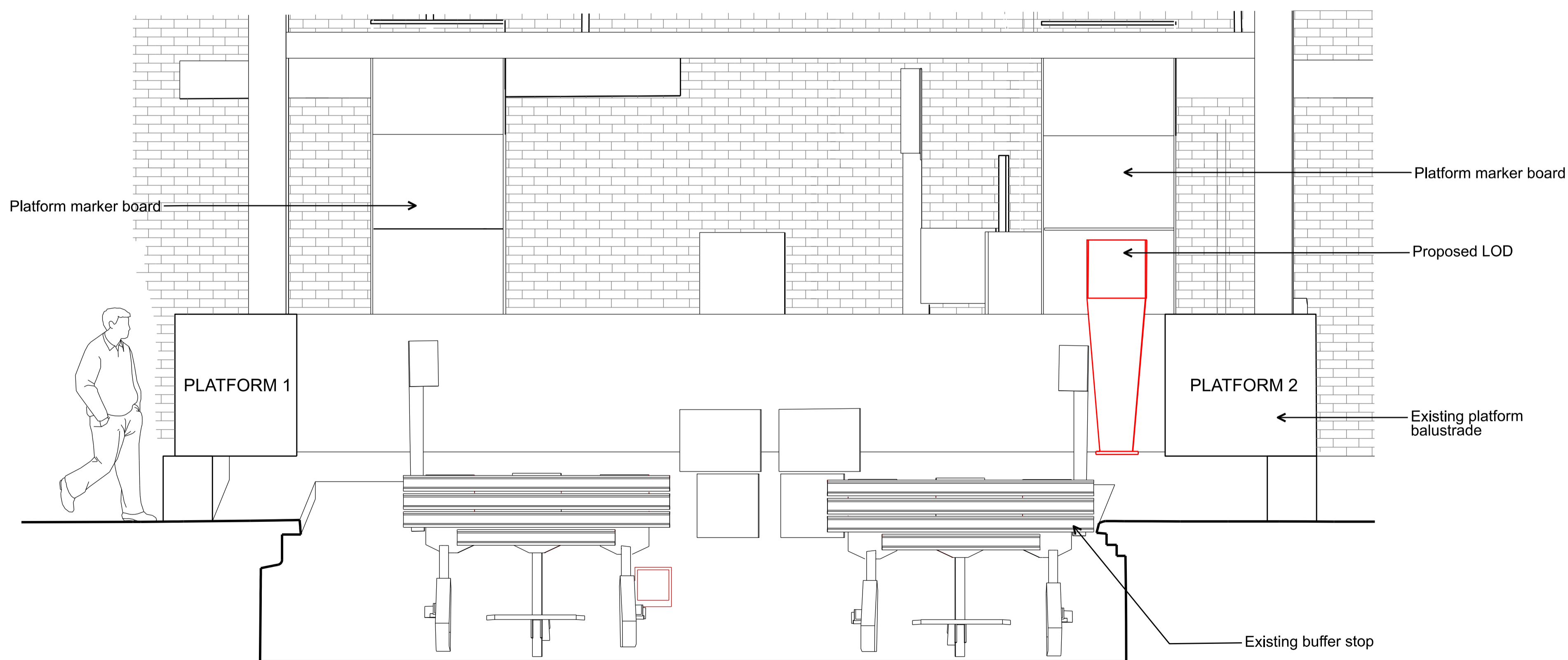
01 SIDE ELEVATION  
SCALE 1:25@A1



01 AXONOMETRIC VIEW  
SCALE 1:10@A1

Legend/Notes

- KEY:
- PROPOSED CONSTRUCTION
  - EXISTING TO BE REMOVED
  - EXISTING TO REMAIN
  - EXISTING TO BE MODIFIED



02 ELEVATION TOWARDS LONDON END  
SCALE 1:25@A1

Rev	Date	Description of Revisions	Drawn	Chkd	Appr

Initial status or WIP SO



Contractor(s)  
Robinson Kenning & Gallagher

Project  
Kings Cross Remodelling

Drawing Title  
Kings Cross Station  
Proposed Arrangement  
LOD Elevations and Location  
Platform 1&2

Designed	Signed	Date
Drawn O. WOKOWU	Signed	Date 02-05-2019
Checked M. POWELL	Signed	Date 02-05-2019
Approved M. POWELL	Signed	Date 02-05-2019

Scale(s) AS SHOWN ELR & Mileage

Alternative Reference Sheet of Revision

Drawing Number  
152319-NWR-DRG-LEP-000131

P01