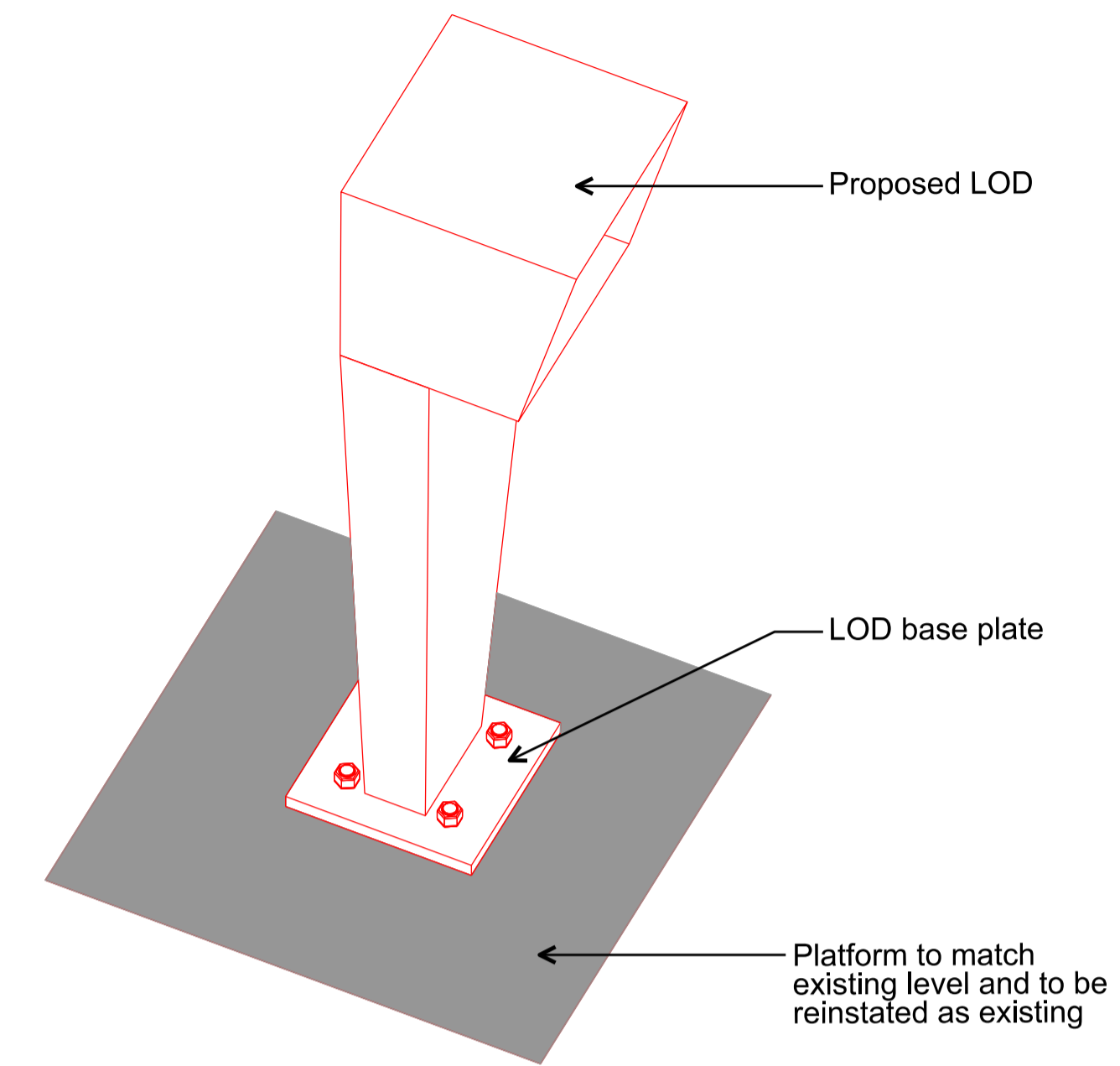


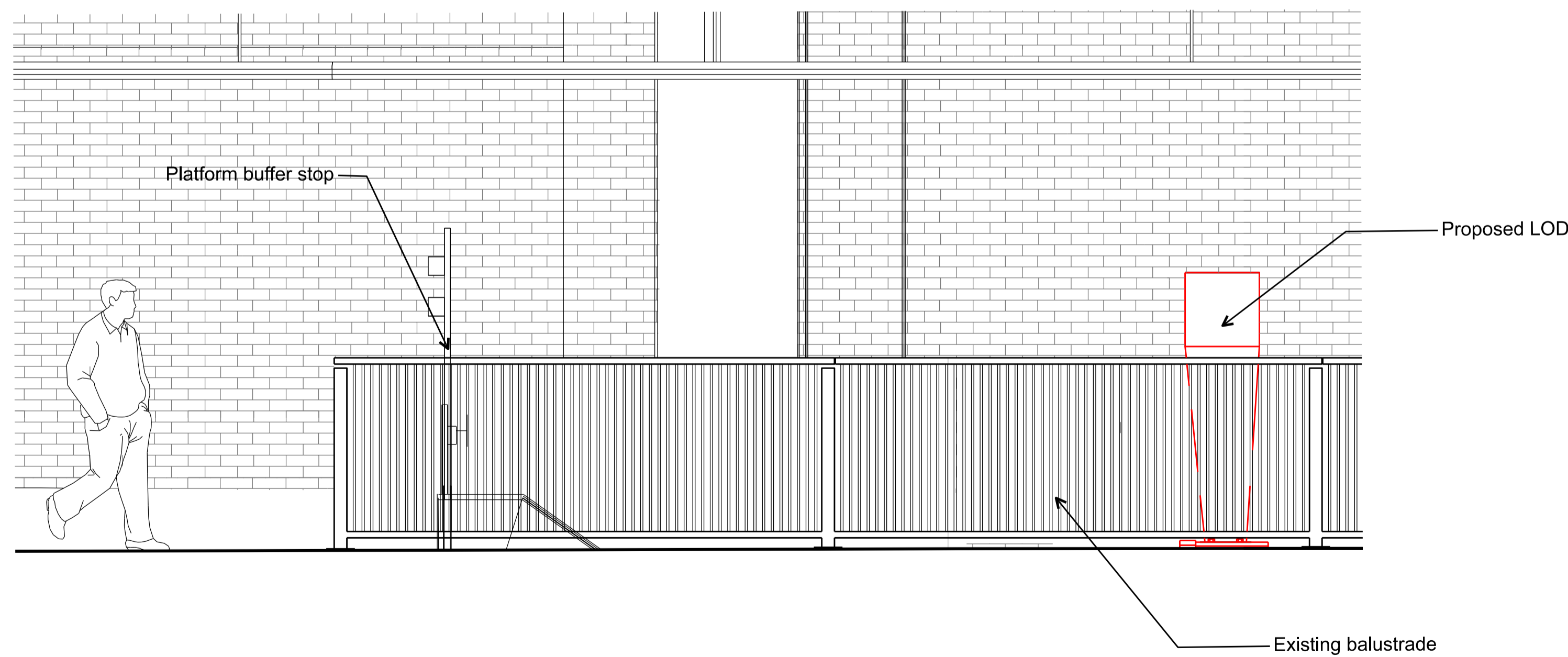
01 ELEVATION TOWARDS LONDON END
SCALE 1:20@A1



01 AXONOMETRIC VIEW
SCALE 1:10@A1

Legend/Notes

- KEY:
- PROPOSED CONSTRUCTION
 - EXISTING TO BE REMOVED
 - EXISTING TO REMAIN
 - EXISTING TO BE MODIFIED



02 SIDE ELEVATION
SCALE 1:20@A1

| Rev | Date | Description of Revisions | Drawn | Chkd | Appr |
|-----|------|--------------------------|-------|------|------|
| | | | | | |

Initial status or WIP SO



Contractor(s)

Robinson Kenning & Gallagher

Project

Kings Cross Remodelling

Drawing Title

Kings Cross Station
Proposed Arrangement
LOD Elevations and Location
Platform 0

| | | | |
|----------|-----------|--------|--------------------|
| Designed | | Signed | Date |
| Drawn | O. WOKOWU | Signed | Date 02-05-2019 |
| Checked | M. POWELL | Signed | Date 02-05-2019 |
| Approved | M. POWELL | Signed | Date 02-05-2019 |

Scale(s) AS SHOWN ELR & Mileage

Alternative Reference Sheet of Revision

Drawing Number 152319-NWR-DRG-LEP-000130 Revision P01