

SIGN RISK	SIGN LOCATION		
STANDARD	✗	INTERNAL	
HIGH		EXTERNAL	✗

ALL MEASUREMENTS ARE IN MILLIMETERS UNLESS OTHERWISE STATED.

Drawn by:
R.LANE

Date:
22/03/19

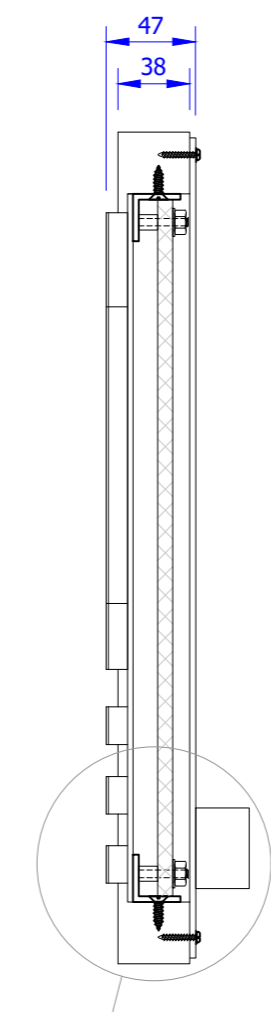
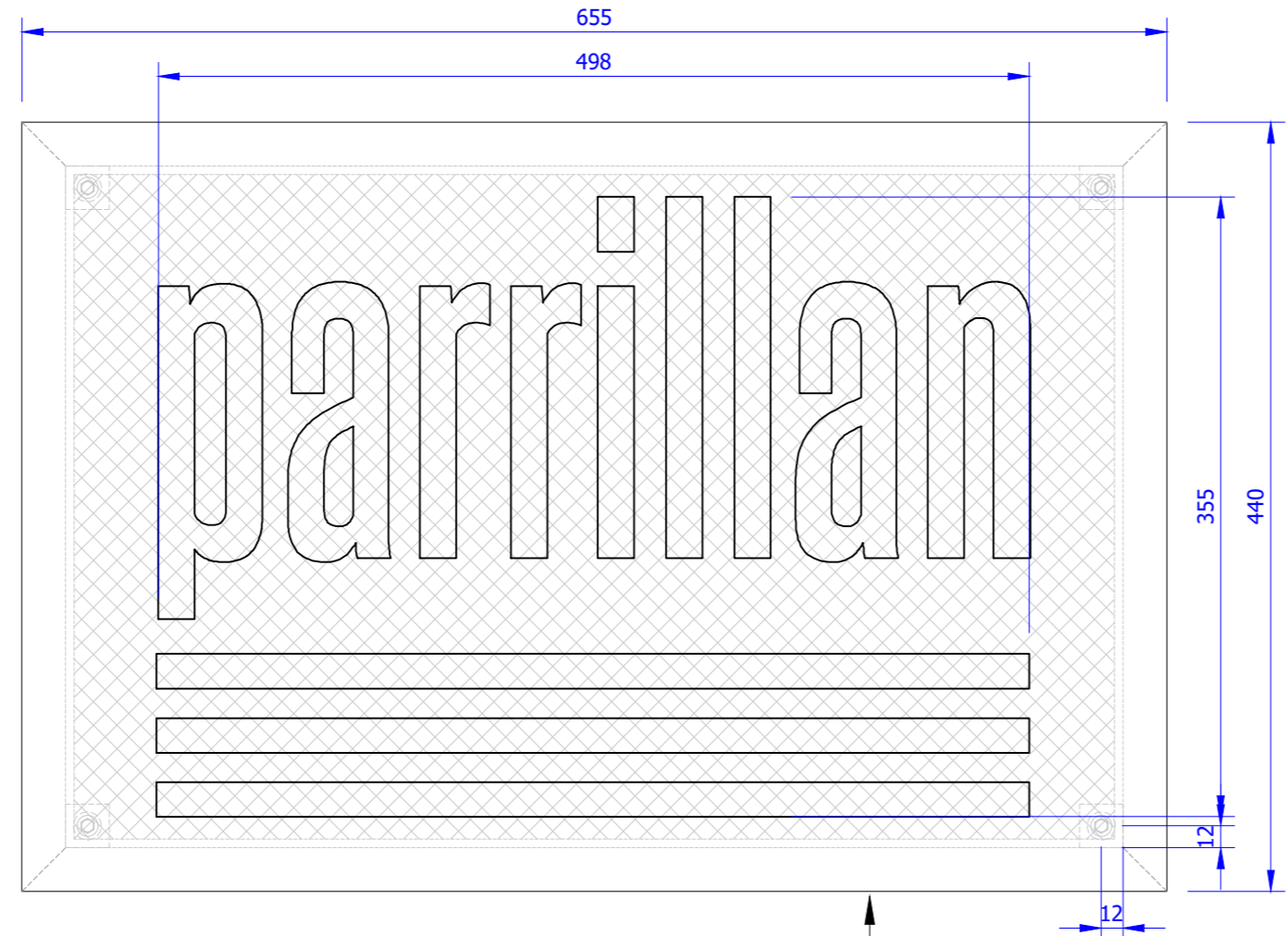
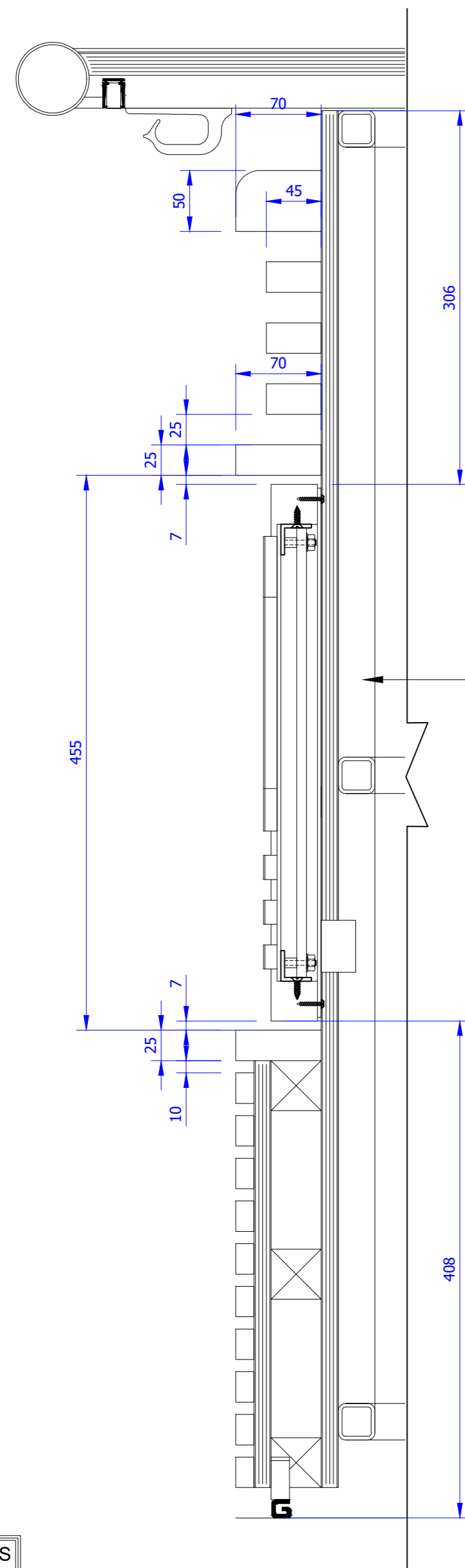
Works Order No: 19312 03
 Parrillon, Coal Drops Yard, Kings Cross, London.
 Wall sign

DRG.No. A2/A214765		R/3		
REV	DESCRIPTION	SIGNED	DATE	CLIENT
1	Construction changed / illumination added	RL	25/03/19	Y
2	LED modules to light sheet	RL	02/04/19	Y

Scales used:
1:1, 1:4, 1:40

Quantity:

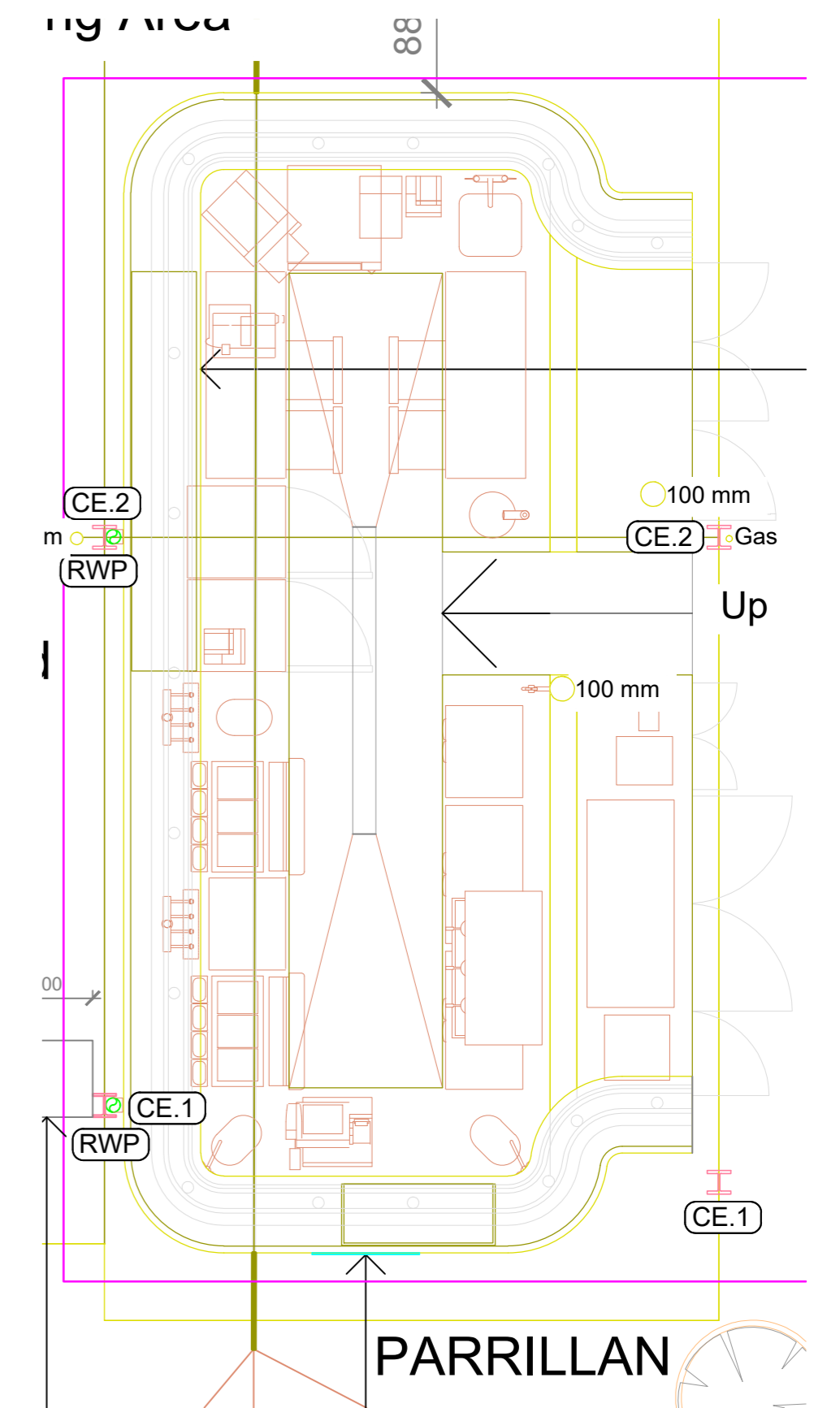
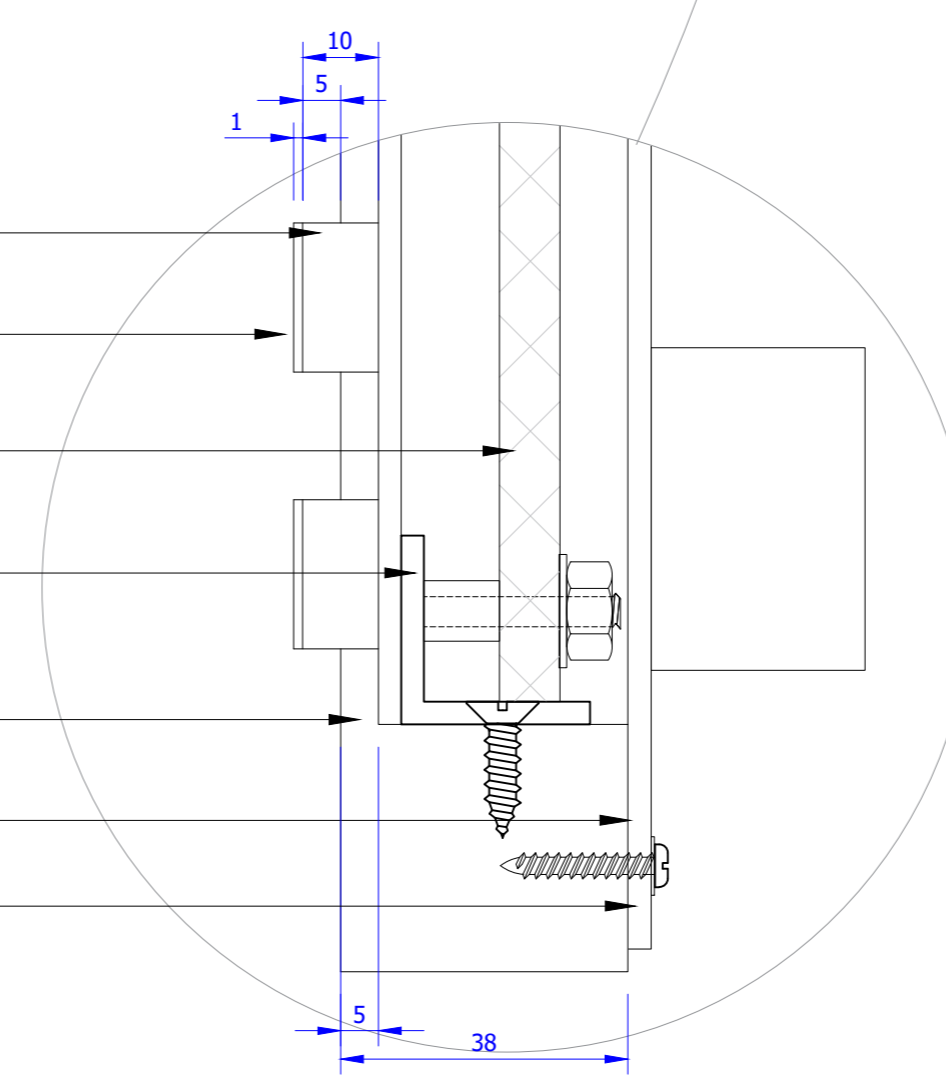
1no



Positioned between existing timber panelling.
To be ready and fitted by others.

Structure made from 38mm Iroko Timber. 3 coats of Tung oil to be applied by others.

- 10mm clear acrylic with sanded edges pushed through to have 5mm exposed externally. Backed with 3mm Opal 030 acrylic.
- Face of push-through acrylic to have 20swg 240 grit 316 brushed stainless steel, horizontal grain, applied with 4905 VHB tape.
- Applelec LED lightsheet (590mm x 380mm x 8mm) 2700k IP67 with PSU ready for connection to a 240v fused spur brought to sign position by others.
- M4 studs fixed to 25mm x 25mm x 3mm aluminium angle. Fixed using csk self tapping screw into timber to hold 3mm diffuser panel in place. 10mm spacers to put onto stud to distance light sheet, fixed in place using M4 bolt and washer.
- Area behind text to be routed down to 5mm. Letters and graphics to be stencil cut from iroko timber.
- Back panel constructed from 3mm aluminium, painted black tbc. Fixed with Self tapping screws.
- Drainage hole to be drilled in back plate.



FITTED BY OTHERS