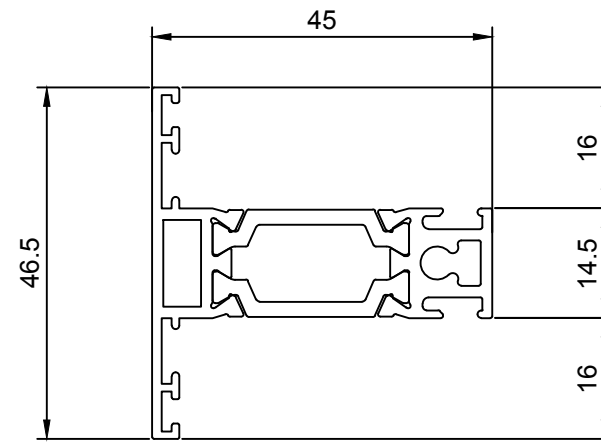
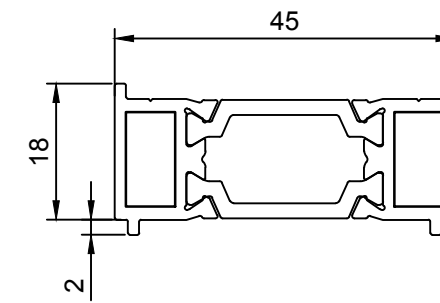


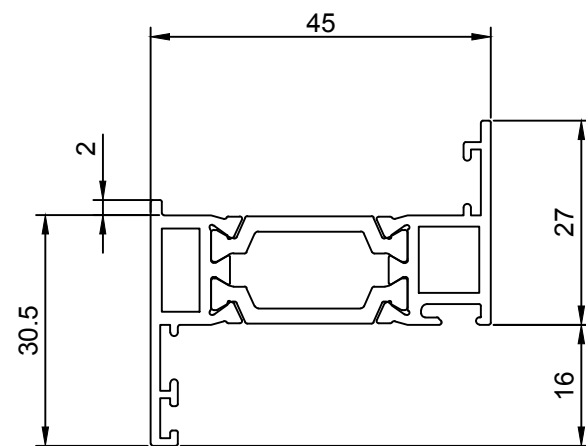
OUTER FRAME (NO LEG)
CR 14-TB08-15



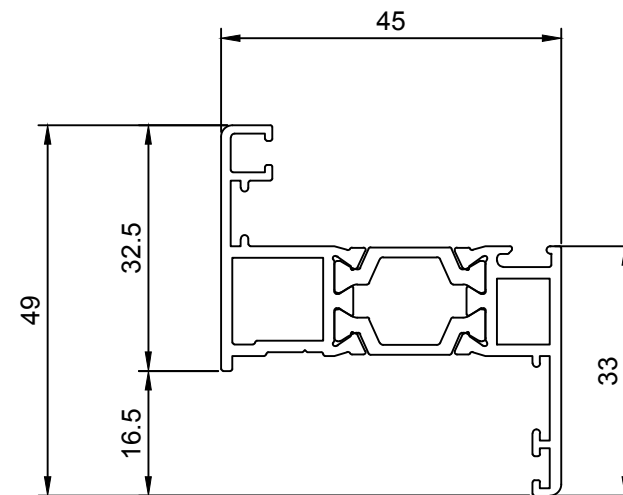
MULLION / TRANSOM
CR 06-TB08-07



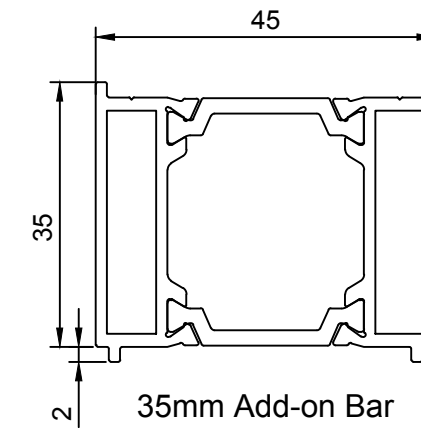
18mm Add-on Bar
CR 69-TB08-69



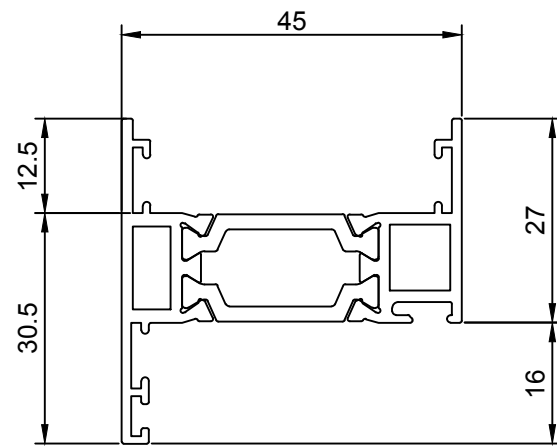
OUTER FRAME (ODD LEG)
CR 14-TB08-09



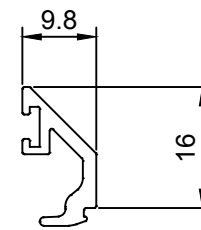
SASH
CR 04-TB02-05



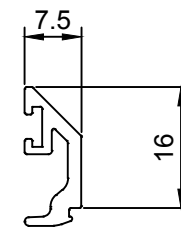
35mm Add-on Bar
CR 68-TB09-68



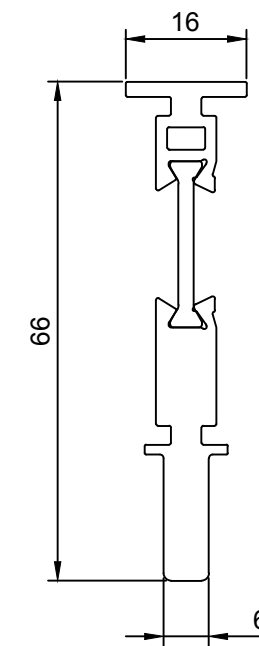
OUTER FRAME (EQUAL LEG)
CR 12-TB08-09



GLAZING BEAD
CR 22



GLAZING BEAD
CR 23



COUPLING MULLION
CR 44-TB05-45

The Heritage Window Company

Unit 23, Bellingham Trading Estate,
Franthorne Way, Randlesdown Road,
London, SE6 3BX.
Tel. 020 8695 0055

**The Conservation Range
Casement Window System
45mm Frame**

© The Heritage Window Company

REV	DATE	AMENDMENT
4	16-JUL-2018	Updated for Profile design changes - DPLM
3	26-MAY-2017	Updated Part Numbers - DPLM
DRAWN: R J G		CHECKED: T W C
DATE: 04-09-2013		SCALE 1:1

The Heritage Window Company		SIZE A3
SECTION IDENTIFICATION		
DRAWING No. THWC / 01 / 02		REV 3 4