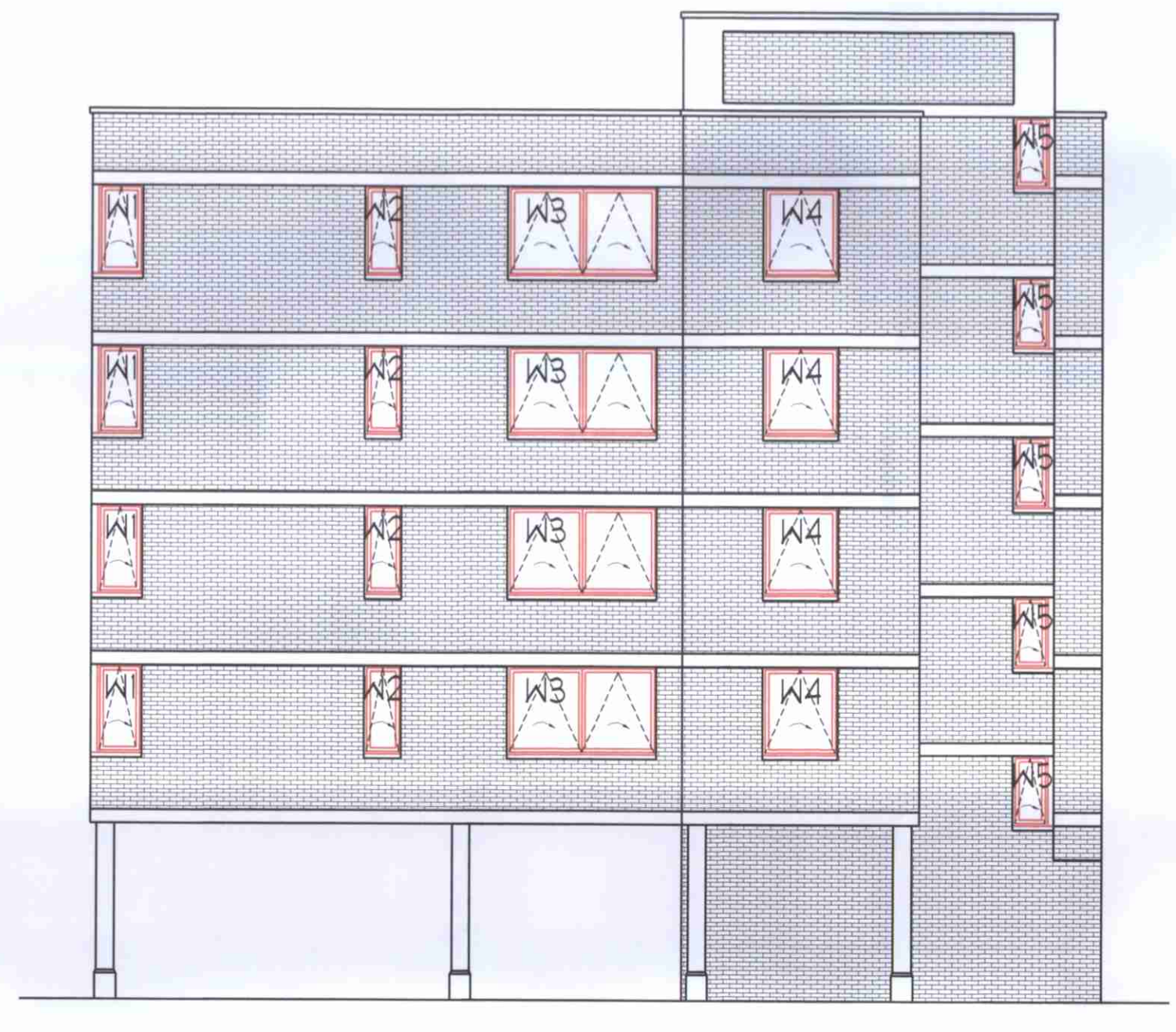
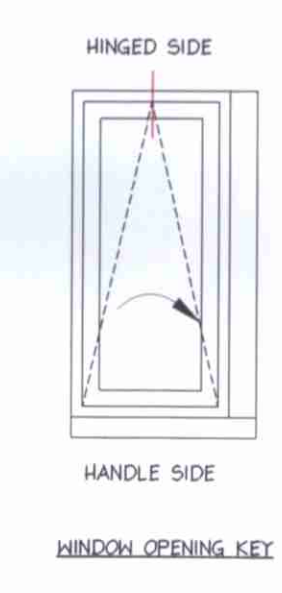
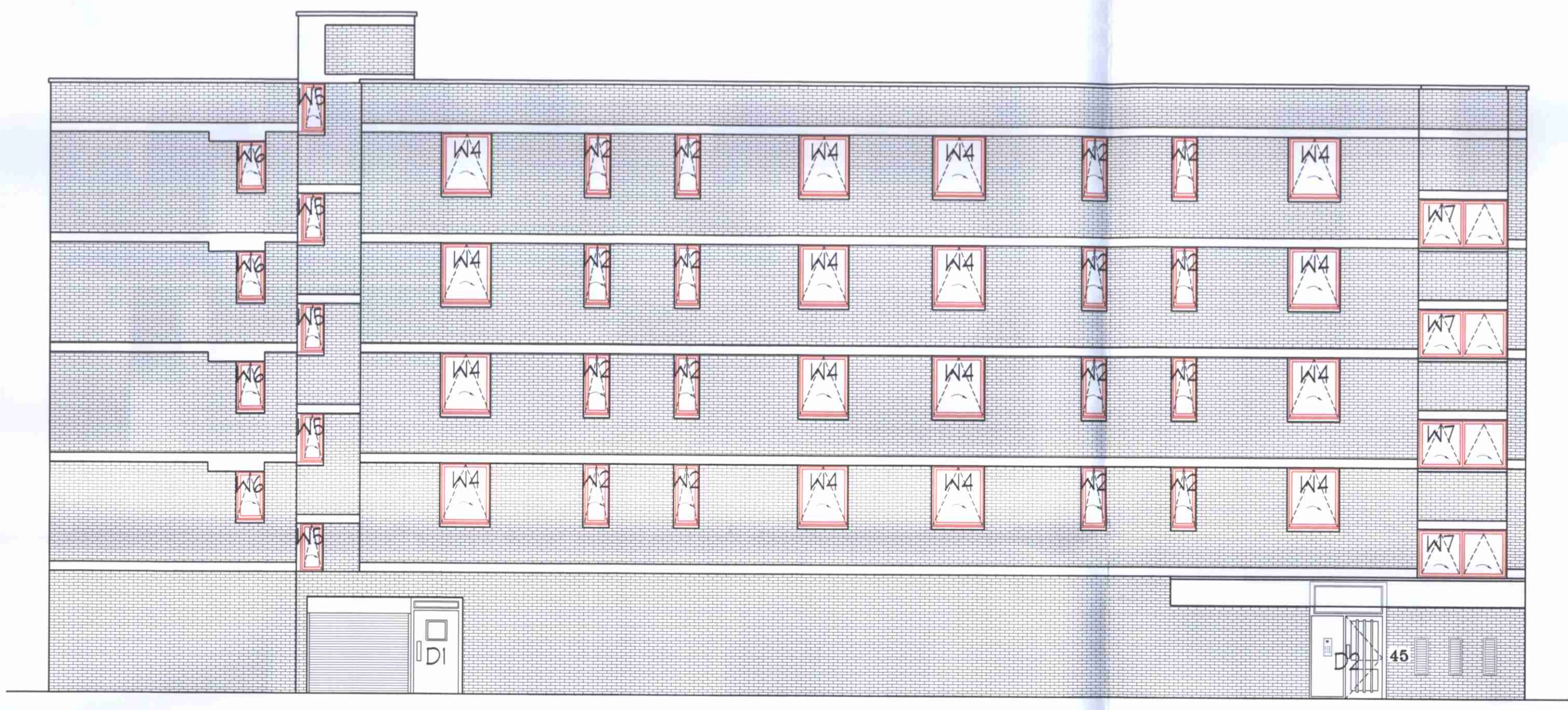


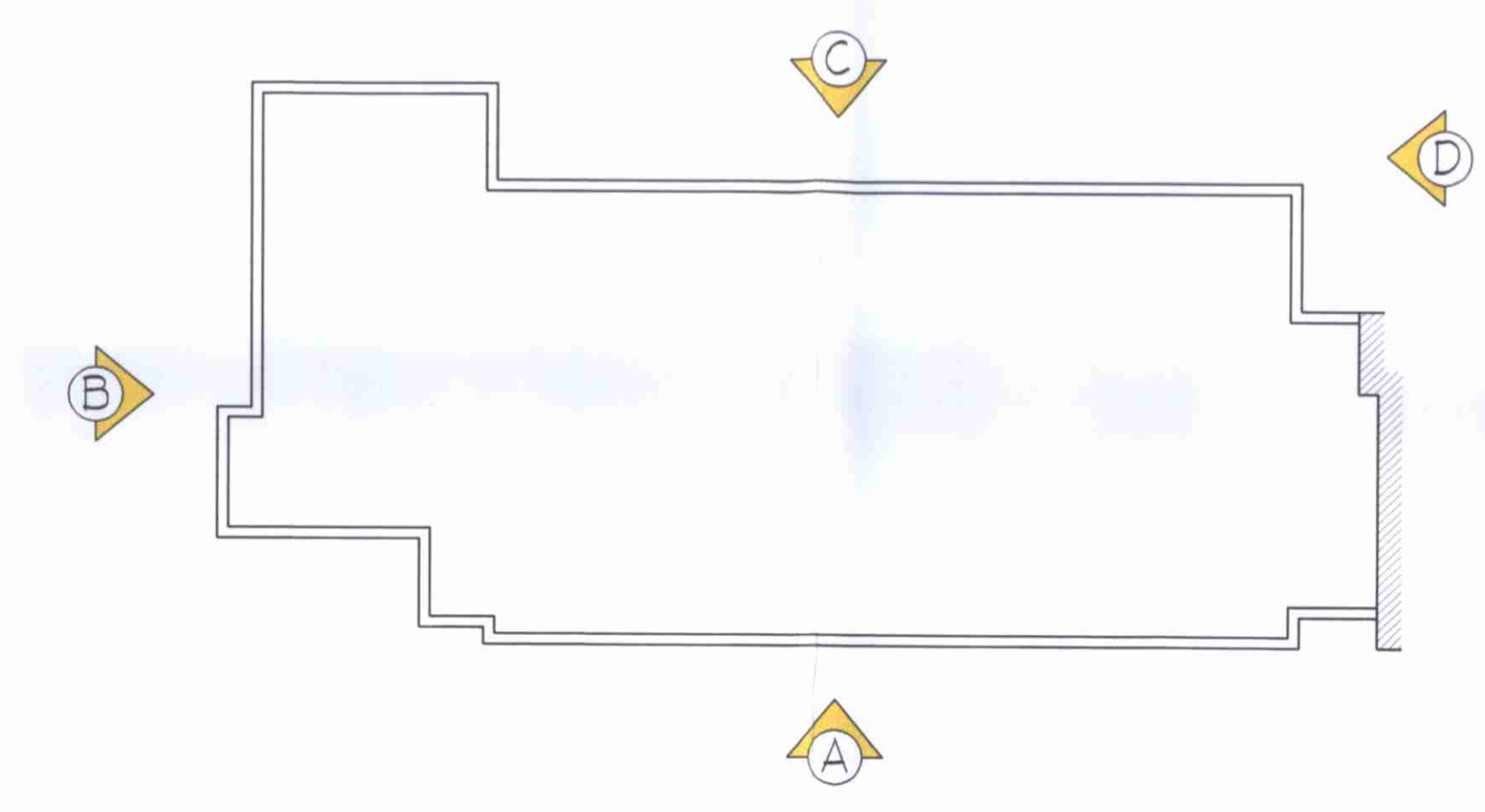
NOTES:
 1. All scaled dimensions are to be confirmed with the Architect / Project Manager.
 2. All scaled dimensions are to be taken in preference to the scaled dimensions.
 3. All dimensions must be checked on site before fabrication.
 4. Any errors or omissions must be reported to the Architect / Project Manager.
 5. All rights described in Chapter IV of the Design and Patents Act 1988 that are generally assumed.
 6. This drawing is not to be produced in part or whole without prior express permission of Frankham Consultancy Group.
 7. Materials & workmanship shall be to the best of their respective kind and in accordance with all current British Standards & Codes of Practice Statutory Authority & Manufacturers Recommendations specifications.



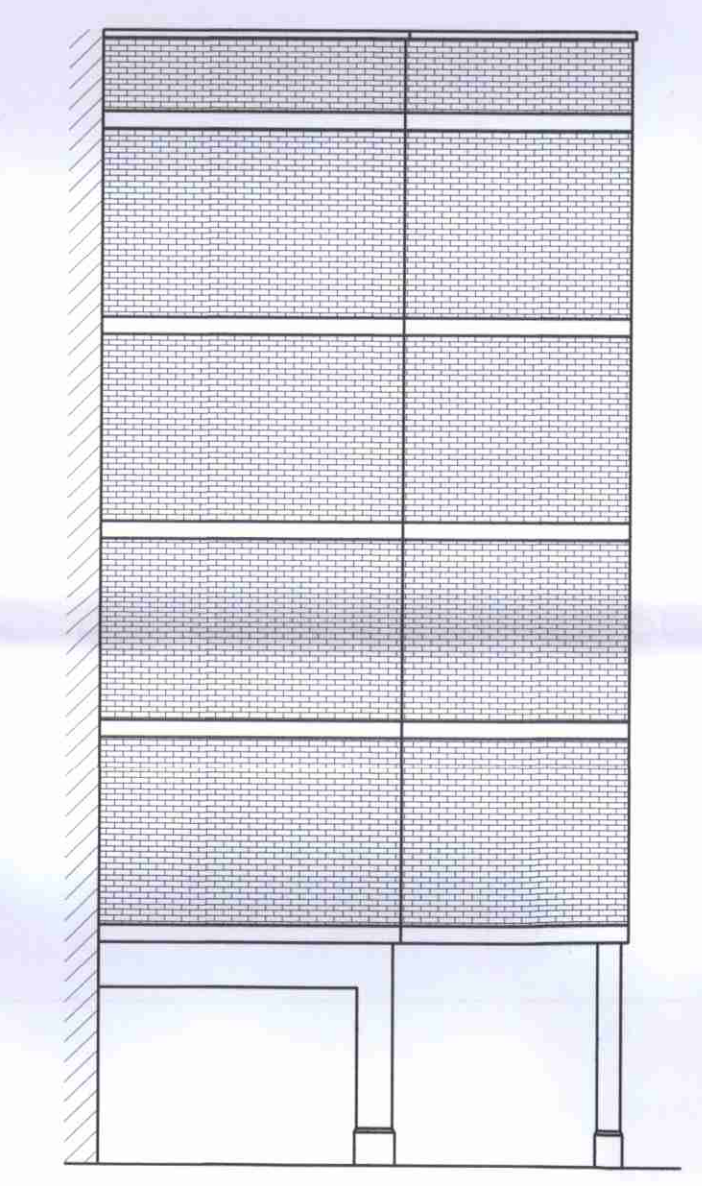
ELEVATION B
SCALE 1:100



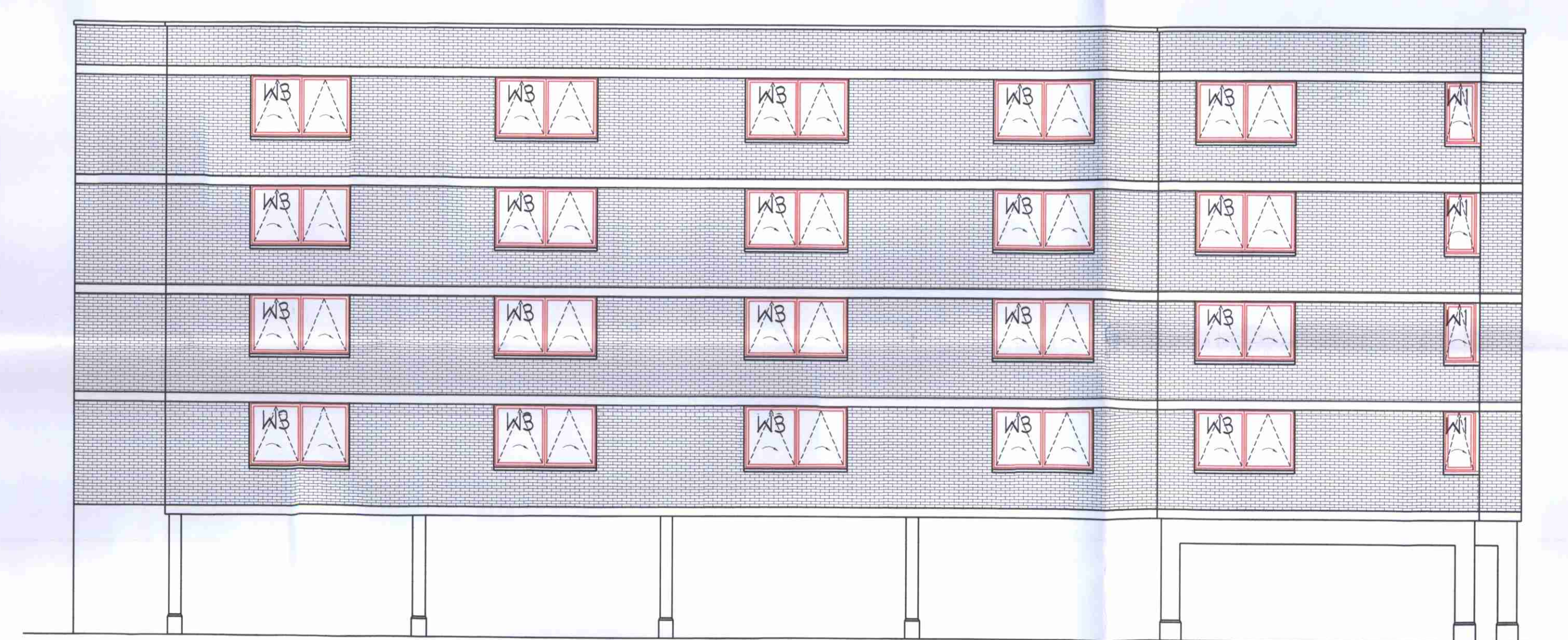
ELEVATION A
SCALE 1:100



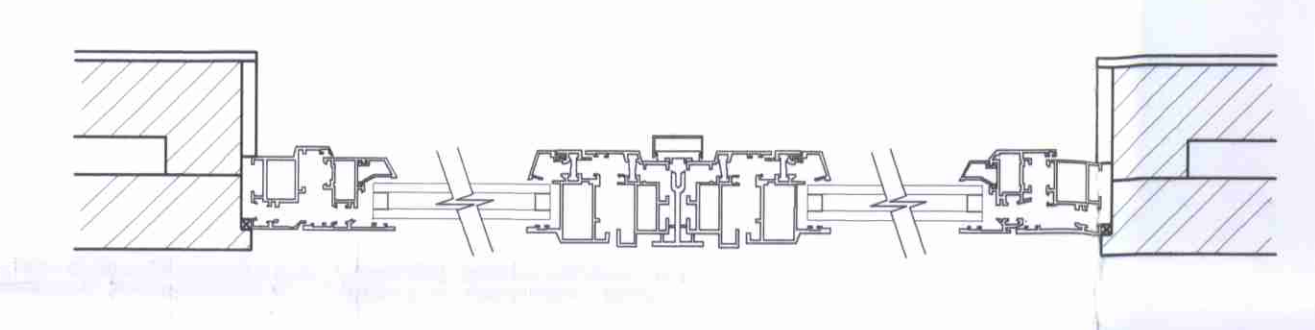
KEY PLAN
SCALE 1:200



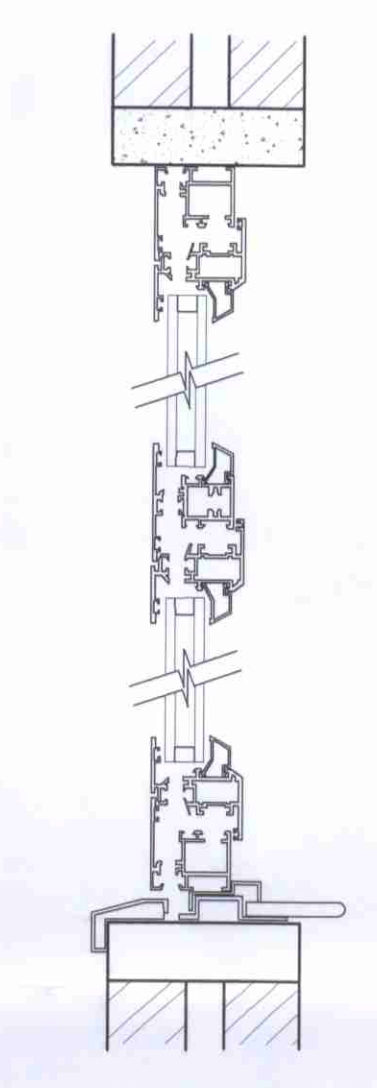
ELEVATION D
SCALE 1:100



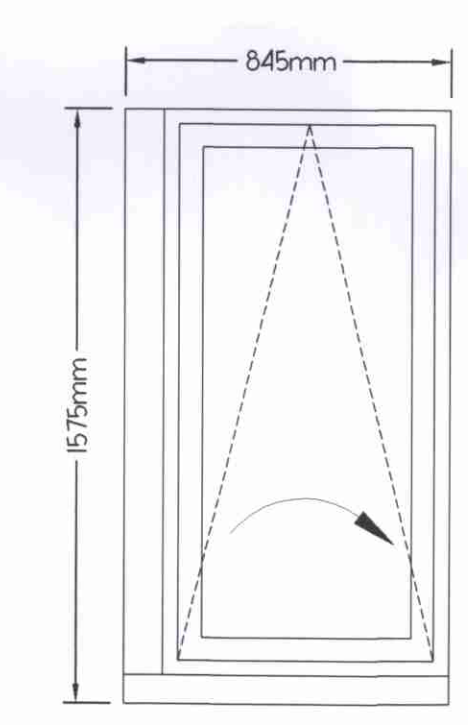
ELEVATION C
SCALE 1:100



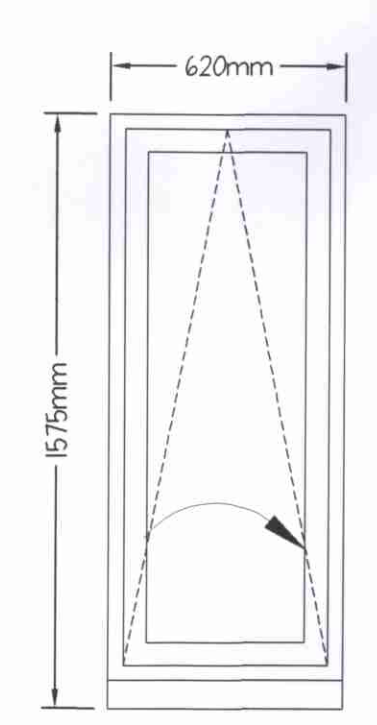
PROPOSED TYPICAL VERTICAL SECTION
OF NEW ALUMINIUM WINDOW FRAMES
SCALE 1:10



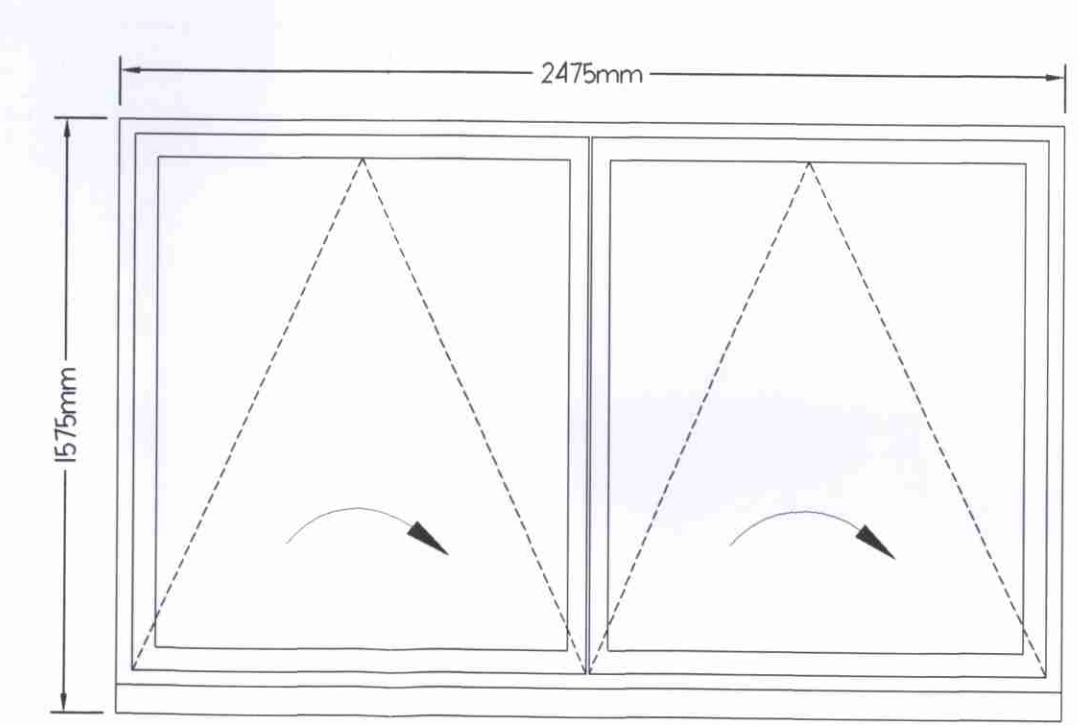
PROPOSED TYPICAL HORIZONTAL SECTION
OF NEW ALUMINIUM WINDOW FRAMES
SCALE 1:10



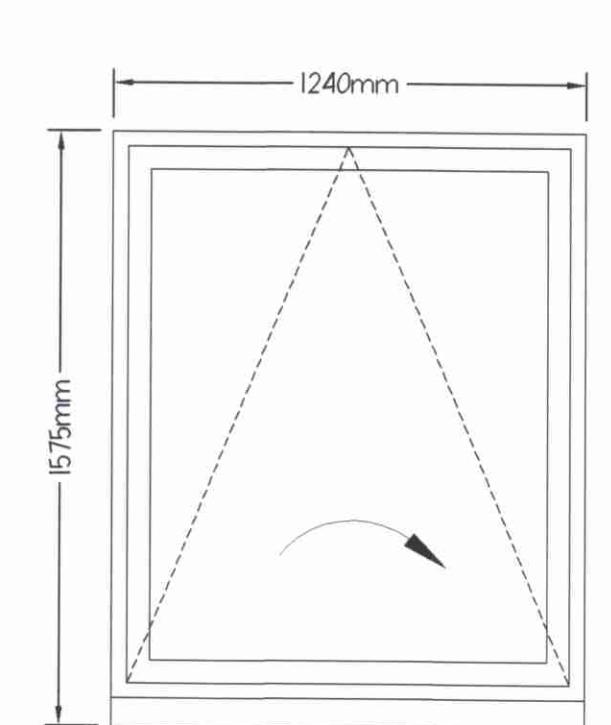
TYPE W1
SCALE 1:20



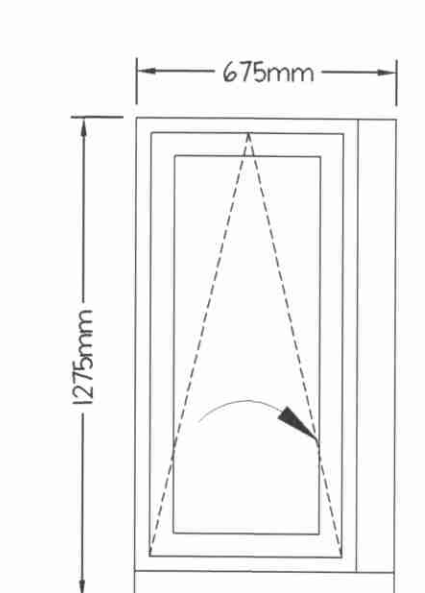
TYPE W2
SCALE 1:20



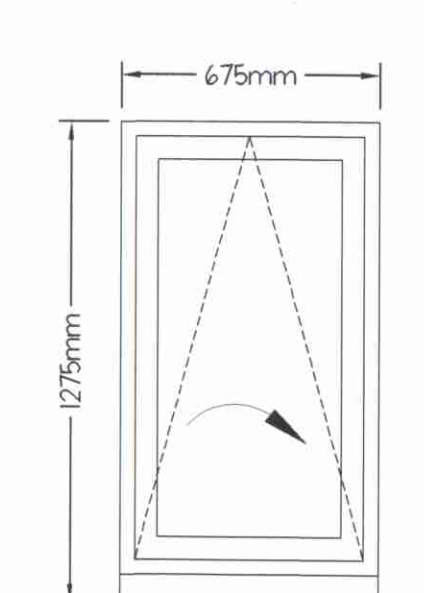
TYPE W3
SCALE 1:20



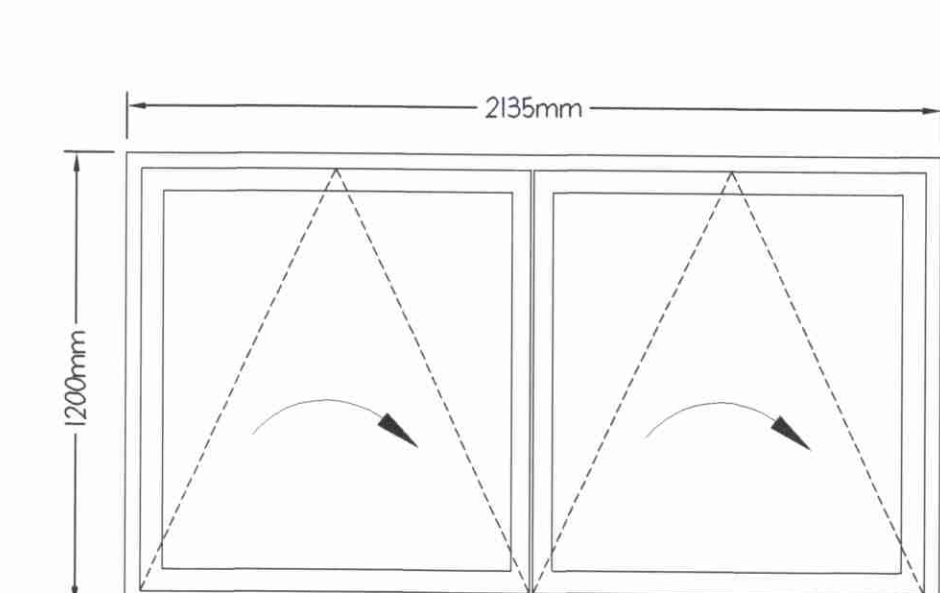
TYPE W4
SCALE 1:20



TYPE W5
SCALE 1:20



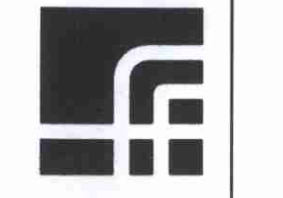
TYPE W6
SCALE 1:20



TYPE W7
SCALE 1:20

NOTE:
ALL NEW WINDOWS COMPRISE OF
TOP SWING FULLY REVERSIBLE
OPENINGS

Rev	Date	By	Check	Reasons
A	14/05	B.N.	P.C.	PRELIMINARY



FRANKHAM
 Steven Frankham Associates
 Clarence House
 21 Crook Loop
 Berkeley Heath
 Kent. DA8 5EB
 t : 020-8298-1414
 f : 020-8298-1001/0400
 e-mail : enquiry@frankham.com
 web : frankham.com

Client
LONDON BOROUGH OF CAMDEN

Job Title
LONDON BOROUGH OF CAMDEN CAPITAL PROGRAMME 2001-2003

Drawing Title
45 NEW COMPTON STREET ELEVATIONS, DETAILS, SECTIONS & SITE PLAN AS PROPOSED

Scale
AS SHOWN @ A0 Date 16/05/01

Designed by B.N. Drawn by P.C. Checked by G.D. Approved by G.D.

Autocad file ref: T:DEPT/CAD/BS/3488/3488B03A
 Drawing No. 3488/B/03 Rev. A

