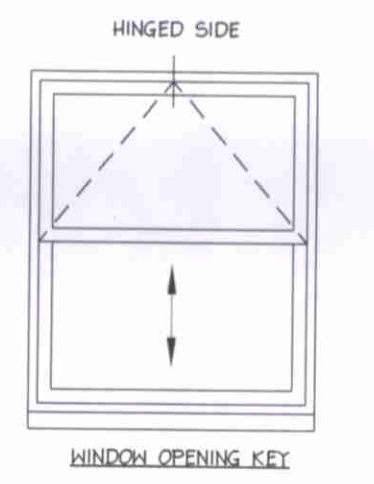
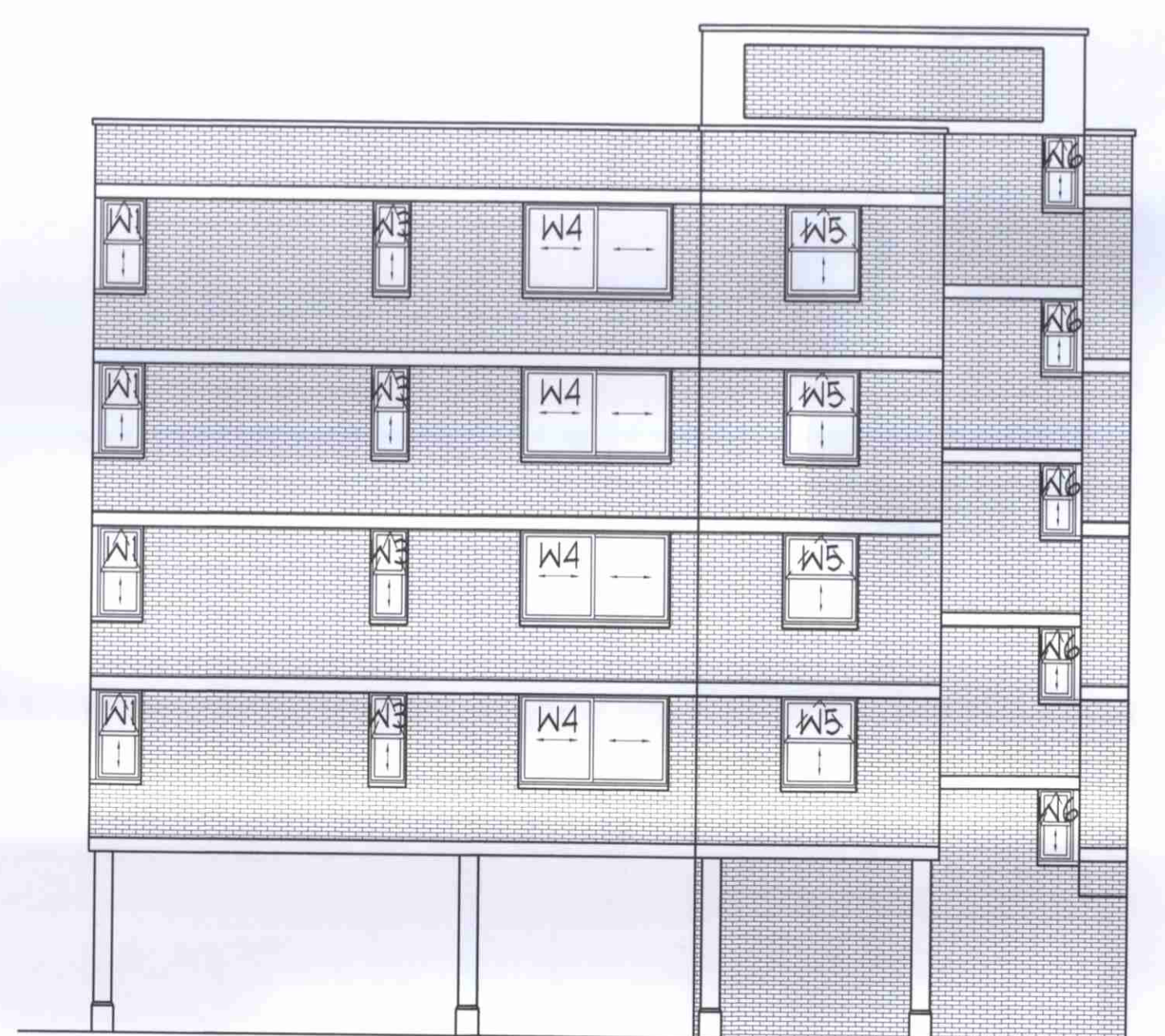


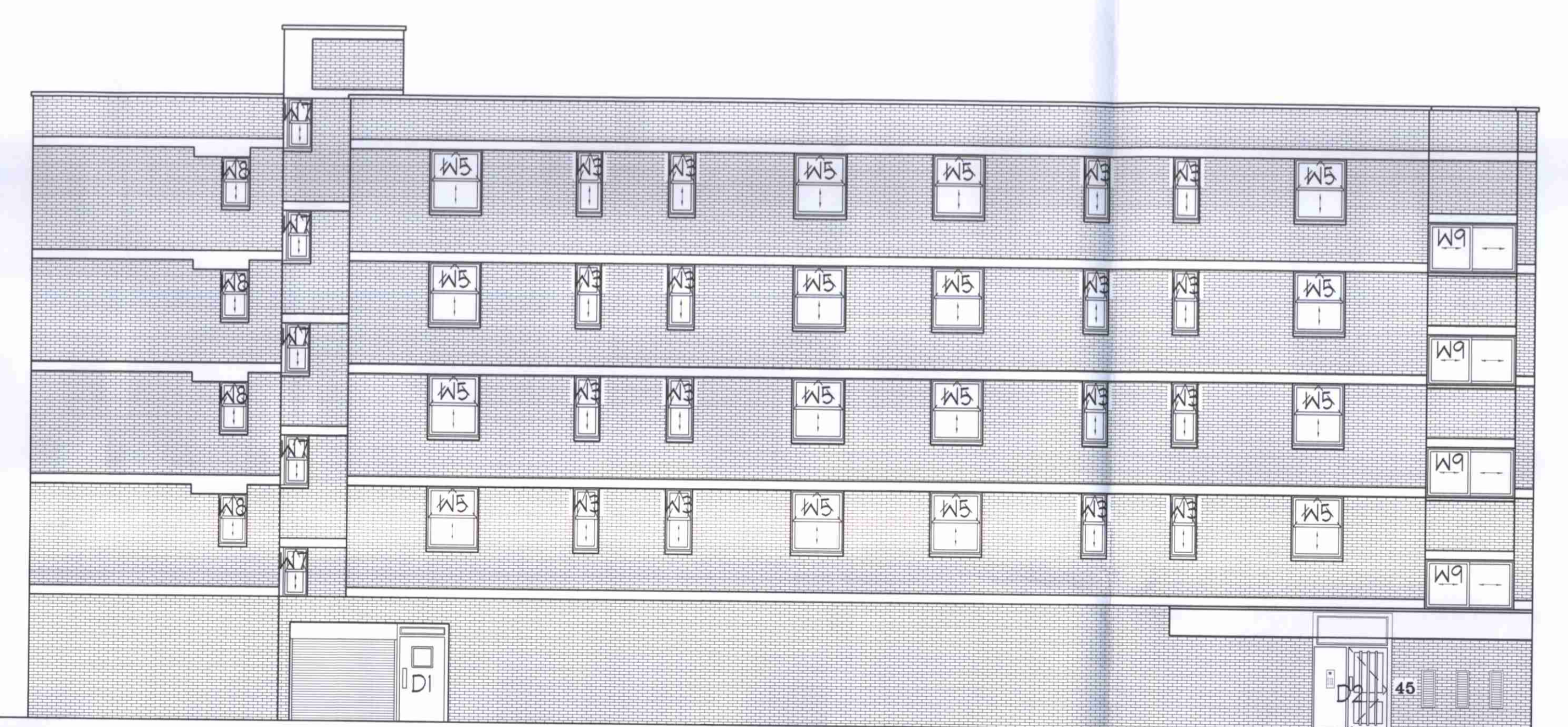
- NOTES:
- All scaled dimensions are to be confirmed with the Architect / Project Manager.
 - All scaled dimensions are to be taken in preference to the scaled dimensions.
 - All dimensions must be checked on site before fabrication.
 - Any errors or omissions must be reported to the Architect / Project Manager.
 - All rights described in Chapter IV of the Design and Patents Act 1988 have been generally asserted.
 - This drawing is not to be produced in part or whole without prior express permission of Frankham Consultancy Group.
 - Patents & copyright shall be to the best of their respective knowledge and in accordance with all current British Standards & Codes of Practice, Statutory Authority & Manufacturers Recommendations specifications.



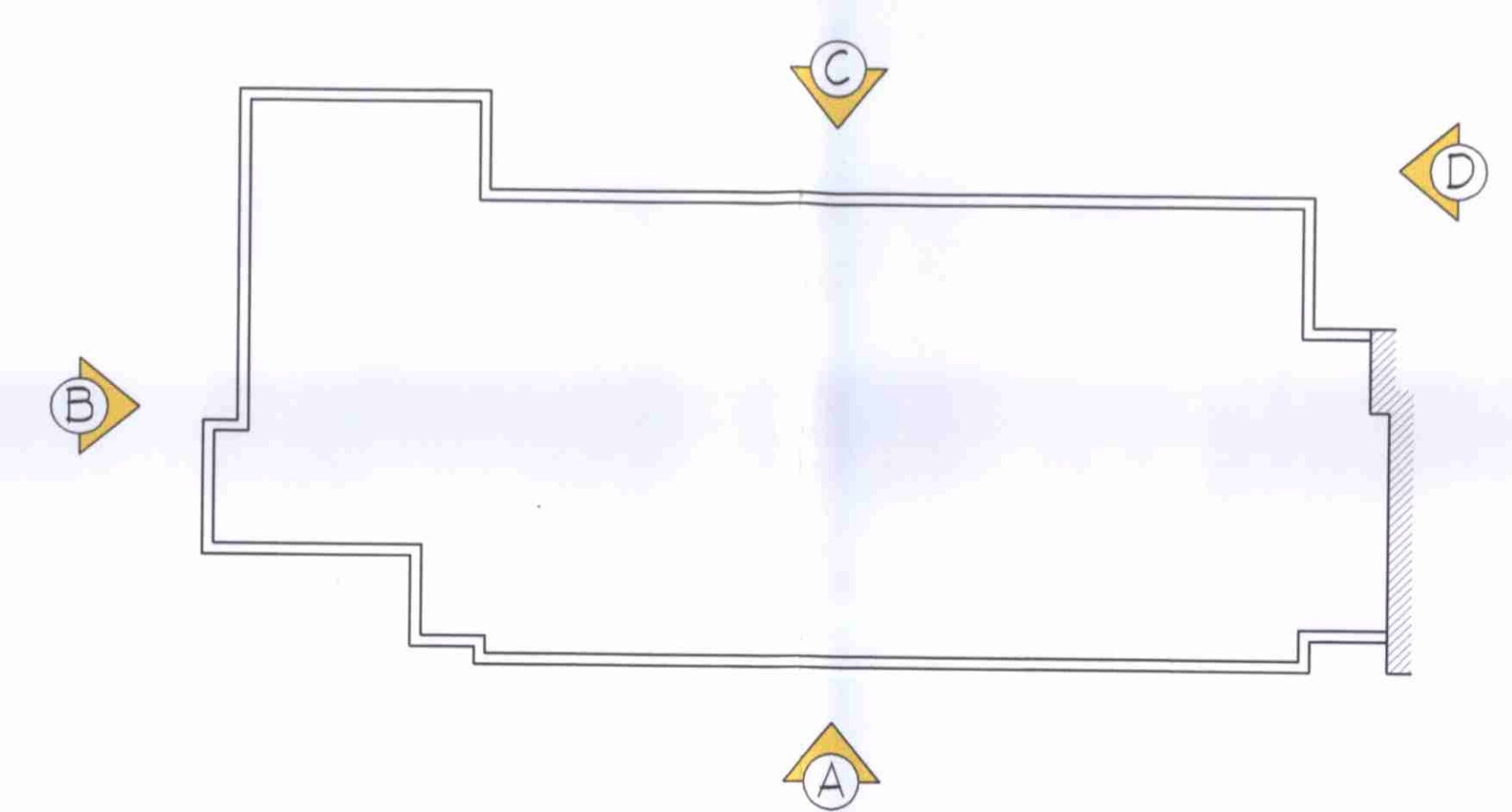
Note: All existing windows comprise of Crittal steel frames.



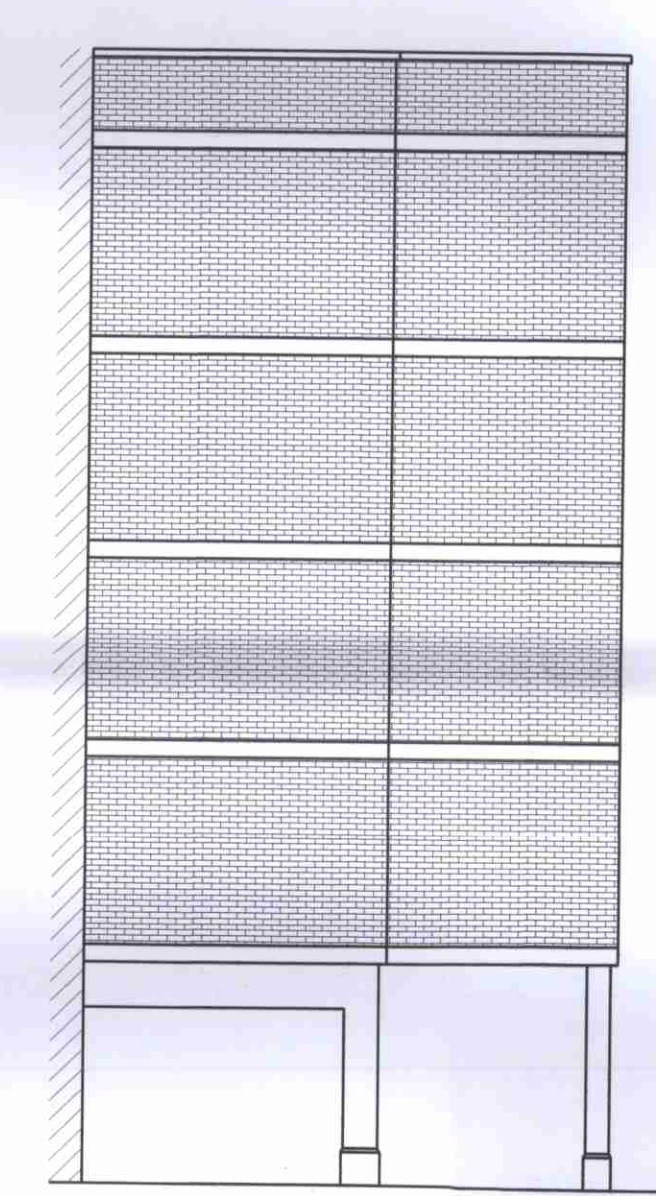
ELEVATION B
SCALE 1/100



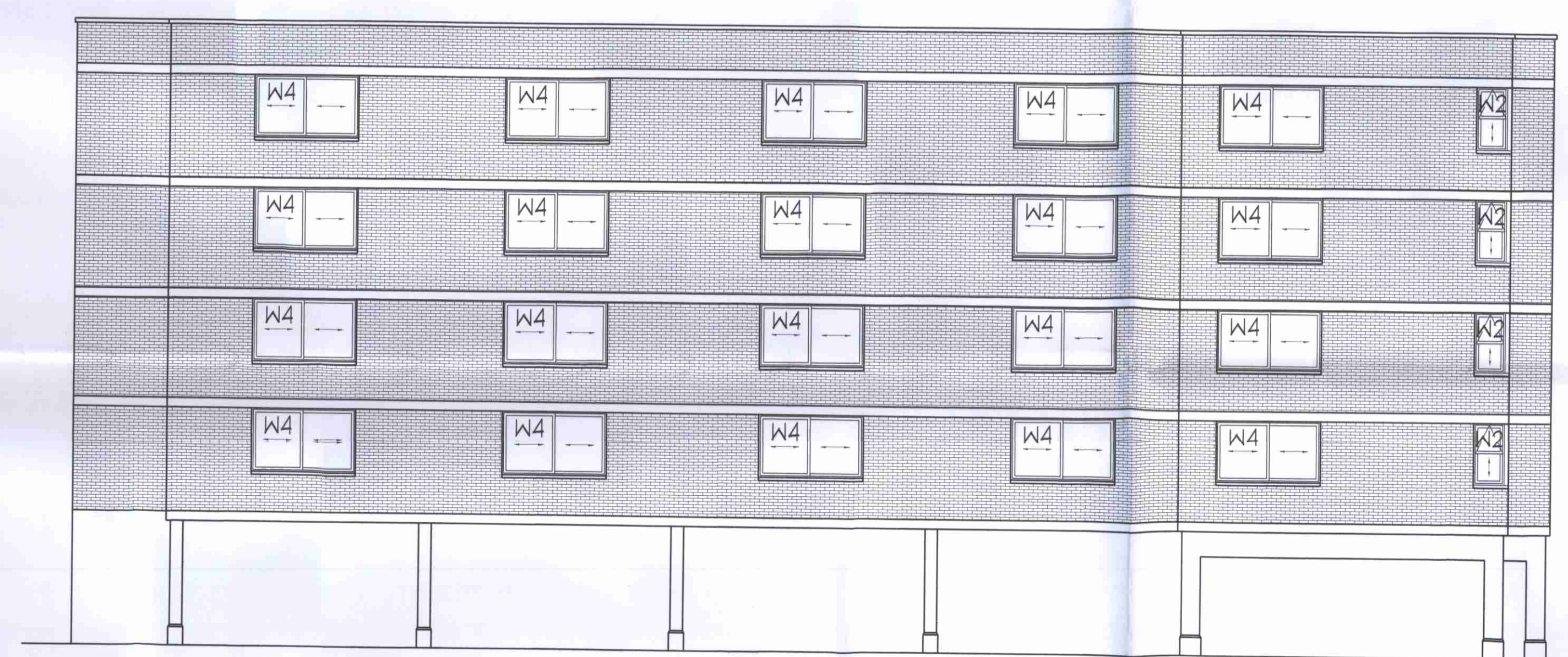
ELEVATION A
SCALE 1/100



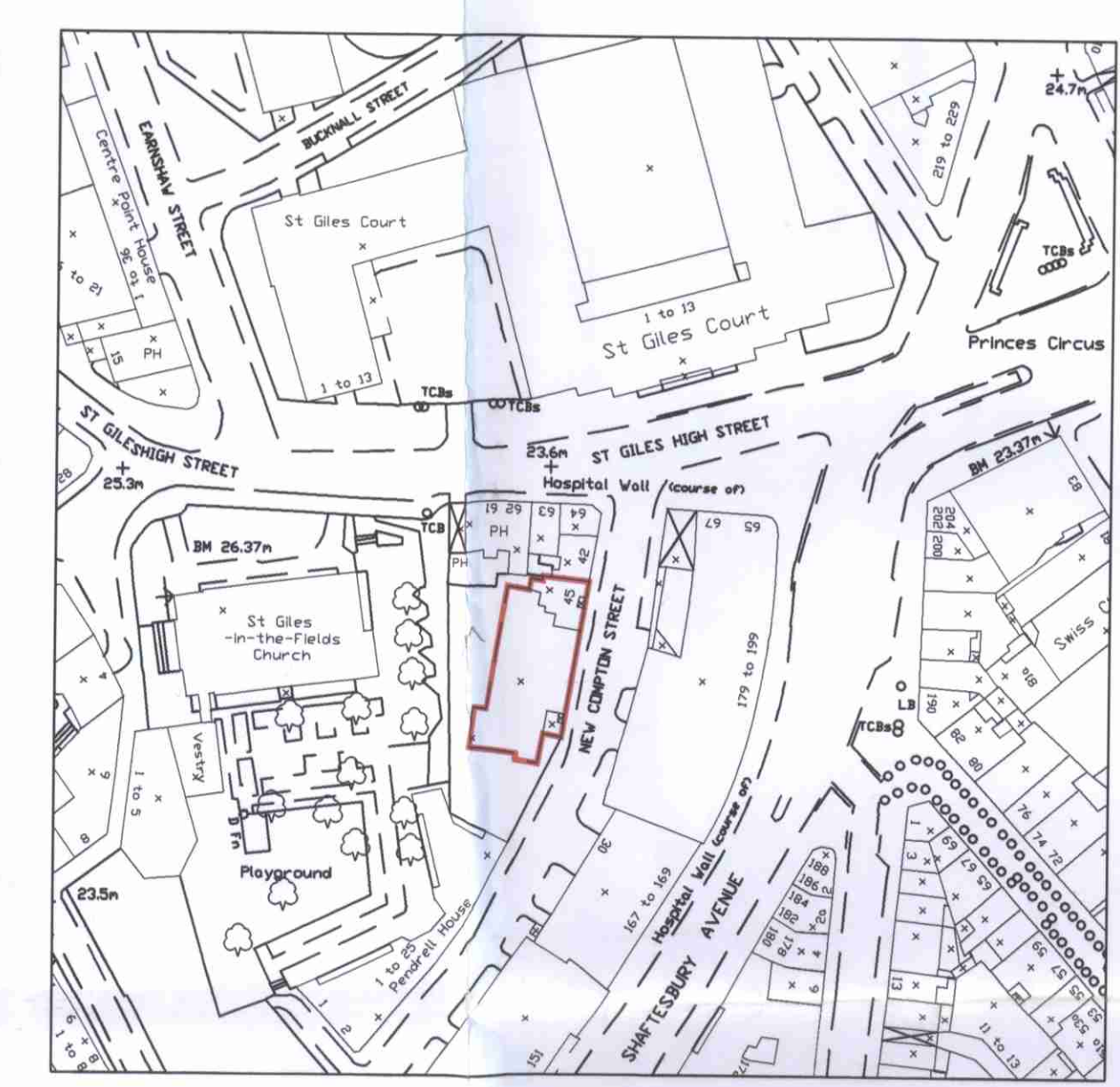
KEY PLAN
SCALE 1/200



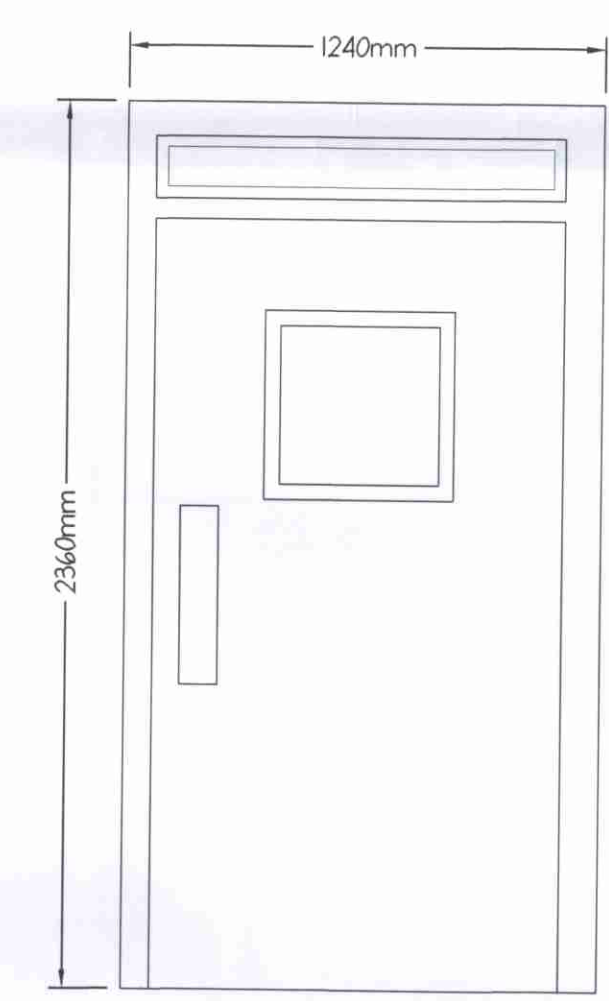
ELEVATION D
SCALE 1/100



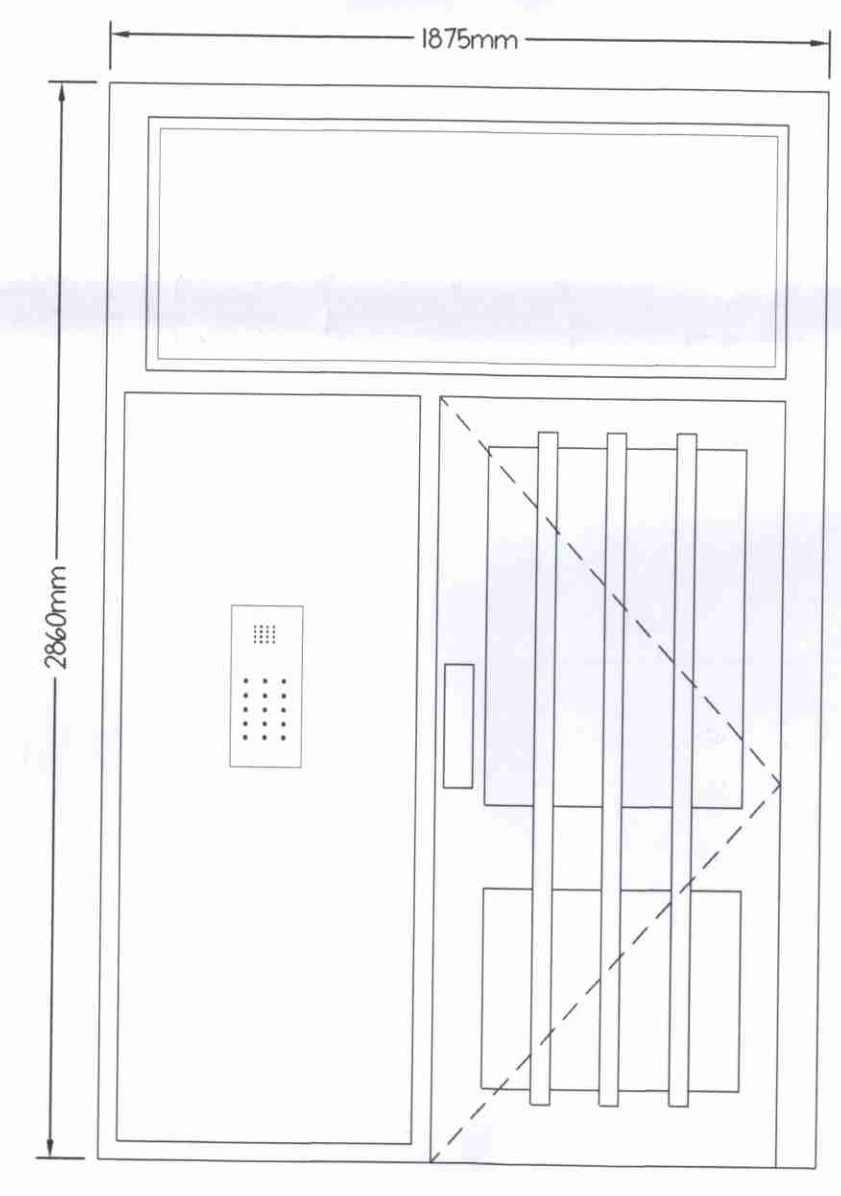
ELEVATION C
SCALE 1/100



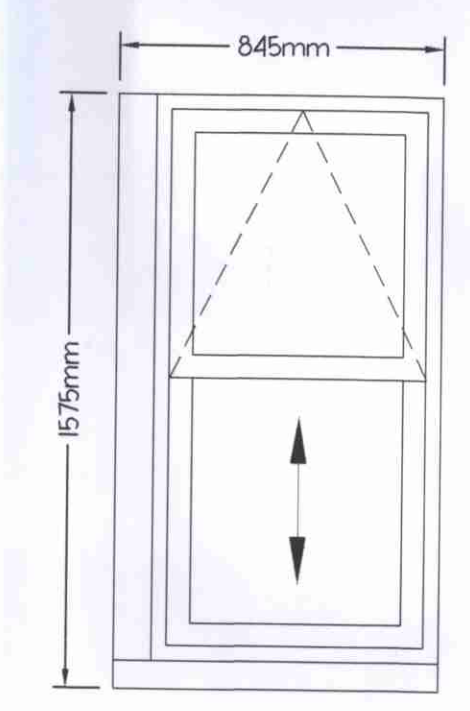
SITE PLAN
SCALE 1/1250



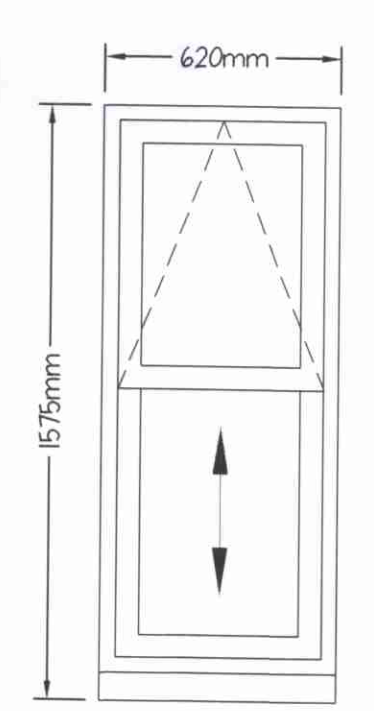
TYPE D1
SCALE 1/20



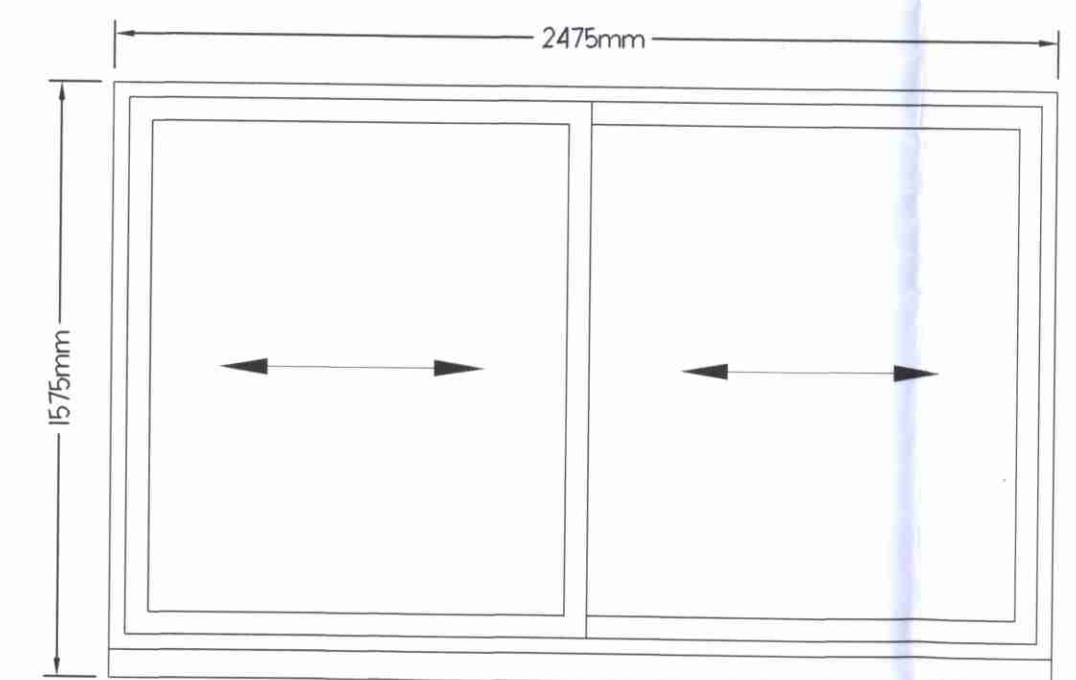
TYPE D2
SCALE 1/20



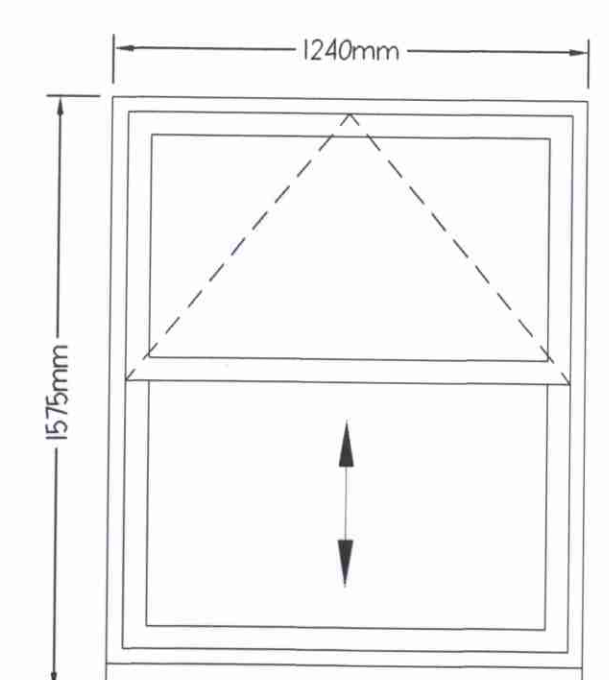
TYPE W1
TYPE W2 (TYPE W1 HANDED)
SCALE 1/20



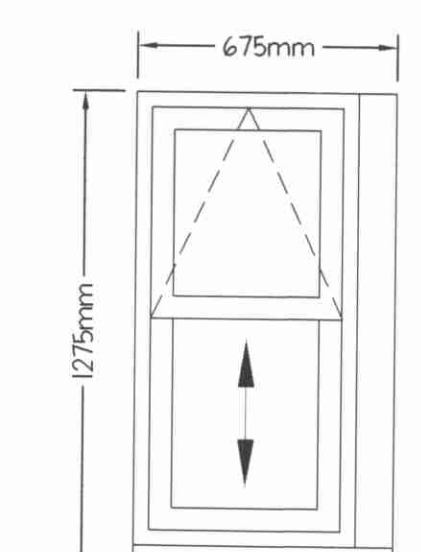
TYPE W3
SCALE 1/20



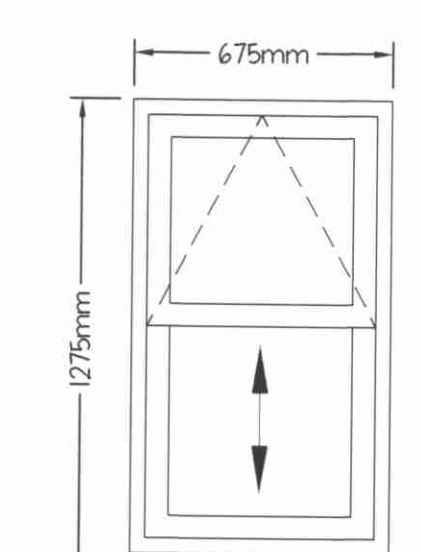
TYPE W4
SCALE 1/20



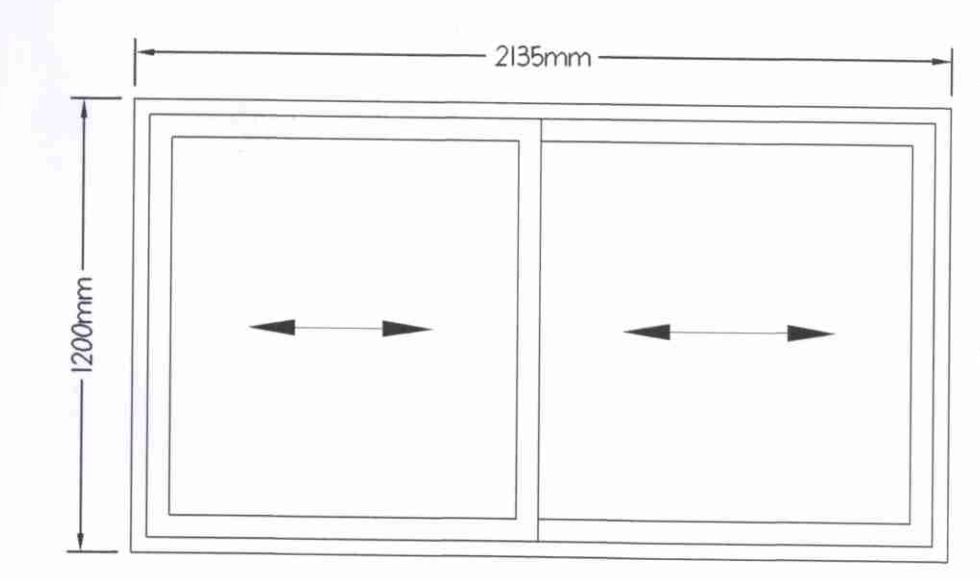
TYPE W5
SCALE 1/20



TYPE W6
TYPE W6 (TYPE W7 HANDED)
SCALE 1/20



TYPE W8
SCALE 1/20



TYPE W9
SCALE 1/20

Rev	Date	By	CHK	Reason
A	11/9/01	BN	PC	PRELIMINARY
				Revised



FRANKHAM
Steven Frankham Associates

Clarence House
21 Crook Log
Bexleyheath
Kent, DA6 8EB
t : 020-8238-1414
f : 020-8305-8888
e-mail : enquire@frankham.com
web : frankham.com

Client
LONDON BOROUGH OF CAMDEN

Job Title
**LONDON BOROUGH OF CAMDEN
CAPITAL PROGRAMME
2001-2003**

Drawing Title
**45 NEW COMPTON STREET
ELEVATIONS, DETAILS,
SECTIONS & SITE PLAN
AS EXISTING**

Scale
AS SHOWN @ A0 Date 11/9/01

Designed by B.N. Drawn by P.C. Checked by G.D. Approved by G.D.

Autocad file ref: T:DEPT/CAD/BS/3488/3488B02A

Drawing No. 3488/B/02 Rev. A

