

Front Elevation
Scale 1:50



Fascia panel is folded and welded 1.2mm darkened patina zinc.

All the existing letters are fitted to the fascia panel.

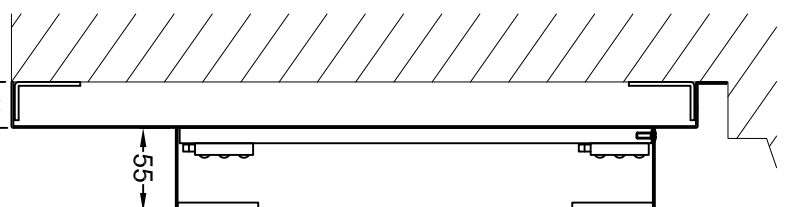
Built-up 'COCO' letters have 1.2mm descaled stainless steel face rims and returns which are finished red Dulux 10YR 13/437. Rims hold 5mm opal acrylic faces which have red vinyl on the face which have lines cut out to reveal the opal acrylic. Fitted with low energy warm white LEDs for face illumination of the exposed lines.

Built-up 'DI MAMA' letters text to have 1.2mm descaled stainless steel returns which are finished red Dulux 10YR 13/437. Bullnosed 15mm opal acrylic faces have stained glass red paint. Fitted with low energy red LEDs for face illumination.

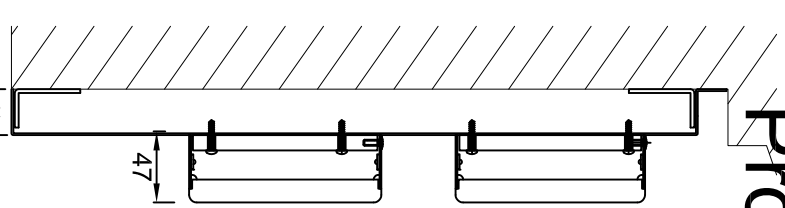
Built-up 'ITALIAN TO GO' letters have rebated 5mm opal acrylic faces which have 1.2mm dark patina zinc inlaid flush into the face.

1.2mm dark patina zinc soldered returns.
No illumination.

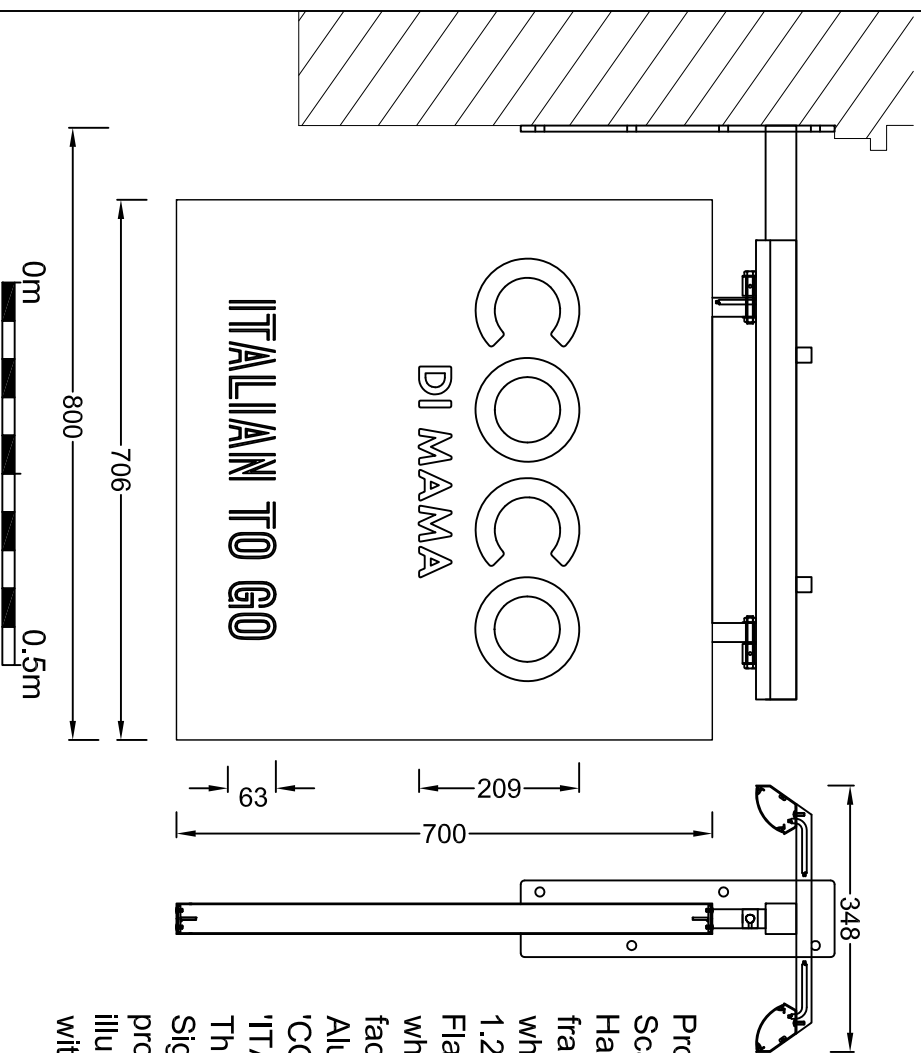
Section A-A through the text
Scale 1:5



Section B-B through the text
Scale 1:5



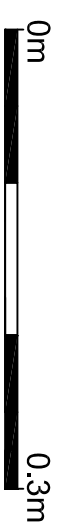
Proposed



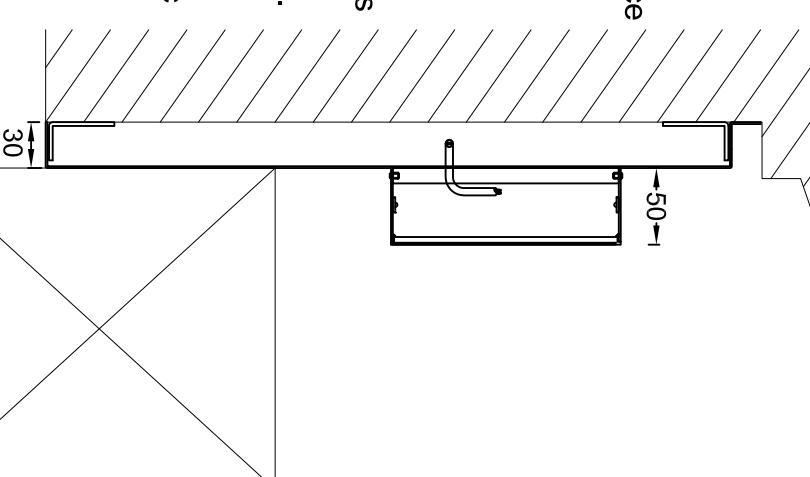
Projected sign - 1 off

Scale 1:10

Hanging sign has a steel inner frame covered by outer panels which are folded and welded 1.2mm dark patina zinc. Flat cut text is 2.5mm aluminium which is bonded to the panel faces.
Aluminium is finished red for the 'COCO' letters and white for the 'ITALIAN TO GO' letters. The 'ITALIAN TO GO' letters. Sign hangs from a black steel projecting arm and is externally illuminated by black troughs fitted with low energy warm white LEDs.



Section C-C through the text
Scale 1:5



A Letter specs given

17/05/19



Technical Signs
Floor 1 - Unit 3
Hille Business Centre
132 St Albans Road
Watford, Herts, WD24 4AE
Tel: 01923 811999
Fax: 01923 811998
E-mail: info@technicalsigns.co.uk

Client: Cocco Di Mamma		Address/job details	
9-11 Tottenham St		Fitzrovia	
W1T 2AQ		Proposed Signage	
Job No. -	Date	Job No. -	Date
DN	27/03/19	DN	27/03/19
Scale	As specified (A3)	Drawing No	596080-2
Rev	A	Rev	A