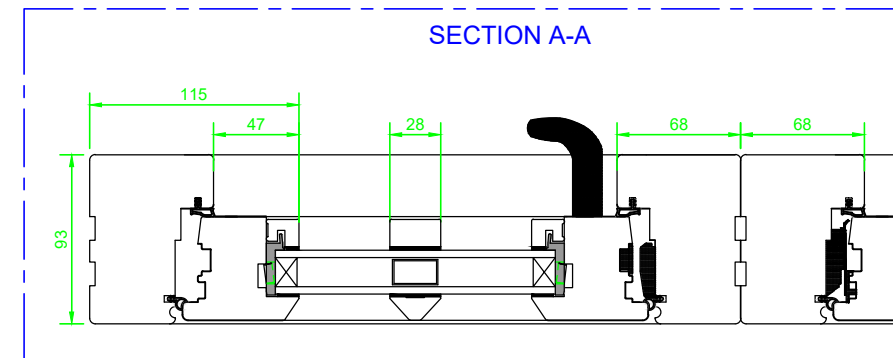
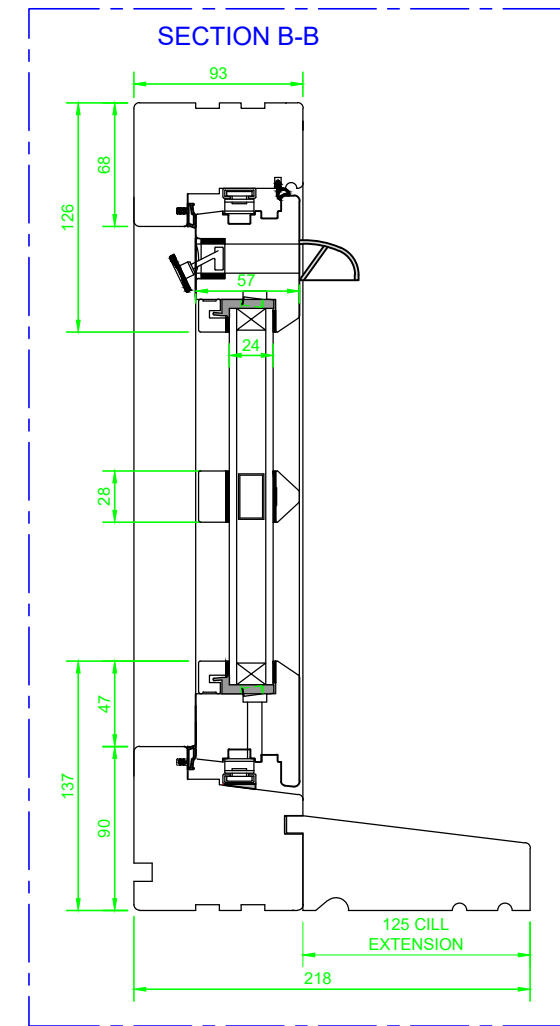


WINDOWS
29 / 32 / 36 / 37 / 39 / 42 / 44 / 45 /
47 / 51 / 52 / 56



Copyright Mumford & Wood Ltd 2008

	PRODUCTION	CUSTOMER	PRJ - no.	17091077	REVISIONS		
Approved by			Drawing no.	03	rev	by	Date
Sign			Date	09/05/2019			
Date			Drw	MB	Scale	1:16/1:4	
Title	WINDOWS 29/32/36/37/39/42/44/45/47/51/52/56 ELEVATION & SECTIONS						
	PROJECT BUILDING & CONSULTANCY						
	13 TAVISTOCK PLACE, LONDON						



Mumford & Wood Limited,
Tower Business Park, Kelvedon Road,
Tiptree, Essex CO5 0LX
Tel: (01621) 818155 Fax: (01621) 818175
Web: www.mumfordwood.com