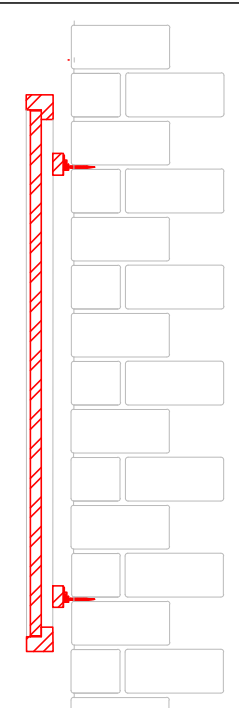
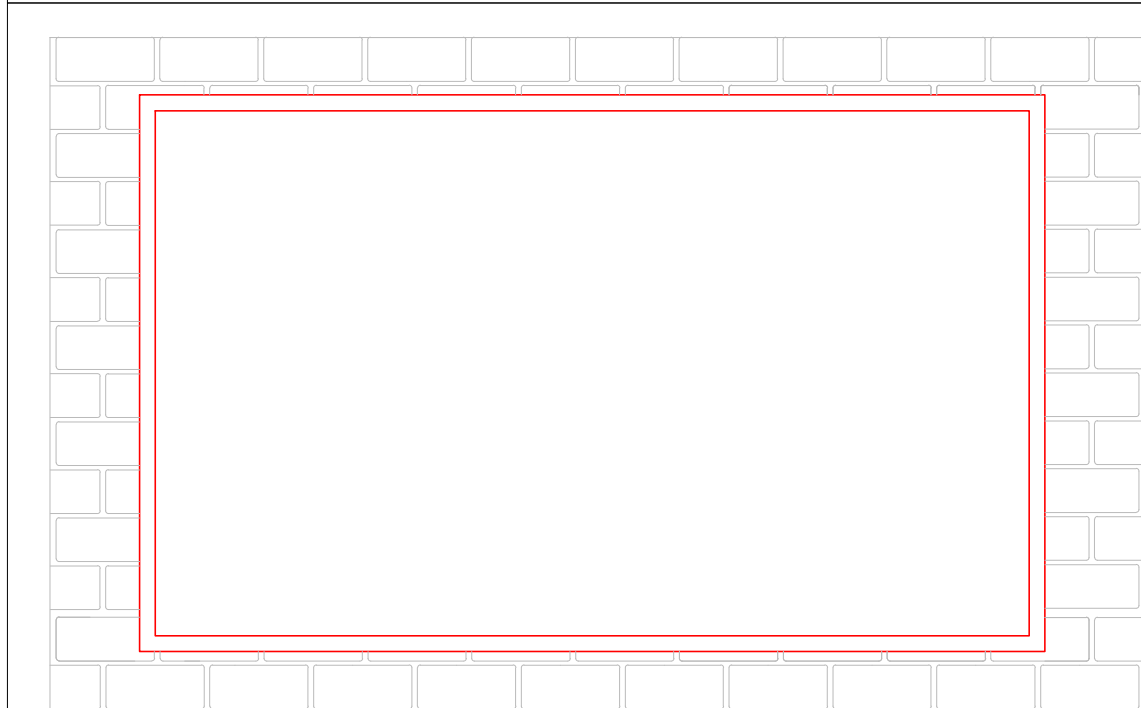
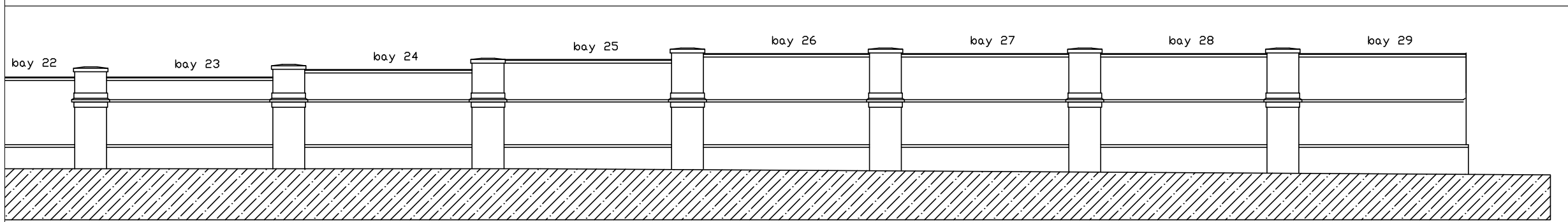
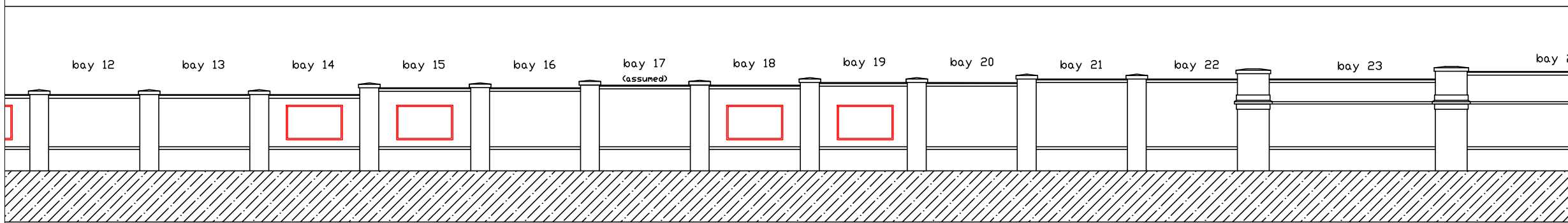


Please note that information used to produce these drawings is based on measured survey supplied by others; Heritage Architecture can not be held responsible for any inaccuracies that may exist. Please do not scale drawings. All dimensions should be verified on site.



PROPOSED SIGNAGE

Advertisement sign dimensions: 1300mm x 2075mm, built using 12 boards of 25x152mm

Camden Stables Market
London
NW1
United Kingdom

STANLEY SIDINGS

Camden Stable Market
HORSE HOSPITAL


Drawing Title
PROPOSED SIGNAGE DESIGN
OPTION 2

To fit A3

Drawing Status
Listed Building Consent

Drawing No
SM-Signage-HH01

July 2015



STEPHEN LEVRANT HERITAGE ARCHITECTURE
62 British Grove, London, W4 2NL T: 020 8748 5501
E-mail: info@heritagemail.co.uk