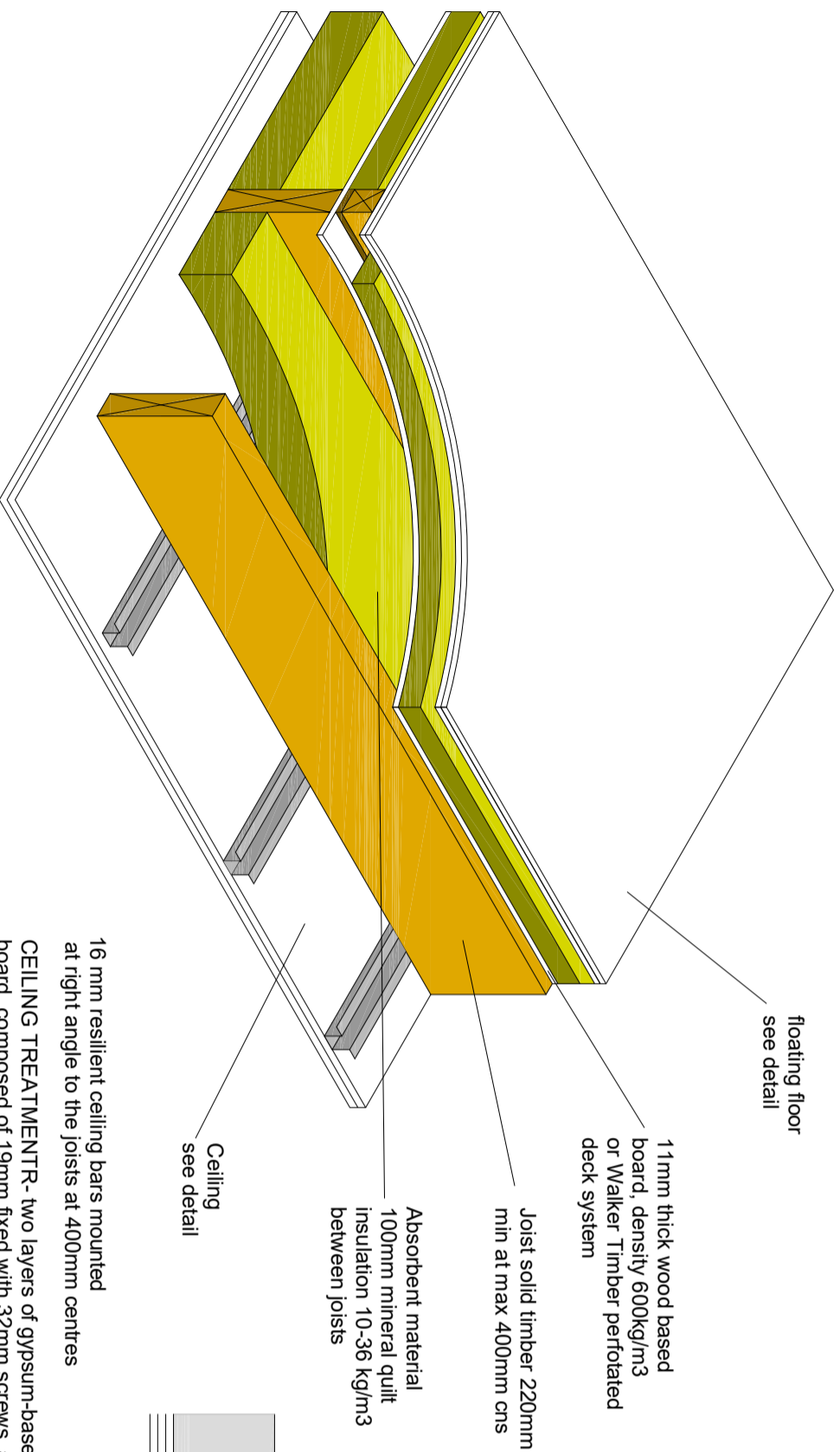


# FLOATING FLOOR ROBUST DETAIL E-FT-2



floating floor  
see detail

11mm thick wood based board, density 600kg/m<sup>3</sup> or Walker Timber perforated deck system

Joist solid timber 220mm min at max 400mm cns

Absorbent material  
100mm mineral quilt insulation 10-36 kg/m<sup>3</sup> between joists

Ceiling  
see detail

16 mm resilient ceiling bars mounted at right angle to the joists at 400mm centres

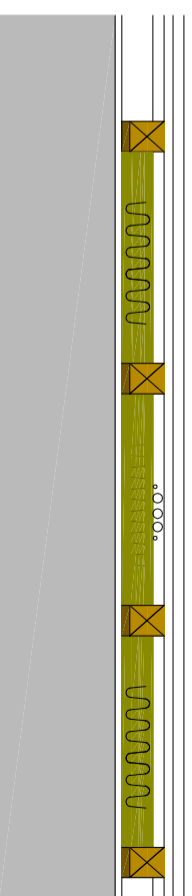
CEILING TREATMENT-R- two layers of gypsum-based board, composed of 19mm fixed with 32mm screws, and 12.5mm fixed with 42mm screws

CEILING TREATMENT CT2- two layers of gypsum-based boards composed of 15mm with 25mm screws and second layer of 15mm gypsum-based board fixed with 42mm screws.

25MM RESILIENT BARS WITH CT3- 25mm metal resilient ceiling bars mounted at right angles to the joists at 400mm centres.

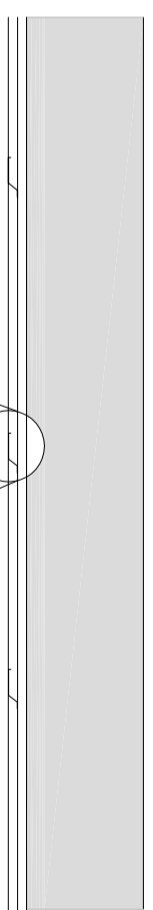
CEILING TREATMENT CT3- two layers of gypsum-based board, composed of 10mm fixed with 30mm screws and second layer of 10mm fixed with 30mm screws.

## E-FT-2 FLOATING FLOOR DETAIL



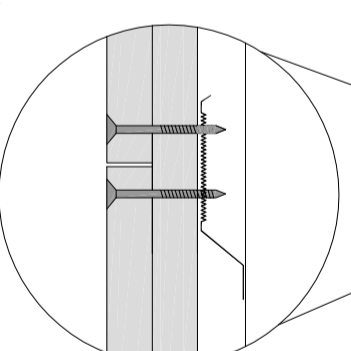
18mm t&g flooring  
gypsum based board 13.5kg/m<sup>2</sup> density  
FFT-1 resilient composite deep battens  
resilient layer must be continuous and not pre bonded to batten  
battens may have resilient layer at top or bottom  
60mm 10-36 kg/m<sup>3</sup> mineral wool between battens

services located above  
or below quilt



E-FT-2

## CEILING TREATMENT.



TITLE PROPOSED DRAWINGS

CLIENT RAINBOW PROPERTIES LTD

ADDRESS FLAT 10, CHURCH STUDIOS, 49-51 CAMDEN PARK ROAD  
LONDON NW1

SCALE 1:100 @ A3

DRAWING NO. 190510/13

DATE MAY 2019

REV.



URBAN REGEN LONDON Ltd.

Tel: 07970 647 449 Fax: 020 8963 9991 Email: urlondon@aol.com