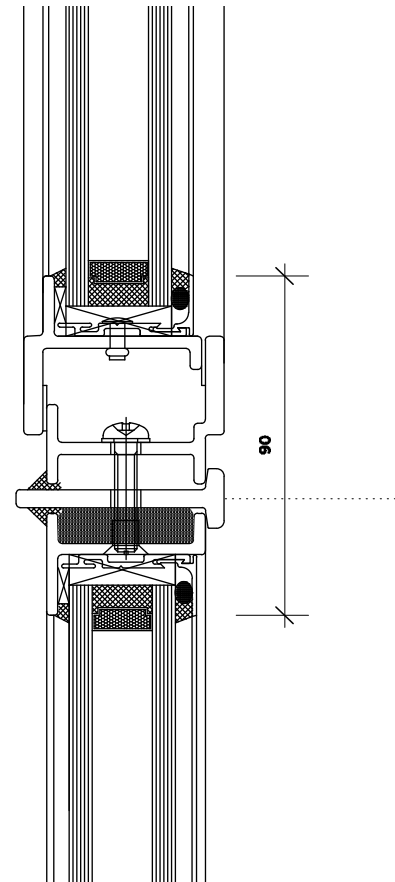


Direct Fix
Frame fixed directly into opening -
to supplier's detail

OPENING LIGHT
Typical Head/Cill detail

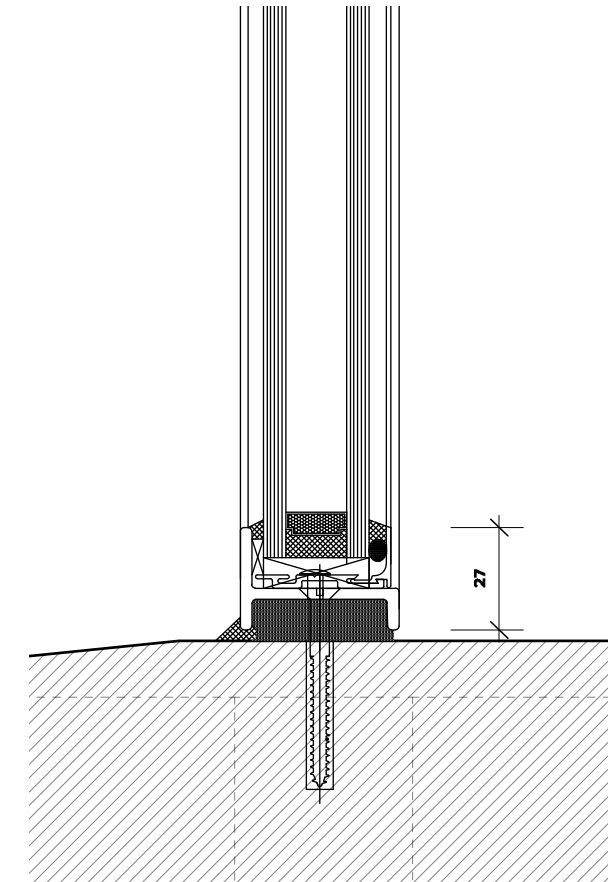
55mm profile



Jamb Fixing Bar
Fixed panes connected to frames
of opening lights via a fixing bar,
utilized both in horizontal and
vertical planes - to supplier's detail.

JUNCTION DETAIL
Typical Transom/Mullion detail between an
opening light and a fixed pane

92mm profile



Direct Fix
Frame fixed directly into opening,
same detail at head, jamb and cill
for fixed panes - to supplier's detail.

FIXED PANE
Typical Head/Jamb/Cill detail

27mm profile

