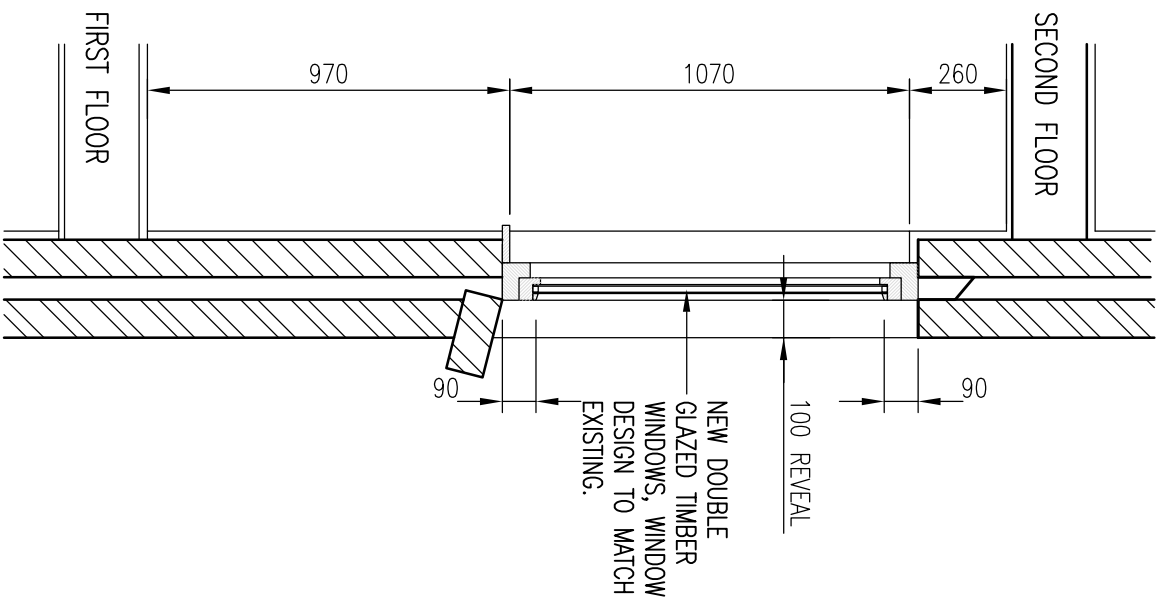


**SECTION THROUGH EXISTING  
WINDOW ON EAST ELEVATION  
(TYPICAL OF ALL WINDOWS)**

SCALE 1:20



**SECTION THROUGH PROPOSED  
WINDOW ON EAST ELEVATION  
(TYPICAL OF ALL WINDOWS)**

SCALE 1:20

REF	CHANGES	BY	DATE
A	MATERIAL OF PROPOSED WINDOW CHANGED TO TIMBER	RN	23.04.19

**SECTION THROUGH WINDOW  
EXISTING AND PROPOSED  
11 BEAUMONT WALK  
NW3 4SW  
LONDON**

Project No.		Discipline		Drawing No.	
WE02607		S		15	
Scale		Date		Revision	
1:20		03/19		A	
Drawn	Checked	Sheet Size			
RN		A4			