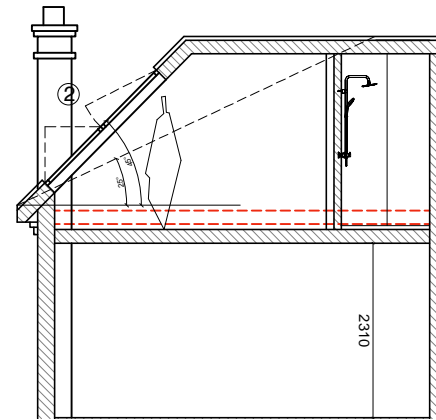
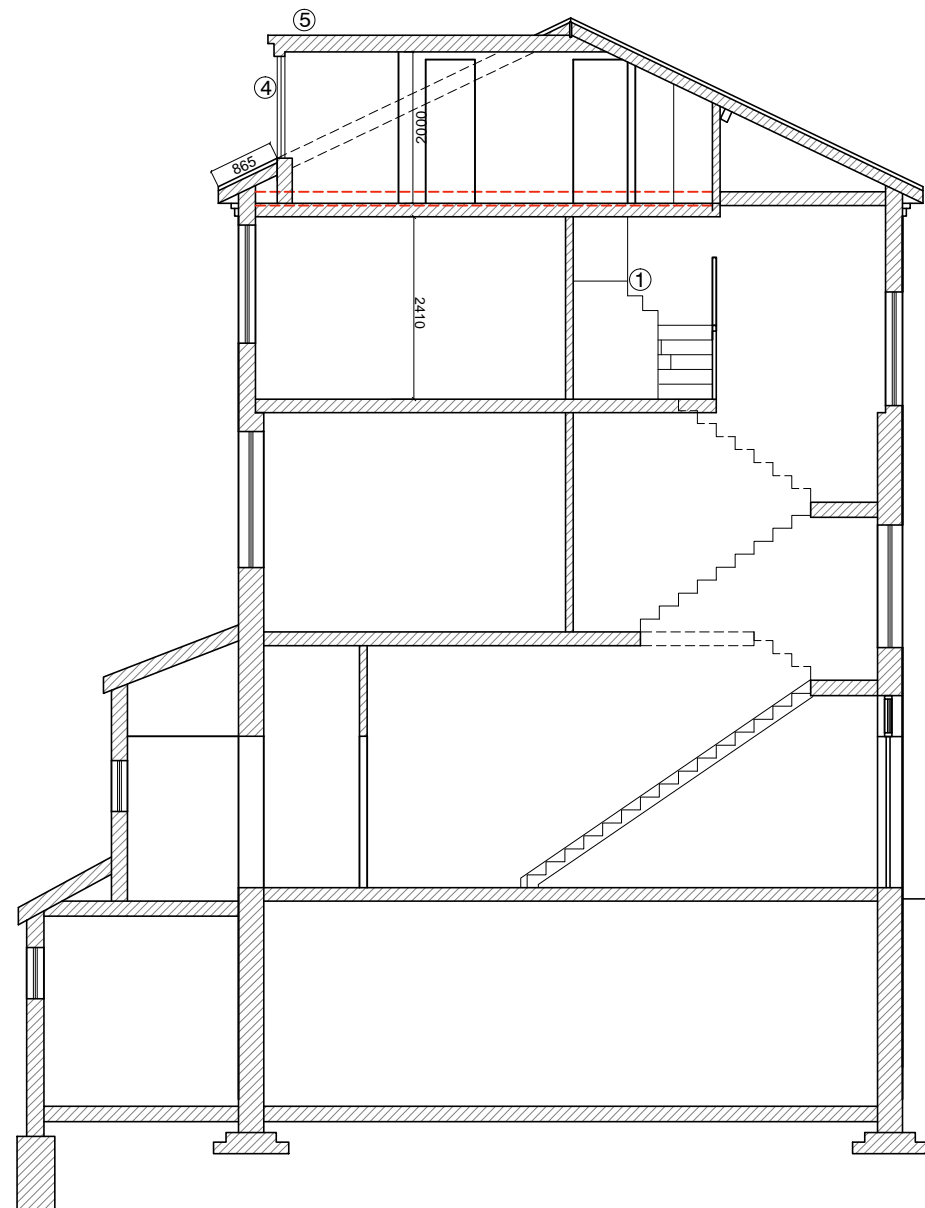


revision	date	
A	Section BB amended and section CC added	27.11.18
B	Dormer lower than ridge line	28.11.18
C	Issued for planning	17.02.19
D	Section A-A moved from AP(00)08	01.05.19

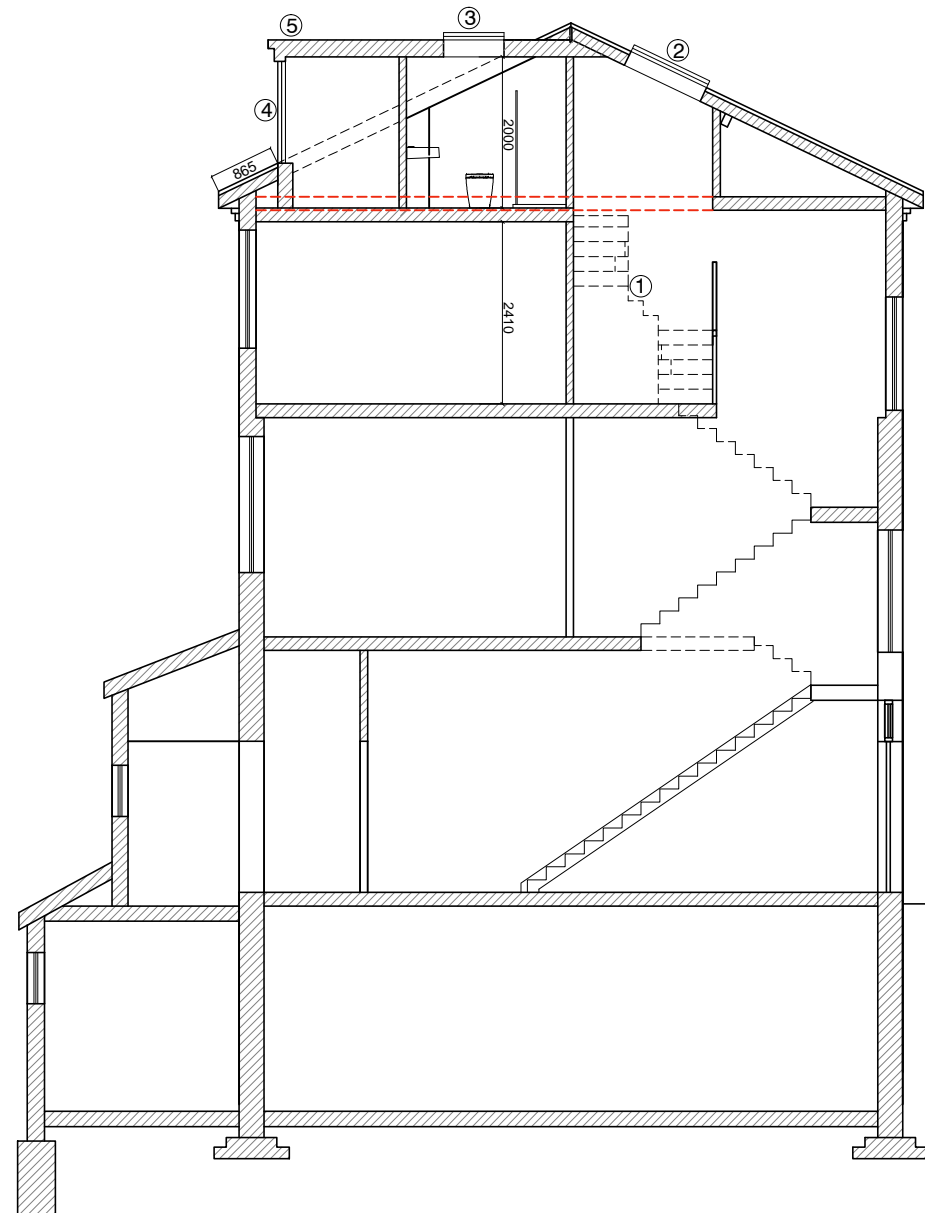
- ① New winding stair to loft room
- ② Conservation style roof light
- ③ Flat roof light
- ④ Double glazed timber windows to match existing house
- ⑤ Dormer roof with zinc cladding



SECTION A-A



SECTION B-B

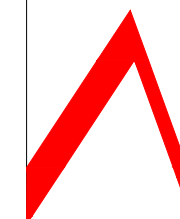


SECTION C-C

FOR PLANNING

42 WILLOW ROAD

As proposed



ana alonso architect
 Dipl Arch ARB
 T | 07754888138
 E | anatruan@yahoo.com
 facebook.com/ana.alonso.architect

ana alonso architect | muswell hill

Scale	1:100@A3	Job No	Dwg No	Rev
Date	Oct'18	2018/63	AP(00)09	D
Drawn	AAT			
Checked	AAT	© COPYRIGHT This drawing is the copyright of Ana Alonso.		