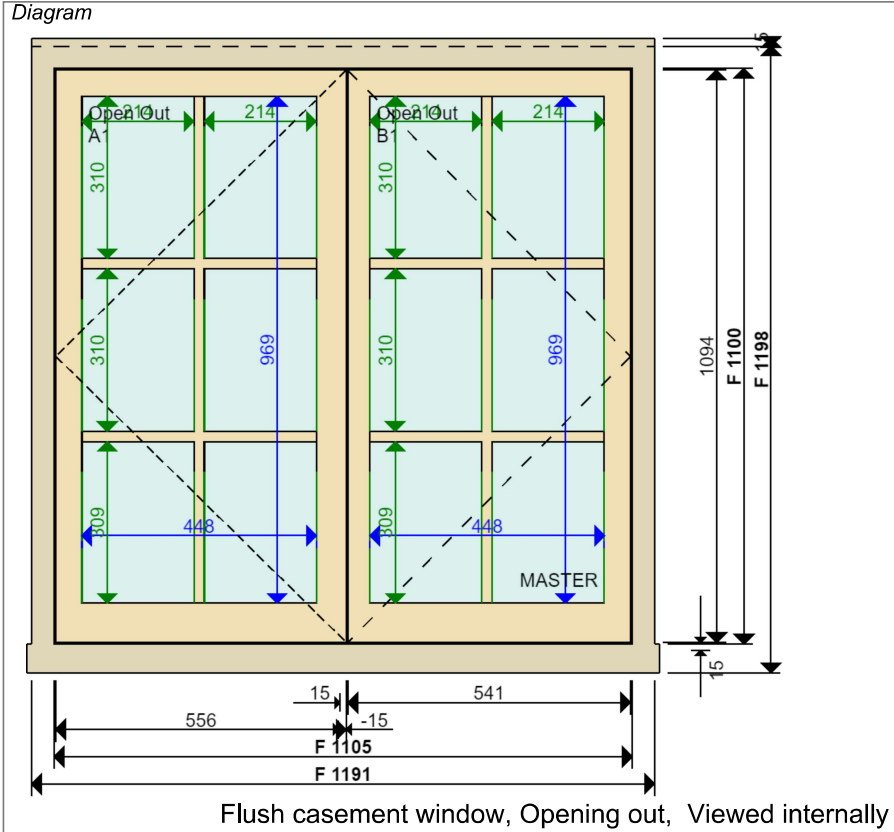


JOINERY DETAIL SHEET

1 Complete New Flush Casement Window (Non DocL)

Customer Johnson	Job No D33021	Item No 7	Sheet 1 of 3
----------------------------	-------------------------	---------------------	------------------------



Sectional Details	
Frame in Kit Form	Frame Stop
Frame Stop	Ovolo
Finished Frame Head	93 x 58 mm
Ext. Head Plant On	15 mm
Finished Frame Jamb	93 x 58 mm
Finished Cill	93 x 70 mm (10 mm horn)
[Barcode]	
Sash Head	50 mm
Sash Stile	50 mm
Sash Btm Rail (int)	75 mm Stepped
Sash Midrail	103 mm incl. 3 mm gap
Sash Thickness	48 mm
[Barcode]	

Location
Second Floor RHS Bedroom 2

Material Accoya sashes, Accoya frame, Hardwood cill	Quantity 1
---	----------------------

Glazing Bar	20 mm with 4 mm Nib
Profile	Ovolo
Moulding Cutter	6 x 13 with 16 mm shoulder
Glazing Rebate	8 x 17 mm

Ironmongery
 2 x Casement Stay Pin Locking BA
 2 x Casement Window Lock White
 2 x Egress Casement Lock BA Matt Black
 6 x Hinge Butt SC 3 inch
 2 x Lock Chubb Window Key

Glazing	Single Glazed
Case	6.4mm Clear Laminate
Dry Seal	White Tape Internally

Paint Finish
 Internal Standard White
 External Standard White

Production Notes
 *EXTERNAL 10mm PLANT-ON TO FRAME JAMBS.
 *KIT FORM FRAME DUE TO RESTRICTED STAIRWELL ACCESS.

Installation Notes
 Installed: Externally
 [Frame in Kit Form]
 1. CEMENT FILLET EXTERNALLY. ACRYLIC SEAL INTERNALLY.
 2. FIT DRIP.
 3. TRANSFER STAYS AND HANDLE.
 4. FIT WINDOWBOARD AND QUADS.

Job Tracking Order received: 26-02-2019 Sold by: David Farebrother Surveyed by: Chris Jewiss	Print date: 23-04-2019 Last modified by: Chris Jewiss Last modified date: 23-04-2019	External Access: Scaffold by Customer
---	--	---------------------------------------

JOHNSON

JOB NO: 33021

SHEET 2 OF 3

Drawn by	C JEWISS
Scale	1:10 at A3
Issue No	01
Date:	MAR 2019

Material: See sheet 1

Finish - Int:See sheet 1
Ext:See sheet 1

Glass - See sheet 1

The Sash Window Workshop
4 Kiln lane,
Bracknell,
Berkshire RG12 1NA
tel: +44 (0)1344 868668
fax: +44 (0)1344 868858
email: jewissc@sashwindow.com

SECOND FLOOR
RHS BEDROOM 2

ITEM 7

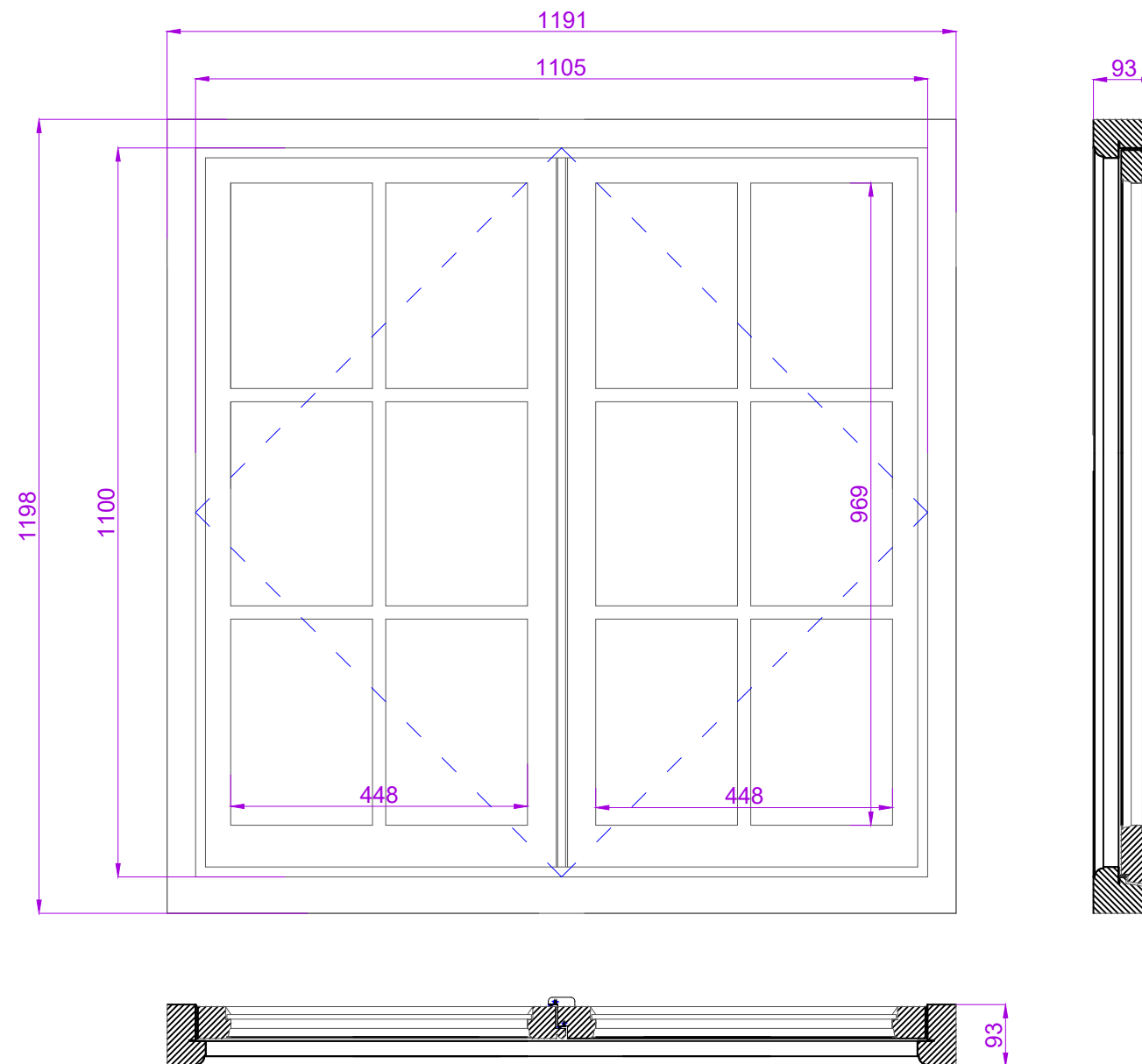
0 METRIC SCALE 1:10 ON A3

500mm

1000mm

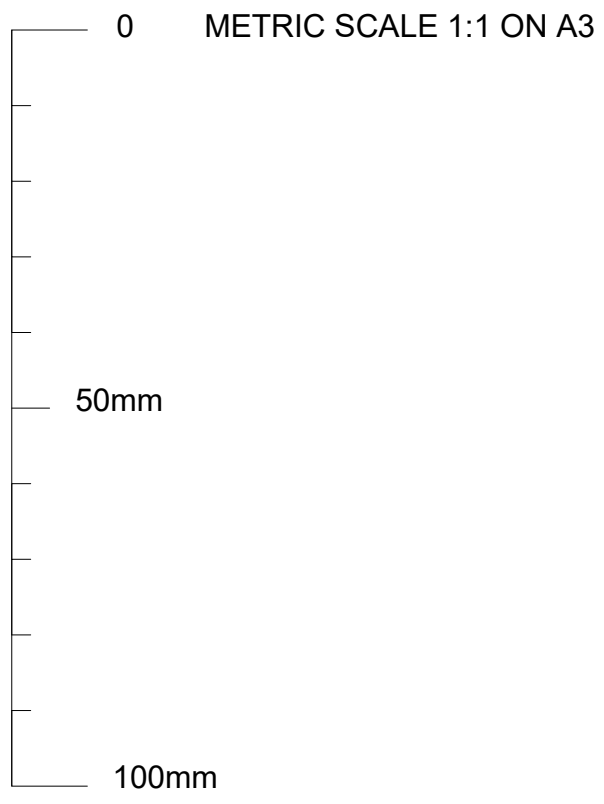
INTERNALLY VIEWED

SCALE 1:10 ON A3

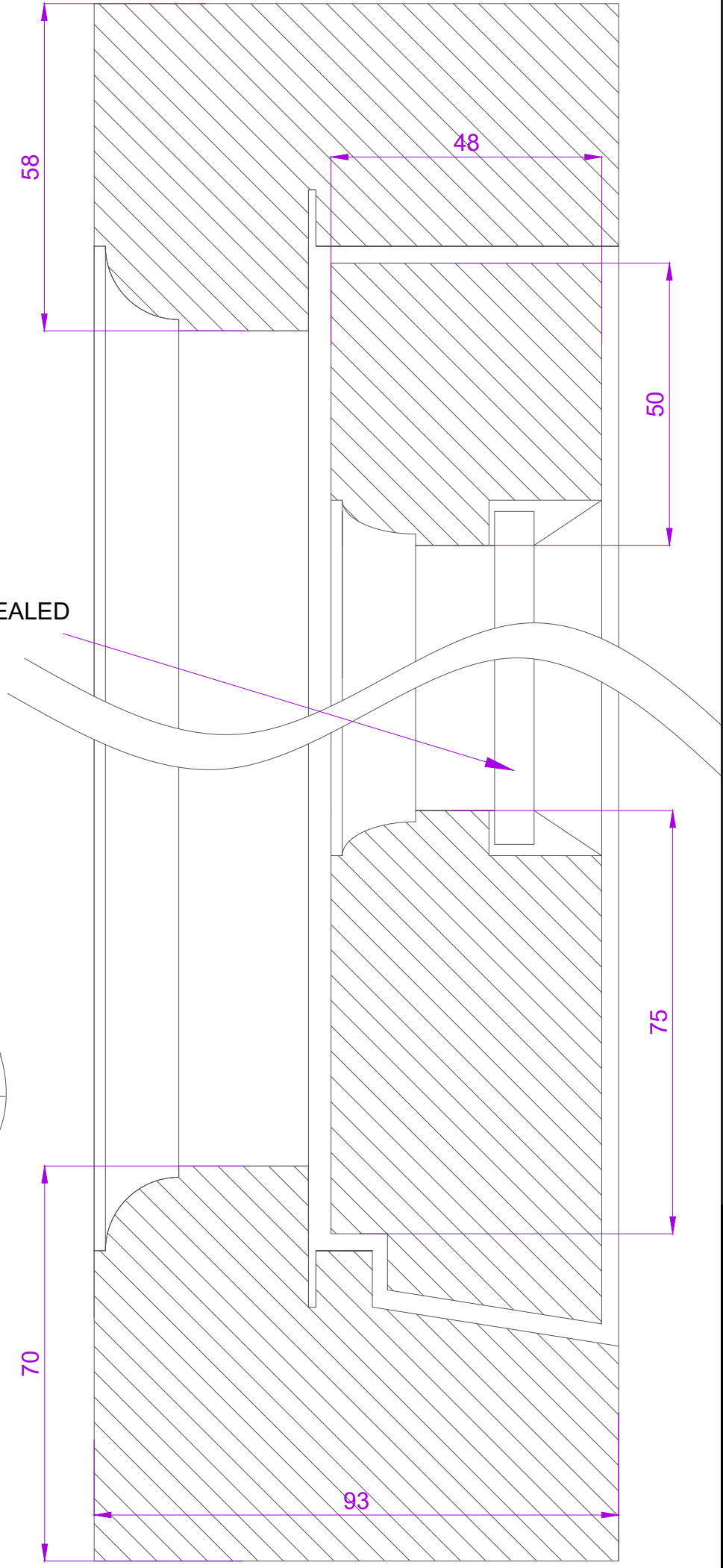


SECOND FLOOR
RHS BEDROOM 2

ITEM 7

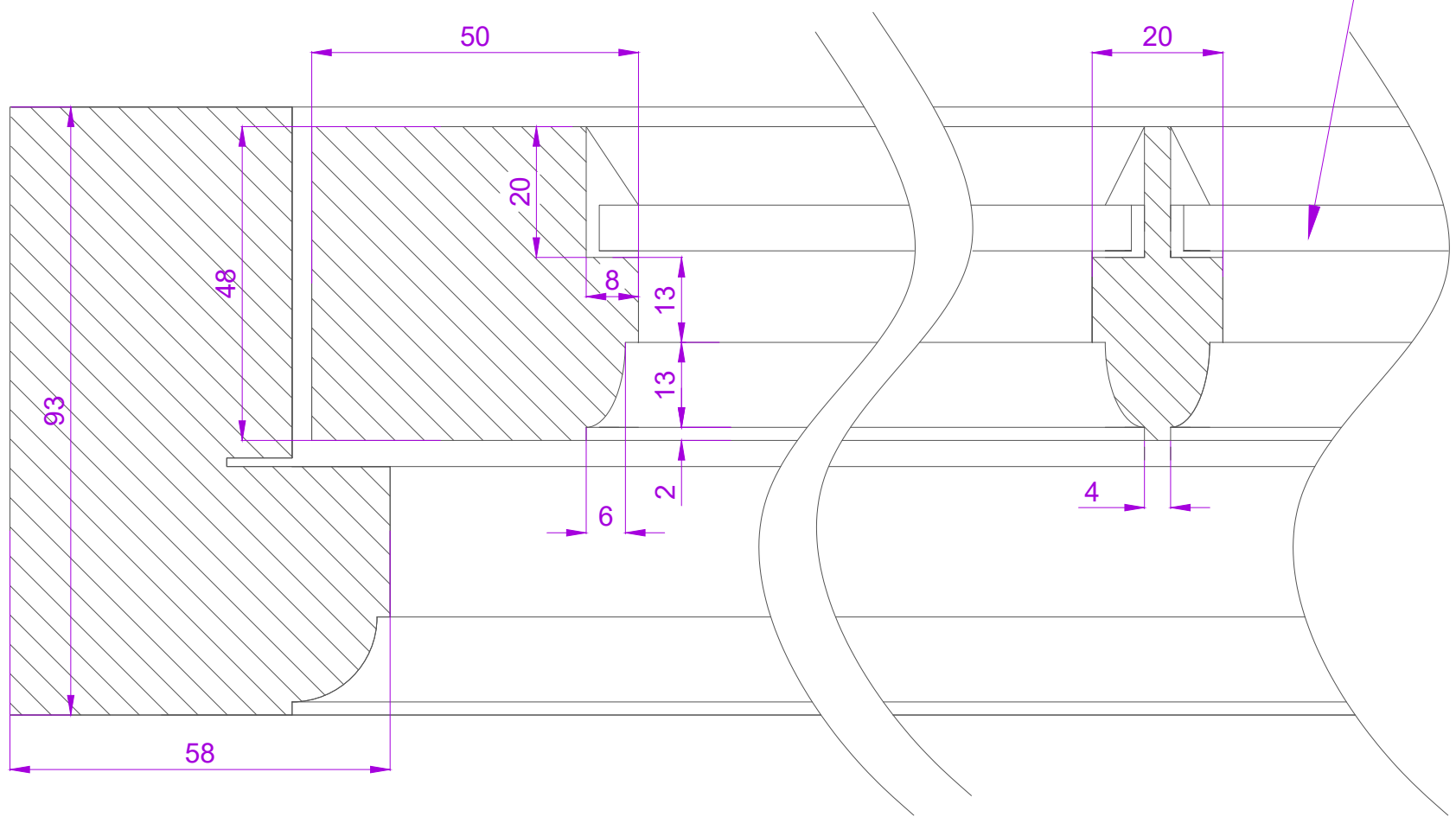


SECTION THROUGH FRAME HEAD AND CILL
SCALE 1:1 ON A3



6.4mm CLEAR LAMINATE GLASS DRY SEALED

SECTION THROUGH FRAME JAMB AND GLAZING BAR
SCALE 1:1 ON A3



JOHNSON
JOB NO: 33021
SHEET 3 OF 3

Drawn by	C JEWISS
Scale	1:1 at A3
Issue No	01
Date:	MAR 2019

Material: See sheet 1

Finish - Int:See sheet 1
Ext:See sheet 1

Cill Finish:
Glass - See sheet 1

The Sash Window Workshop
4 Kiln lane,
Bracknell,
Berkshire RG12 1NA
tel: +44 (0)1344 868668
fax: +44 (0)1344 868858
email: jewissc@sashwindow.com

SECOND/THIRD FLOOR
RHS BEDROOM 2/
SITTING ROOM

ITEM 7 & 9