

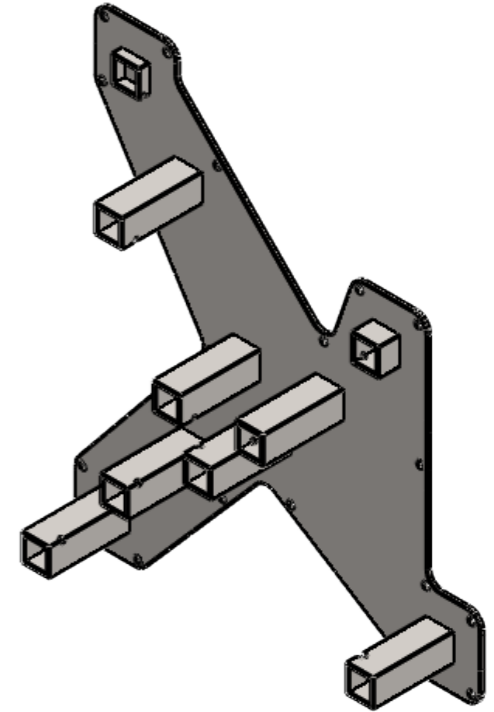
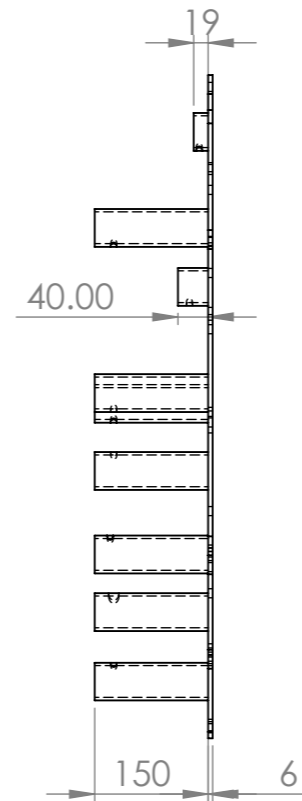
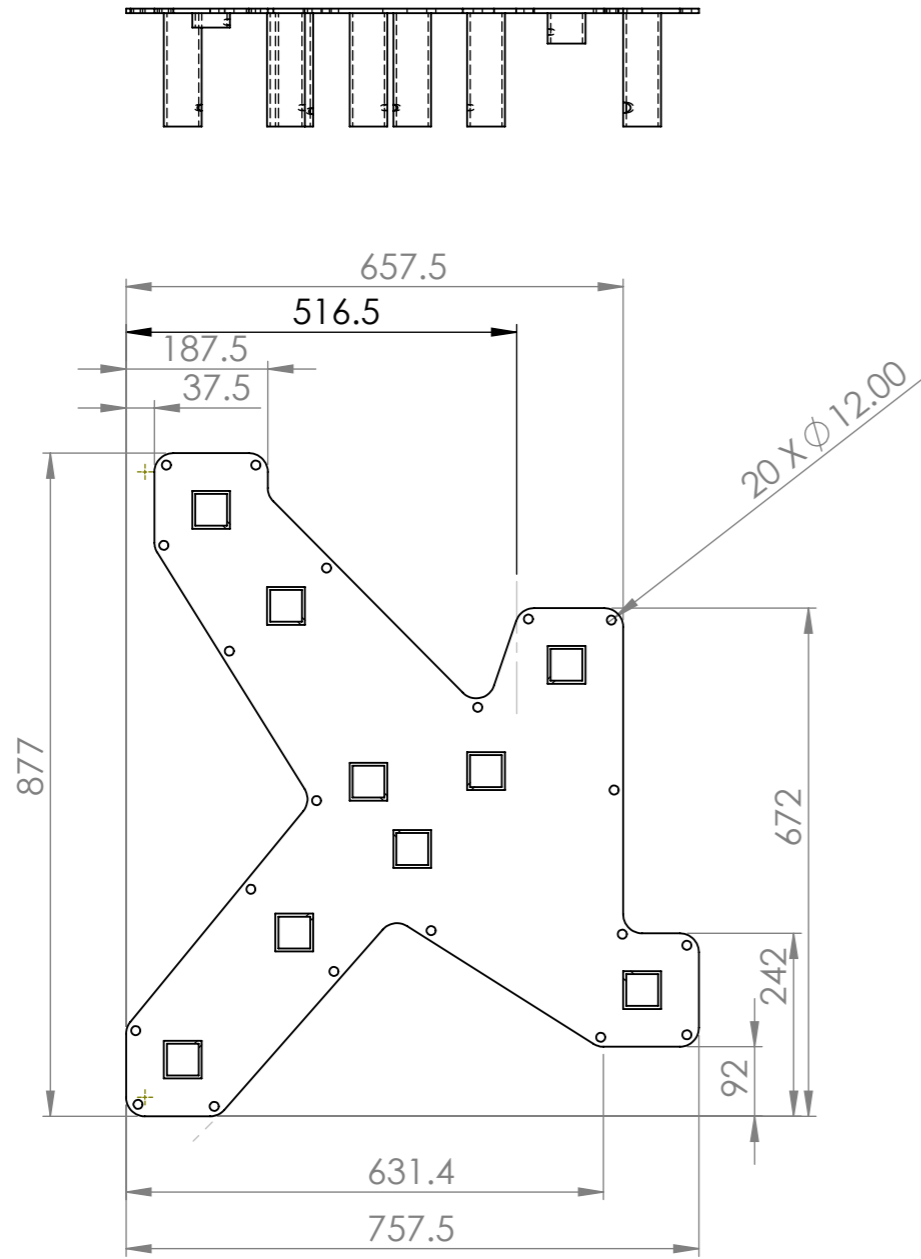
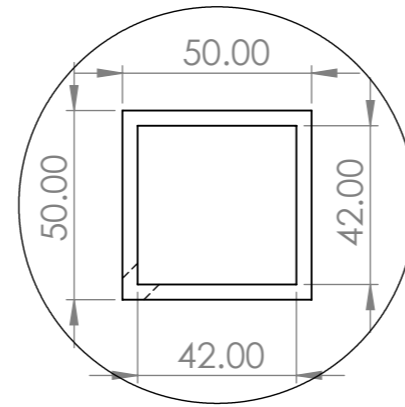
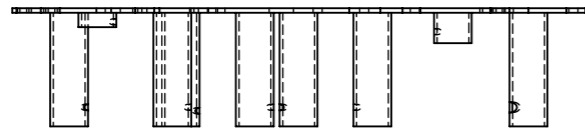


ITEM NO.	PART NUMBER	DESCRIPTION	QTY.
1	Euston back plate		1
2	Support arm 2		1
3	Support arm 1		1
4	Support arm 3		1
5	Support arm 4		1
6	Support arm 5		1
7	Support arm 6		1
8	Support arm 7		1
9	Support arm 8		1
10	Support arm 9		1

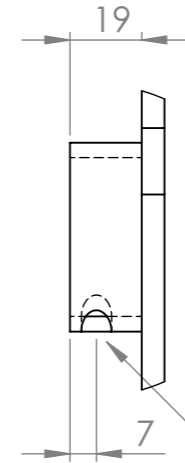
DRAWN BY REE	SCALE 1:10	CHECKED .	DATE 18/02/2019	UNIT mm	ORIGINAL When in red TOLERANCES AS BELOW UNLESS OTHERWISE STATED DIMENSIONS 0 +/-0.5, 0.0 +/-0.2, 0.00 +/-0.1 ANGLES 0 +/- 0.5°	07			
MATERIAL						06			
FINISH X						05			
© SOLAR-POLAR LTD 289 DOGSTHORPE ROAD, PETERBOROUGH CAMBRIDGESHIRE, PE1 3PA, UK							04		
							03		
THIS DOCUMENT IS THE PROPERTY OF SOLAR-POLAR AND MAY NOT BE COPIED OR COMMUNICATED TO A THIRD PARTY OR USED FOR ANY PURPOSE OTHER THAN THAT FOR WHICH IT IS SUPPLIED WITHOUT THE EXPRESS WRITTEN AUTHORITY OF SOLAR-POLAR					 3RD ANGLE PROJECTION	02			
						01			
						ISSUE	CHANGE NOTE NO.	DATE	
DRAWING No						ISSUE		TITLE	
						Euston sculpture		SHEET	
								1. OF .14	



DRAWN BY REE	SCALE 1:10	CHECKED .	DATE 18/02/2019	UNIT mm	ORIGINAL When in red TOLERANCES AS BELOW UNLESS OTHERWISE STATED DIMENSIONS 0 +/-0.5, 0.0 +/-0.2, 0.00 +/-0.1 ANGLES 0 +/- 0.5°	07		
MATERIAL						06		
FINISH X						05		
						04		
						03		
					02			
					01			
© SOLAR-POLAR LTD 289 DOGSTHORPE ROAD, PETERBOROUGH CAMBRIDGESHIRE, PE1 3PA, UK					3RD ANGLE PROJECTION	ISSUE	CHANGE NOTE NO.	DATE
THIS DOCUMENT IS THE PROPERTY OF SOLAR-POLAR AND MAY NOT BE COPIED OR COMMUNICATED TO A THIRD PARTY OR USED FOR ANY PURPOSE OTHER THAN THAT FOR WHICH IT IS SUPPLIED WITHOUT THE EXPRESS WRITTEN AUTHORITY OF SOLAR-POLAR								
DRAWING No						ISSUE		TITLE
						Euston sculpture		SHEET
								2. OF .14



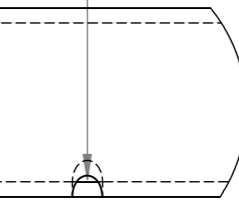
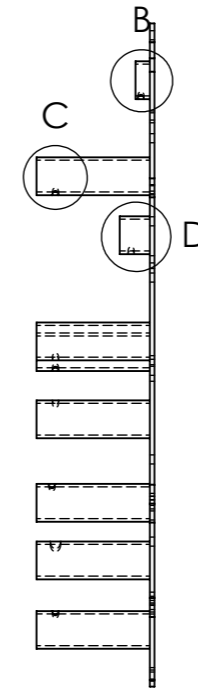
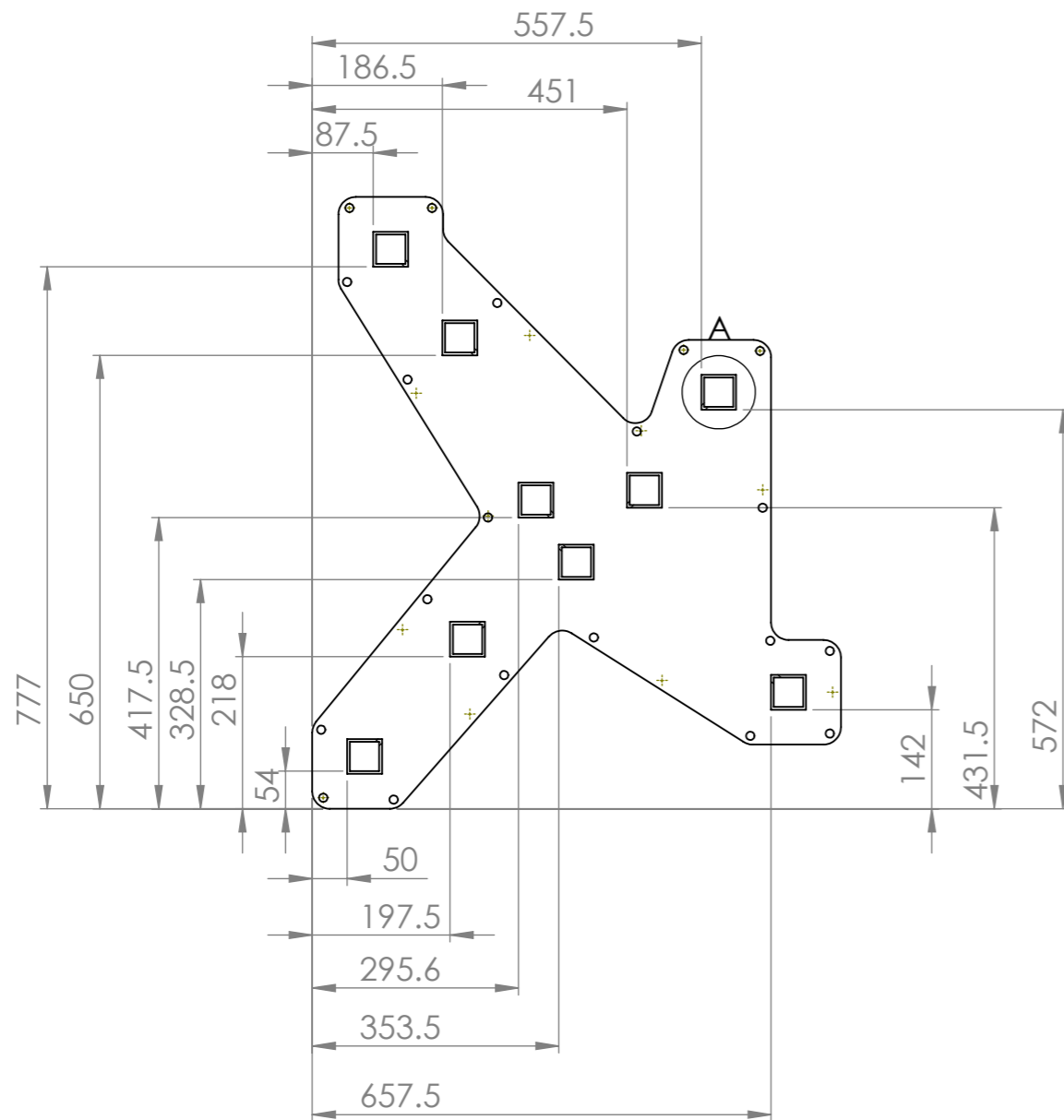
DETAIL A
SCALE 1 : 2



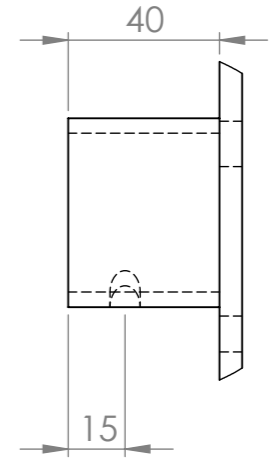
DETAIL B
SCALE 1 : 2

M8 THREADED HOLE

8 X M8 THREADED HOLES



DETAIL C
SCALE 1 : 2

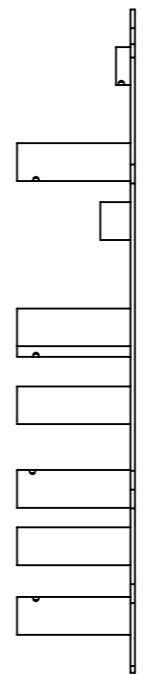
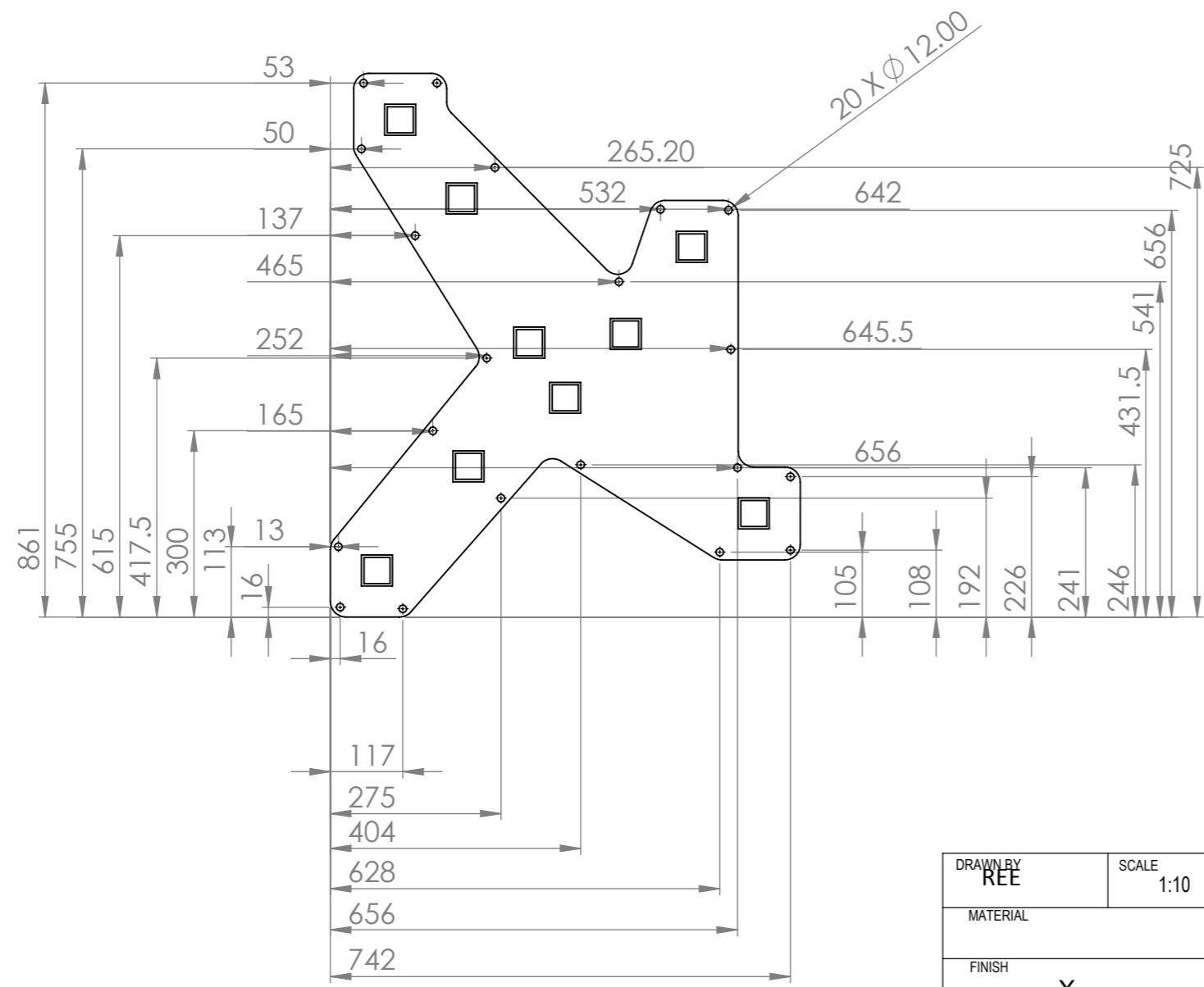
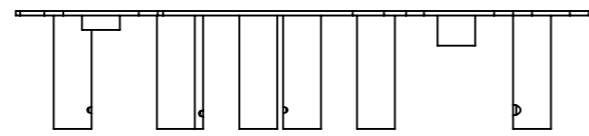


DETAIL D
SCALE 1 : 2

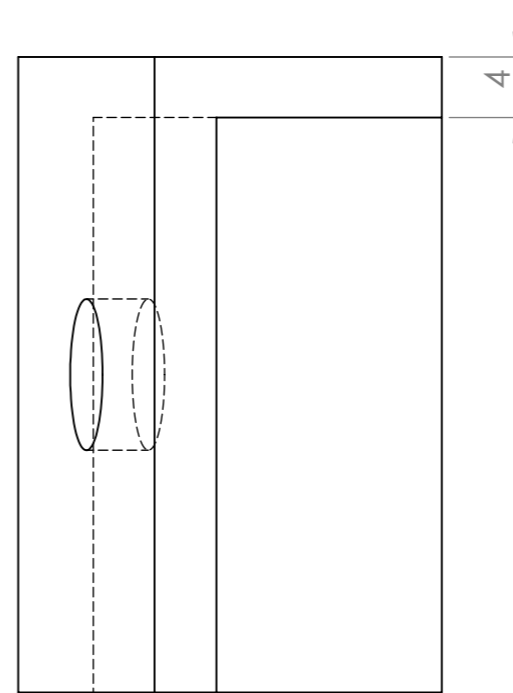
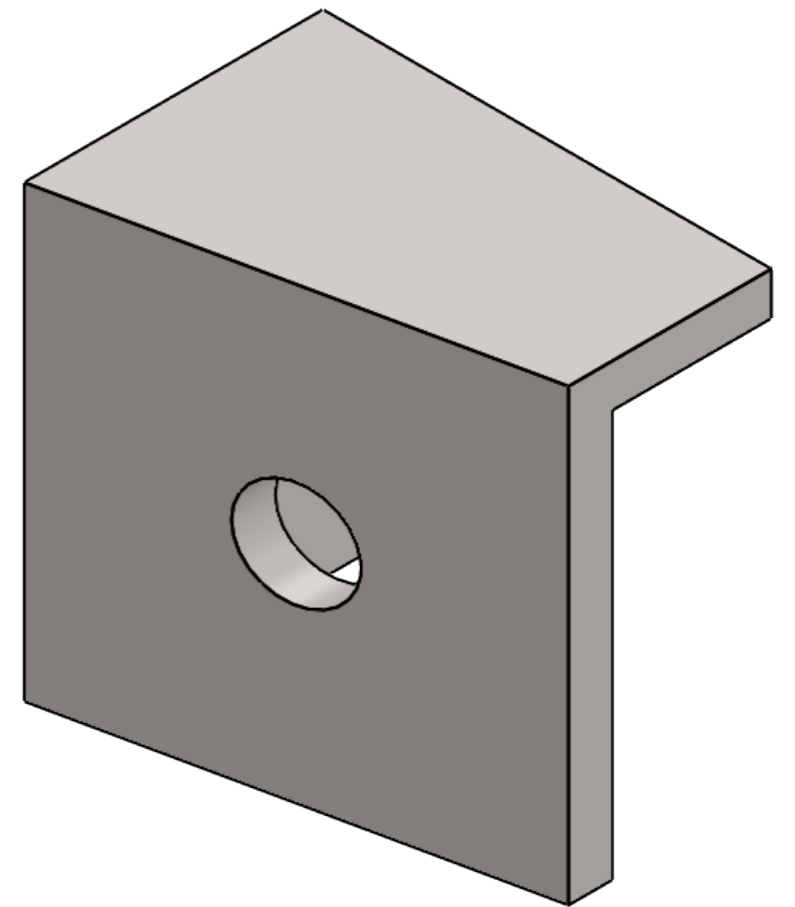
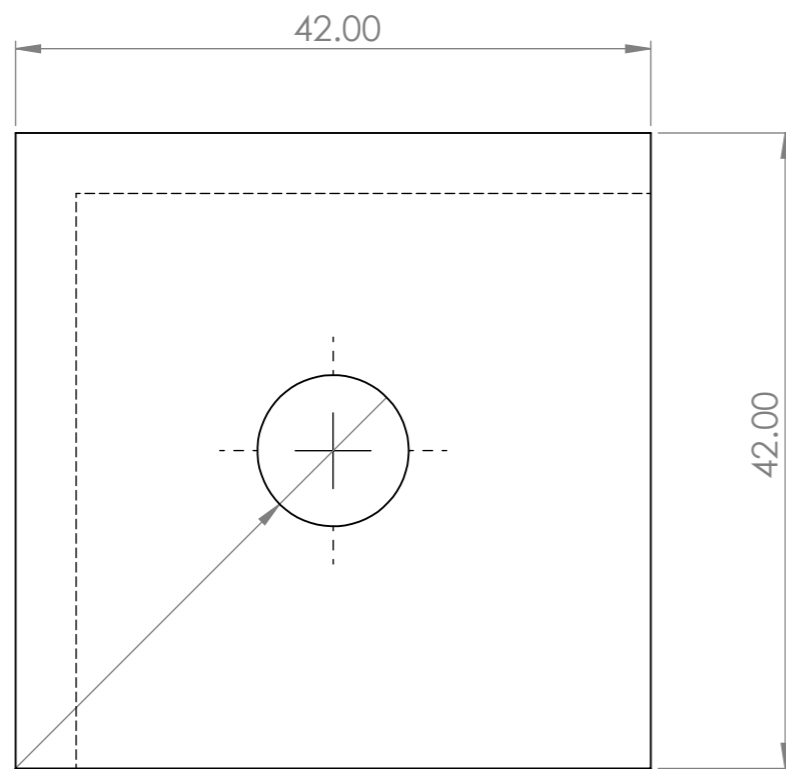
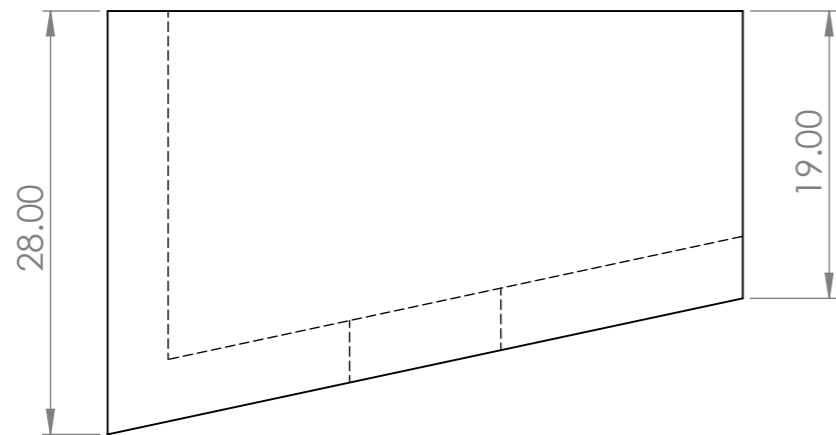
DRAWN BY REE	SCALE 1:10	CHECKED .	DATE 18/02/2019	UNIT mm	ORIGINAL When in red TOLERANCES AS BELOW UNLESS OTHERWISE STATED DIMENSIONS 0 +/-0.5, 0.0 +/-0.2, 0.00 +/-0.1 ANGLES 0 +/- 0.5°	07		
MATERIAL						06		
FINISH X						05		
						04		
						03		
© SOLAR-POLAR LTD 289 DOGSTHORPE ROAD, PETERBOROUGH CAMBRIDGESHIRE, PE1 3PA, UK					3RD ANGLE PROJECTION	02		
						01		
						ISSUE	CHANGE NOTE NO.	DATE

TACK WELD ARM SOCKETS IN PLACE TO CHECK
ALINEMENT WITH THE SCULPTURE. BEFORE FINAL WELD

THIS DOCUMENT IS THE PROPERTY OF SOLAR-POLAR AND MAY NOT BE COPIED OR COMMUNICATED TO A THIRD PARTY OR USED FOR ANY PURPOSE OTHER THAN THAT FOR WHICH IT IS SUPPLIED WITHOUT THE EXPRESS WRITTEN AUTHORITY OF SOLAR-POLAR



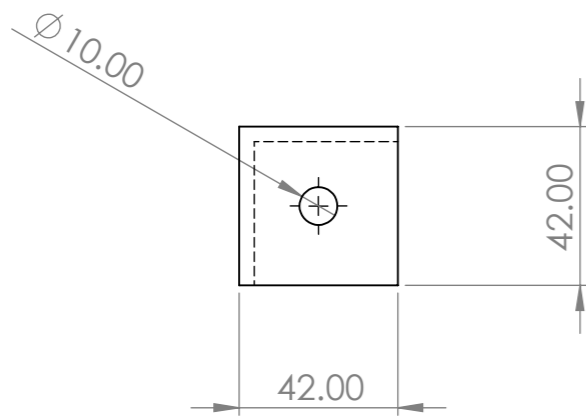
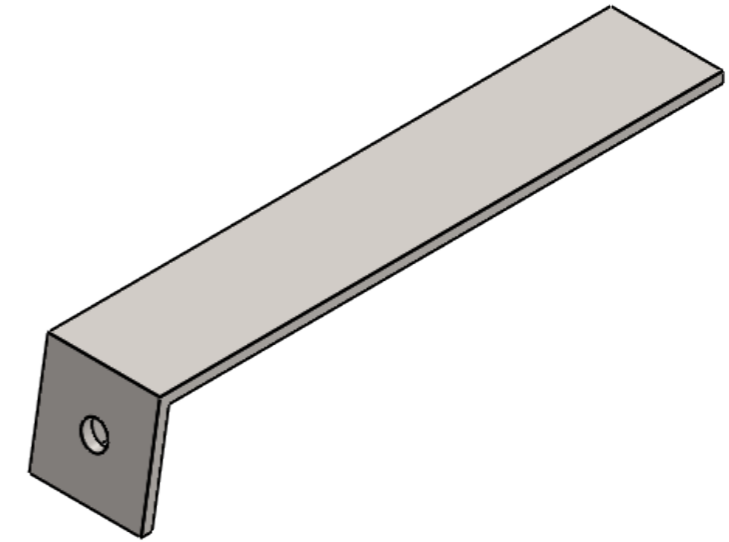
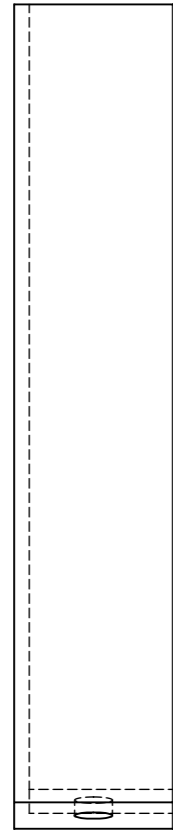
DRAWN BY REE	SCALE 1:10	CHECKED .	DATE 18/02/2019	UNIT mm	ORIGINAL When in red TOLERANCES AS BELOW UNLESS OTHERWISE STATED DIMENSIONS 0 +/-0.5, 0.0 +/-0.2, 0.00 +/-0.1 ANGLES 0 +/- 0.5°	07		
MATERIAL						06		
FINISH X						05		
						04		
						03		
					02			
					01			
© SOLAR-POLAR LTD 289 DOGSTHORPE ROAD, PETERBOROUGH CAMBRIDGESHIRE, PE1 3PA, UK					3RD ANGLE PROJECTION	ISSUE	CHANGE NOTE NO.	DATE
THIS DOCUMENT IS THE PROPERTY OF SOLAR-POLAR AND MAY NOT BE COPIED OR COMMUNICATED TO A THIRD PARTY OR USED FOR ANY PURPOSE OTHER THAN THAT FOR WHICH IT IS SUPPLIED WITHOUT THE EXPRESS WRITTEN AUTHORITY OF SOLAR-POLAR								
DRAWING No						ISSUE		TITLE
						Euston sculpture		SHEET
								4. OF .14



$\phi 10.00$

DRAWN BY REE	SCALE 1:10	CHECKED .	DATE 18/02/2019	UNIT mm	ORIGINAL When in red TOLERANCES AS BELOW UNLESS OTHERWISE STATED DIMENSIONS 0 +/-0.5, 0.0 +/-0.2, 0.00 +/-0.1 ANGLES 0 +/- 0.5°	07		
MATERIAL						06		
FINISH X						05		
						04		
						03		
					02			
					01			
© SOLAR-POLAR LTD 289 DOGSTHORPE ROAD, PETERBOROUGH CAMBRIDGESHIRE, PE1 3PA, UK					3RD ANGLE PROJECTION	ISSUE	CHANGE NOTE NO.	DATE

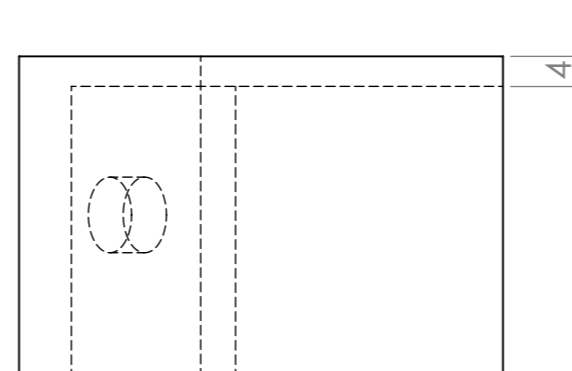
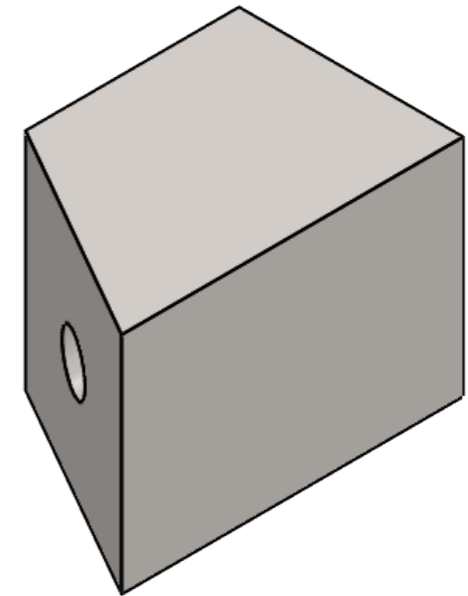
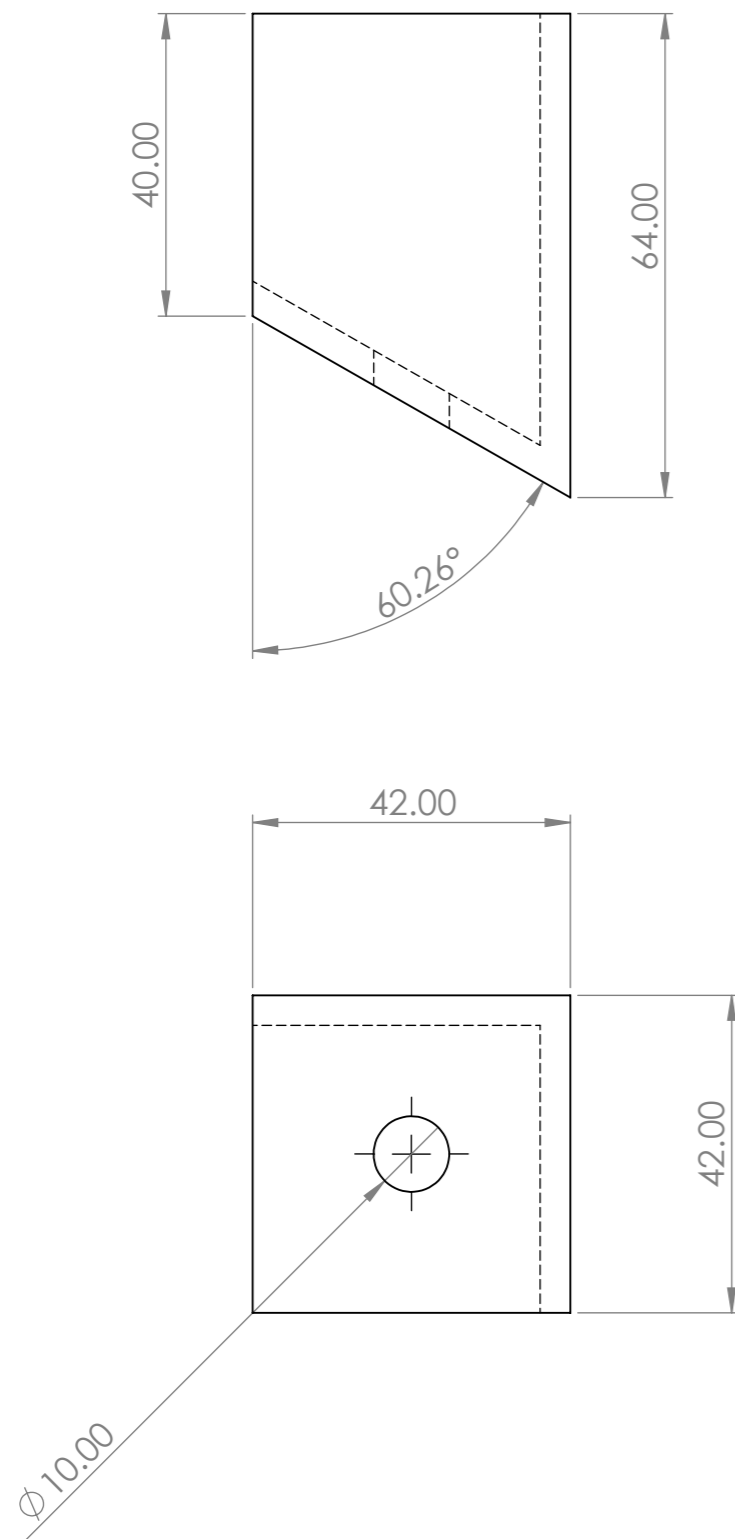
THIS DOCUMENT IS THE PROPERTY OF SOLAR-POLAR AND MAY NOT BE COPIED OR COMMUNICATED TO A THIRD PARTY OR USED FOR ANY PURPOSE OTHER THAN THAT FOR WHICH IT IS SUPPLIED WITHOUT THE EXPRESS WRITTEN AUTHORITY OF SOLAR-POLAR



DRAWN BY REE	SCALE 1:10	CHECKED .	DATE 18/02/2019	UNIT mm	ORIGINAL When in red TOLERANCES AS BELOW UNLESS OTHERWISE STATED DIMENSIONS 0 +/-0.5, 0.0 +/-0.2, 0.00 +/-0.1 ANGLES 0 +/- 0.5°	07			
MATERIAL						06			
FINISH X						05			
© SOLAR-POLAR LTD 289 DOGSTHORPE ROAD, PETERBOROUGH CAMBRIDGESHIRE, PE1 3PA, UK						3RD ANGLE PROJECTION	04		
							03		
						02			
						01			
						ISSUE	CHANGE NOTE NO.	DATE	

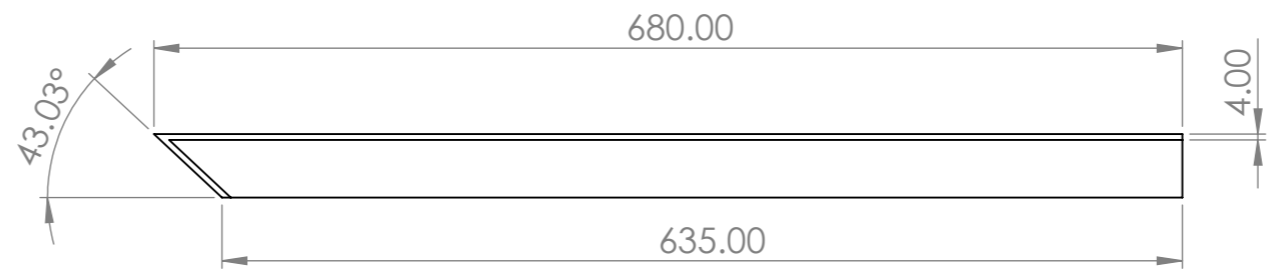
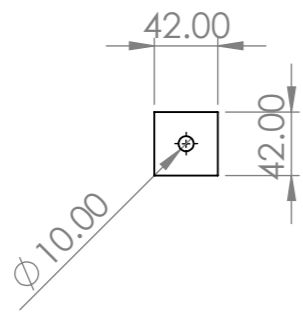
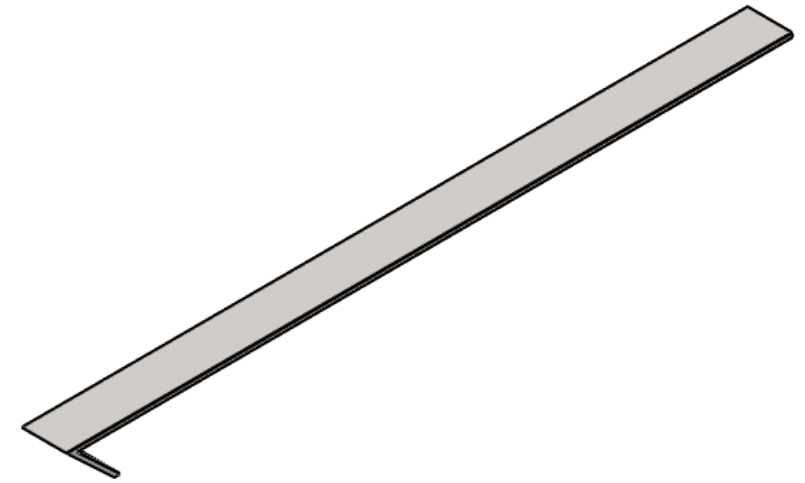
THIS DOCUMENT IS THE PROPERTY OF SOLAR-POLAR AND MAY NOT BE COPIED OR COMMUNICATED TO A THIRD PARTY OR USED FOR ANY PURPOSE OTHER THAN THAT FOR WHICH IT IS SUPPLIED WITHOUT THE EXPRESS WRITTEN AUTHORITY OF SOLAR-POLAR

DRAWING No	ISSUE	TITLE	SHEET
		Euston sculpture	6. OF .14

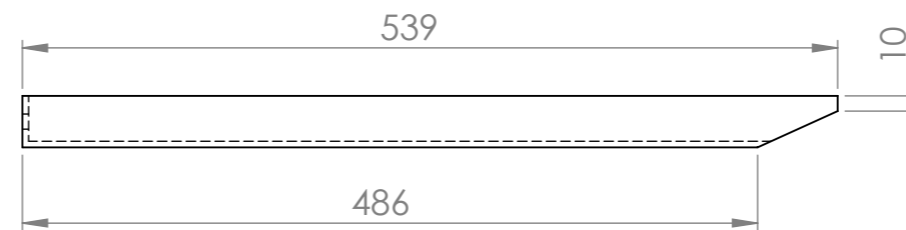
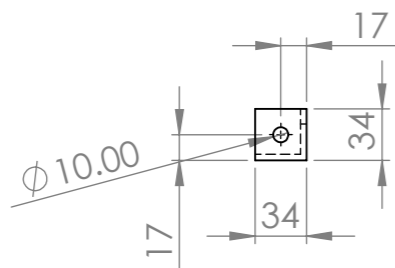
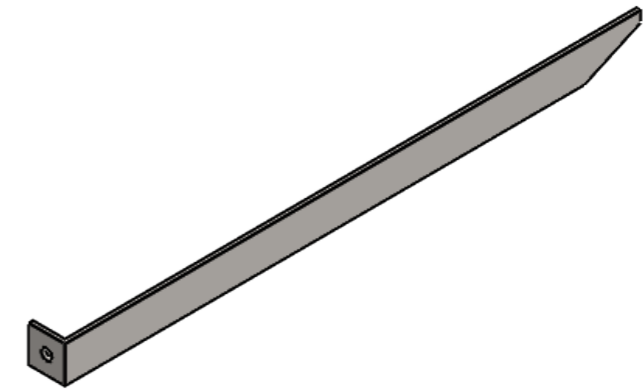
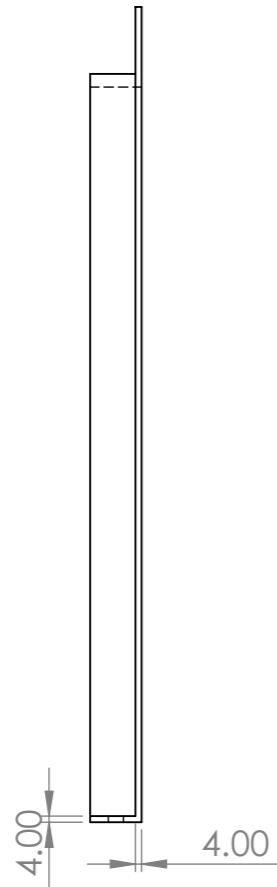


DRAWN BY REE	SCALE 1:10	CHECKED .	DATE 18/02/2019	UNIT mm	ORIGINAL When in red TOLERANCES AS BELOW UNLESS OTHERWISE STATED DIMENSIONS 0 +/-0.5, 0.0 +/-0.2, 0.00 +/-0.1 ANGLES 0 +/- 0.5°	07		
MATERIAL						06		
FINISH X						05		
						04		
						03		
					02			
					01			
© SOLAR-POLAR LTD 289 DOGSTHORPE ROAD, PETERBOROUGH CAMBRIDGESHIRE, PE1 3PA, UK					3RD ANGLE PROJECTION	ISSUE	CHANGE NOTE NO.	DATE

THIS DOCUMENT IS THE PROPERTY OF SOLAR-POLAR AND MAY NOT BE COPIED OR COMMUNICATED TO A THIRD PARTY OR USED FOR ANY PURPOSE OTHER THAN THAT FOR WHICH IT IS SUPPLIED WITHOUT THE EXPRESS WRITTEN AUTHORITY OF SOLAR-POLAR



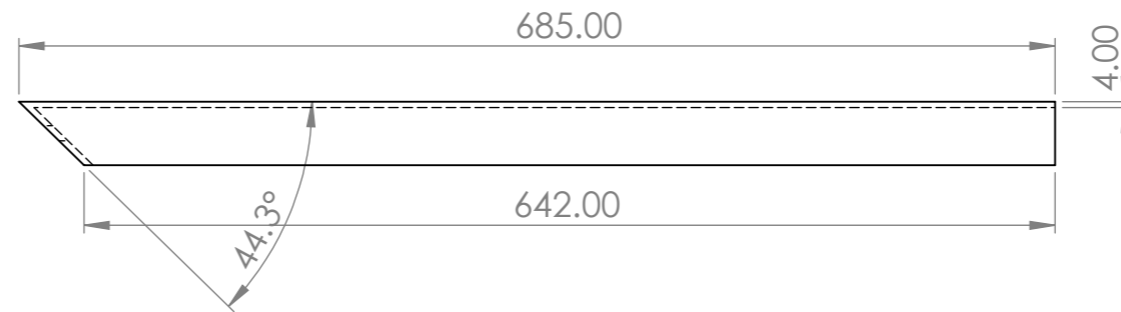
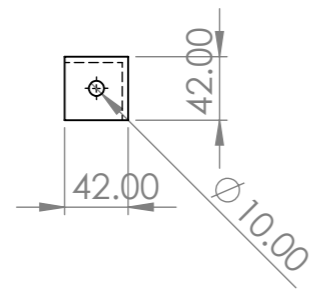
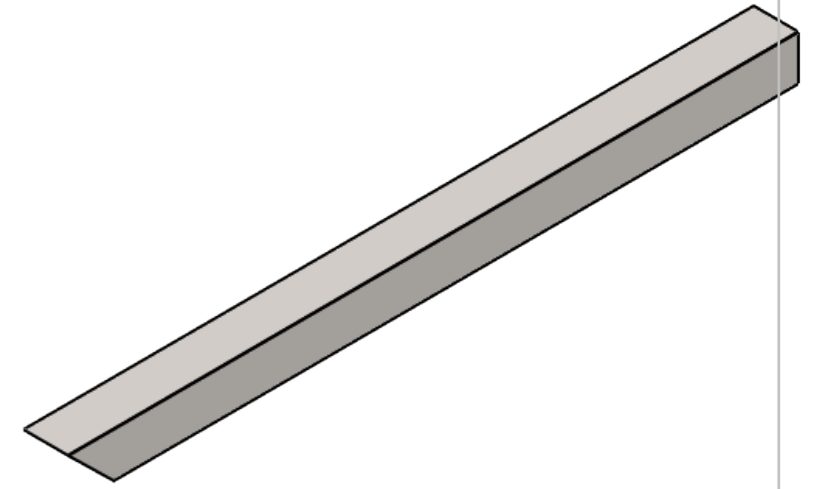
DRAWN BY REE	SCALE 1:10	CHECKED .	DATE 18/02/2019	UNIT mm	ORIGINAL When in red TOLERANCES AS BELOW UNLESS OTHERWISE STATED DIMENSIONS 0 +/-0.5, 0.0 +/-0.2, 0.00 +/-0.1 ANGLES 0 +/- 0.5°	07		
MATERIAL						06		
FINISH X						05		
						04		
						03		
					02			
					01			
© SOLAR-POLAR LTD 289 DOGSTHORPE ROAD, PETERBOROUGH CAMBRIDGESHIRE, PE1 3PA, UK					3RD ANGLE PROJECTION	ISSUE	CHANGE NOTE NO.	DATE


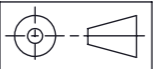


WELD THIS ARM IN PLACE WITH THE SCULPTURE

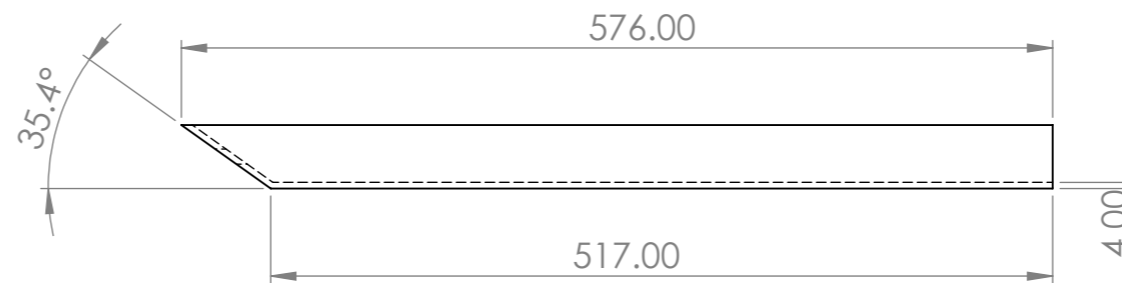
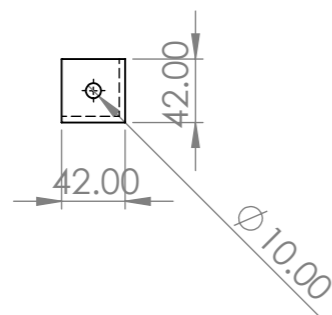
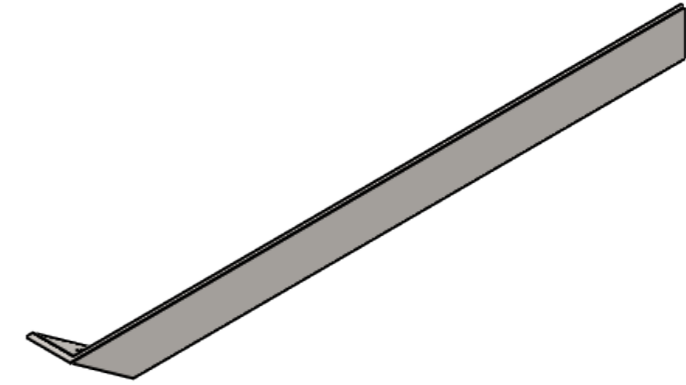
DRAWN BY REE	SCALE 1:10	CHECKED .	DATE 18/02/2019	UNIT mm	ORIGINAL When in red TOLERANCES AS BELOW UNLESS OTHERWISE STATED DIMENSIONS 0 +/-0.5, 0.0 +/-0.2, 0.00 +/-0.1 ANGLES 0 +/- 0.5°	07		
MATERIAL						06		
FINISH X						05		
						04		
						03		
					02			
					01			
© SOLAR-POLAR LTD 289 DOGSTHORPE ROAD, PETERBOROUGH CAMBRIDGESHIRE, PE1 3PA, UK					3RD ANGLE PROJECTION	ISSUE	CHANGE NOTE NO.	DATE


THIS DOCUMENT IS THE PROPERTY OF SOLAR-POLAR AND MAY NOT BE COPIED OR COMMUNICATED TO A THIRD PARTY OR USED FOR ANY PURPOSE OTHER THAN THAT FOR WHICH IT IS SUPPLIED WITHOUT THE EXPRESS WRITTEN AUTHORITY OF SOLAR-POLAR



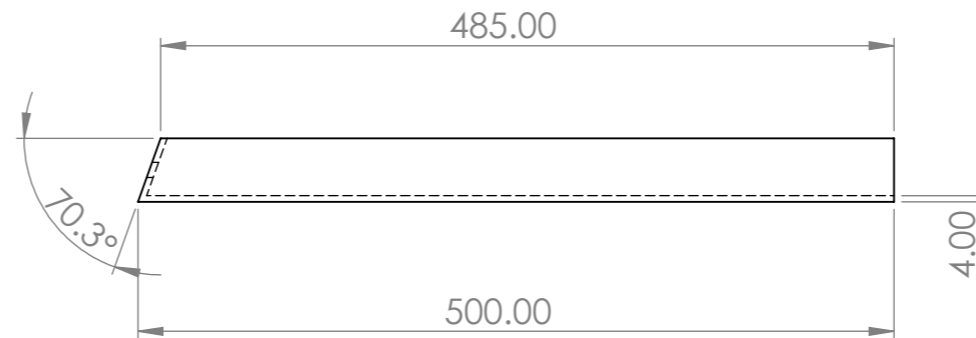
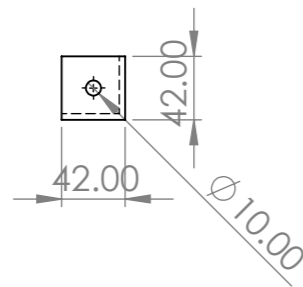
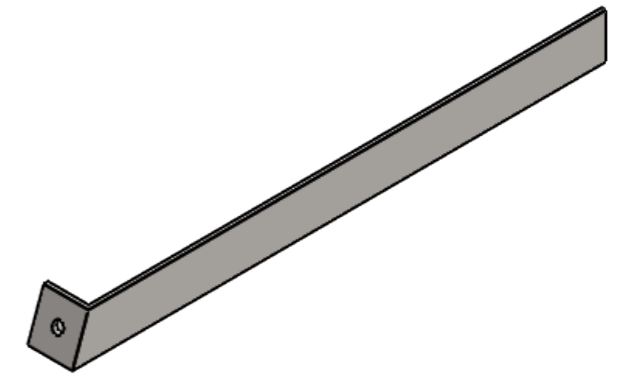
DRAWN BY REE	SCALE 1:10	CHECKED .	DATE 18/02/2019	UNIT mm	ORIGINAL When in red	07		
MATERIAL					TOLERANCES AS BELOW UNLESS OTHERWISE STATED DIMENSIONS 0 +/-0.5, 0.0 +/-0.2, 0.00 +/-0.1 ANGLES 0 +/- 0.5°	06		
FINISH X						05		
© SOLAR-POLAR LTD 289 DOGSTHORPE ROAD, PETERBOROUGH CAMBRIDGESHIRE, PE1 3PA, UK   3RD ANGLE PROJECTION						04		
						03		
						02		
					01			
					ISSUE	CHANGE NOTE NO.	DATE	

THIS DOCUMENT IS THE PROPERTY OF SOLAR-POLAR AND MAY NOT BE COPIED OR COMMUNICATED TO A THIRD PARTY OR USED FOR ANY PURPOSE OTHER THAN THAT FOR WHICH IT IS SUPPLIED WITHOUT THE EXPRESS WRITTEN AUTHORITY OF SOLAR-POLAR



DRAWN BY REE	SCALE 1:10	CHECKED .	DATE 18/02/2019	UNIT mm	ORIGINAL When in red	07		
MATERIAL					TOLERANCES AS BELOW UNLESS OTHERWISE STATED DIMENSIONS 0 +/-0.5, 0.0 +/-0.2, 0.00 +/-0.1 ANGLES 0 +/- 0.5°	06		
FINISH X						05		
© SOLAR-POLAR LTD 289 DOGSTHORPE ROAD, PETERBOROUGH CAMBRIDGESHIRE, PE1 3PA, UK 						04		
						03		
						02		
					01			
					3RD ANGLE PROJECTION	ISSUE	CHANGE NOTE NO.	DATE

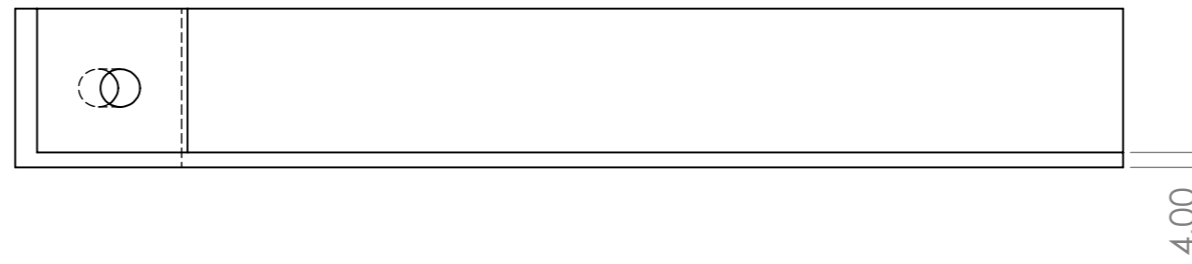
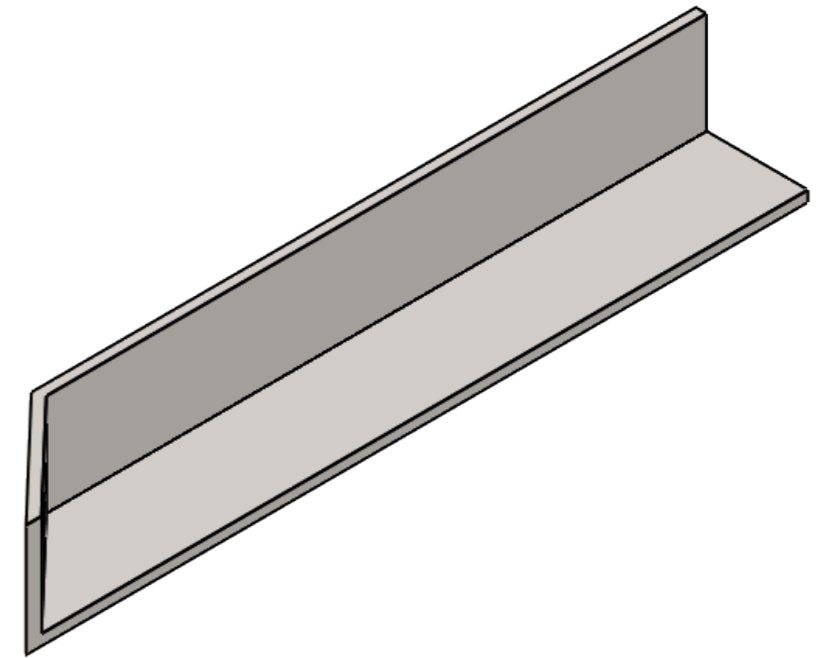
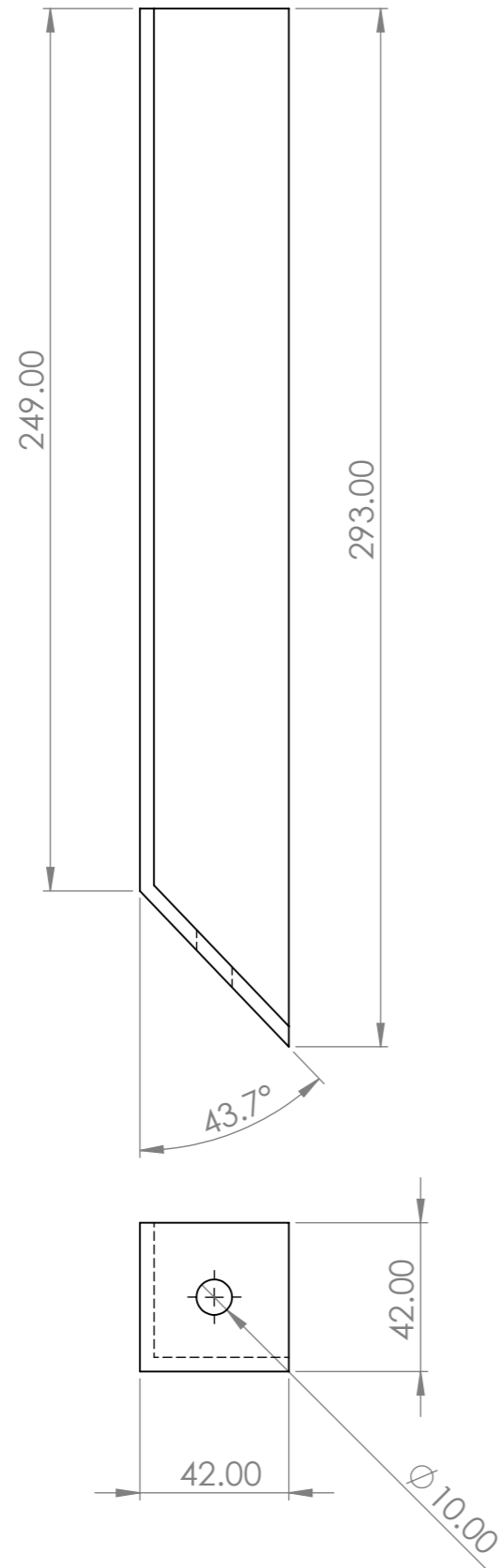
THIS DOCUMENT IS THE PROPERTY OF SOLAR-POLAR AND MAY NOT BE COPIED OR COMMUNICATED TO A THIRD PARTY OR USED FOR ANY PURPOSE OTHER THAN THAT FOR WHICH IT IS SUPPLIED WITHOUT THE EXPRESS WRITTEN AUTHORITY OF SOLAR-POLAR



DRAWN BY REE	SCALE 1:10	CHECKED .	DATE 18/02/2019	UNIT mm	ORIGINAL When in red TOLERANCES AS BELOW UNLESS OTHERWISE STATED DIMENSIONS 0 +/-0.5, 0.0 +/-0.2, 0.00 +/-0.1 ANGLES 0 +/- 0.5°	07		
MATERIAL						06		
FINISH X						05		
						04		
						03		
					02			
					01			
© SOLAR-POLAR LTD 289 DOGSTHORPE ROAD, PETERBOROUGH CAMBRIDGESHIRE, PE1 3PA, UK					3RD ANGLE PROJECTION	ISSUE	CHANGE NOTE NO.	DATE

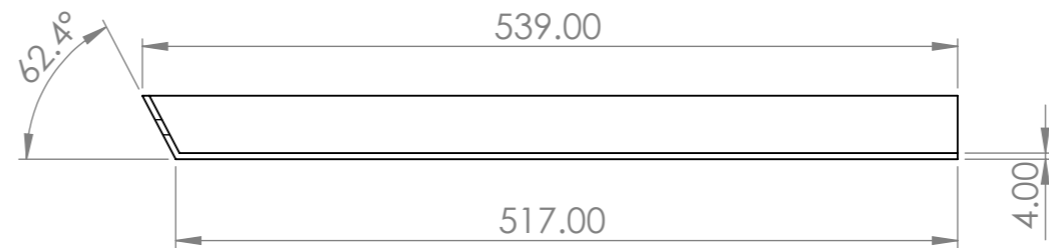
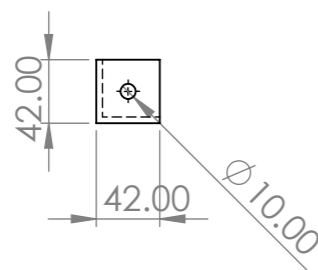
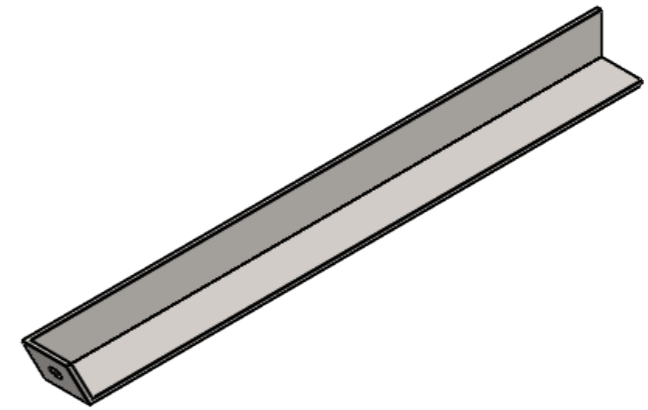
THIS DOCUMENT IS THE PROPERTY OF SOLAR-POLAR AND MAY NOT BE COPIED OR COMMUNICATED TO A THIRD PARTY OR USED FOR ANY PURPOSE OTHER THAN THAT FOR WHICH IT IS SUPPLIED WITHOUT THE EXPRESS WRITTEN AUTHORITY OF SOLAR-POLAR


DRAWING No	ISSUE	TITLE	SHEET
		Euston sculpture	12. OF .14



DRAWN BY REE	SCALE 1:10	CHECKED .	DATE 18/02/2019	UNIT mm	ORIGINAL When in red	07				
MATERIAL						TOLERANCES AS BELOW UNLESS OTHERWISE STATED DIMENSIONS 0 +/-0.5, 0.0 +/-0.2, 0.00 +/-0.1 ANGLES 0 +/- 0.5°	06			
FINISH X							05			
© SOLAR-POLAR LTD 289 DOGSTHORPE ROAD, PETERBOROUGH CAMBRIDGESHIRE, PE1 3PA, UK							3RD ANGLE PROJECTION	04		
								03		
					02					
						01				
						ISSUE	CHANGE NOTE NO.	DATE		

THIS DOCUMENT IS THE PROPERTY OF SOLAR-POLAR AND MAY NOT BE COPIED OR COMMUNICATED TO A THIRD PARTY OR USED FOR ANY PURPOSE OTHER THAN THAT FOR WHICH IT IS SUPPLIED WITHOUT THE EXPRESS WRITTEN AUTHORITY OF SOLAR-POLAR



DRAWN BY REE	SCALE 1:10	CHECKED .	DATE 18/02/2019	UNIT mm	ORIGINAL When in red	07		
MATERIAL					TOLERANCES AS BELOW UNLESS OTHERWISE STATED DIMENSIONS 0 +/-0.5, 0.0 +/-0.2, 0.00 +/-0.1 ANGLES 0 +/- 0.5°	06		
FINISH X						05		
© SOLAR-POLAR LTD 289 DOGSTHORPE ROAD, PETERBOROUGH CAMBRIDGESHIRE, PE1 3PA, UK 						04		
						03		
						02		
					01			
					3RD ANGLE PROJECTION	ISSUE	CHANGE NOTE NO.	DATE
THIS DOCUMENT IS THE PROPERTY OF SOLAR-POLAR AND MAY NOT BE COPIED OR COMMUNICATED TO A THIRD PARTY OR USED FOR ANY PURPOSE OTHER THAN THAT FOR WHICH IT IS SUPPLIED WITHOUT THE EXPRESS WRITTEN AUTHORITY OF SOLAR-POLAR								
DRAWING No						ISSUE TITLE		SHEET
						Euston sculpture		14. OF .14