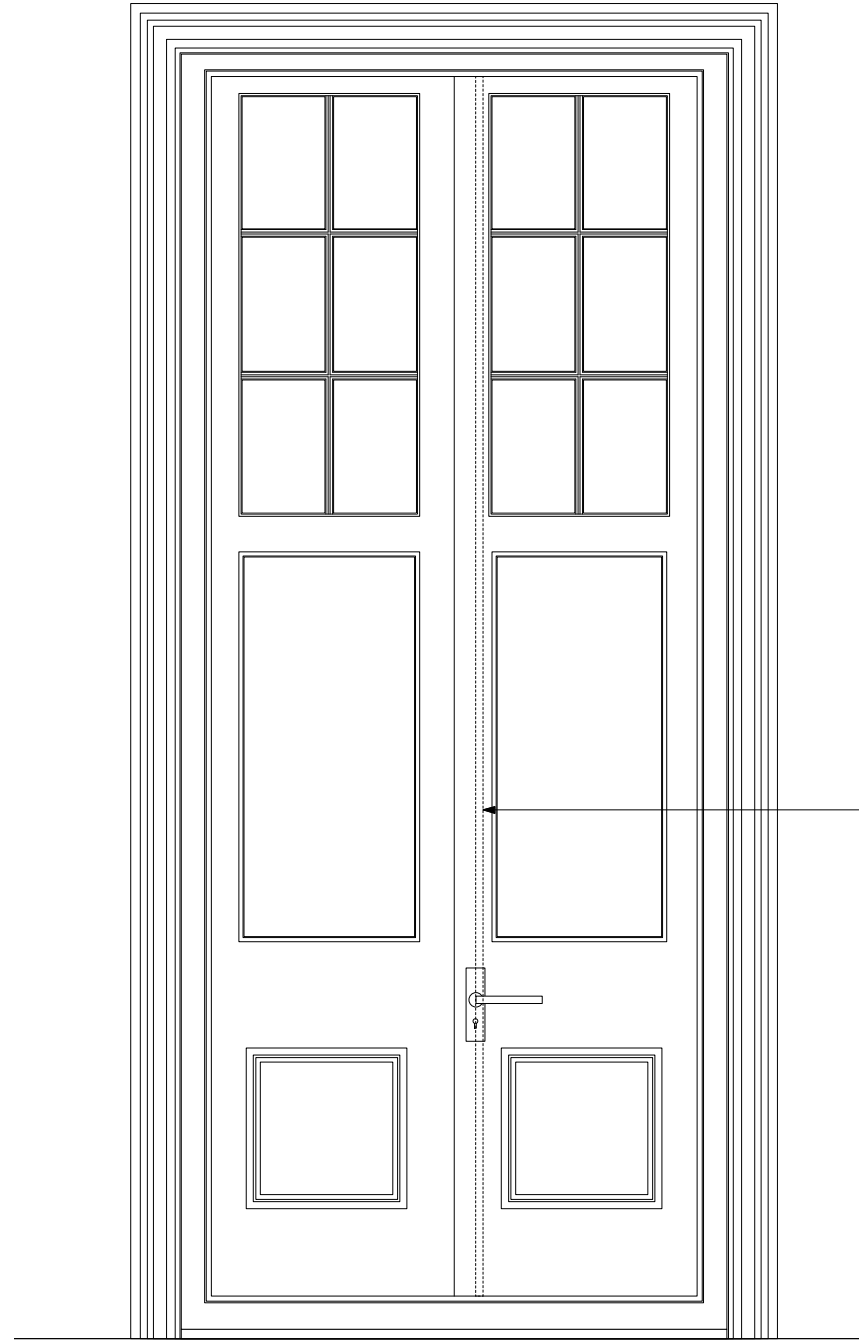
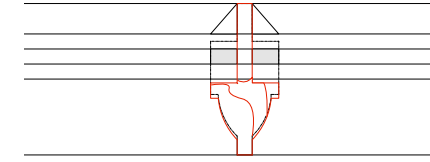


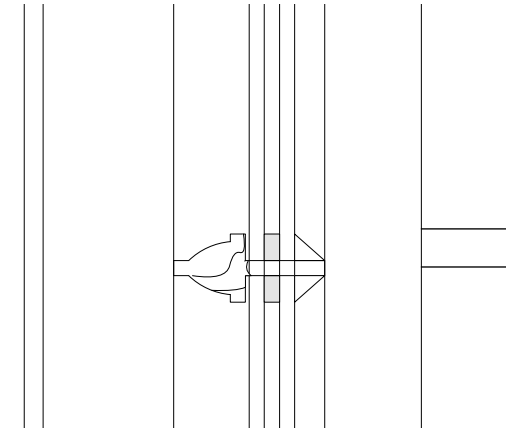
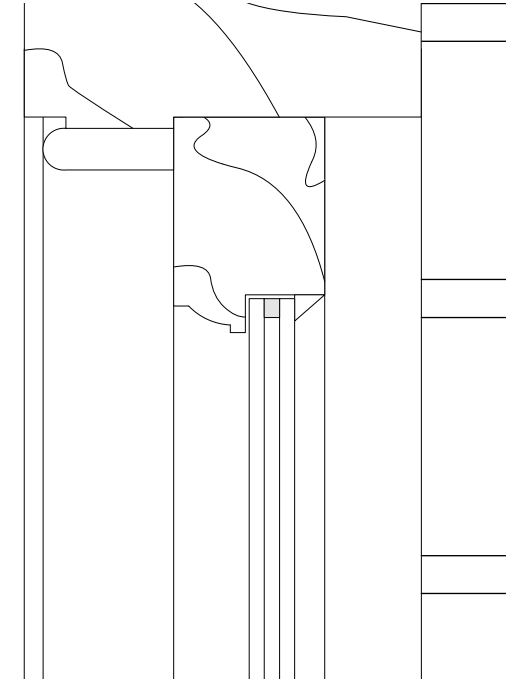
1 French Door External Elevation
Scale: 1:8



2 French Door Internal Elevation
Scale: 1:8



3 Glazing Bar Profile Plan
Scale: Actual Size



4 Glazing Bar Profile Section
Scale: Actual Size

Adequate locking system to be either incorporated within the door or alternative locking system to be agreed with Client

Revision	Date	Amendment	Notes					Client	Project		Burwell Deakins
A	25.04.2019	Planning Issue					Mrs and Mr Strobel	5 Gainsborough Gardens		info@burwellarchitects.com www.burwellarchitects.com	
							Project N°	785	785_A_022		Unit 001 California Building London SE13 7SF +44 (0) 2083 056010
							Date	1:50@ A1/1:100@A3 April 2019	Drawn	ASG	First Floor 6 Southernhay West Exeter EX1 1JG +44 (0) 1392 423981
							Revision	A			

NO DIMENSIONS ARE TO BE SCALED FROM THIS DRAWING. THE CONTRACTOR/MANUFACTURER IS RESPONSIBLE FOR CHECKING ALL DIMENSIONS AND QUERYING ANY DISCREPANCIES. THIS DRAWING IS THE PROPERTY OF BDA ARCHITECTS LTD. COPYRIGHT IS RESERVED BY THEM AND THE DRAWING IS ISSUED ON CONDITION THAT IT IS NOT COPIED, REPRODUCED, RETAINED OR DISCLOSED TO ANY UNAUTHORISED PERSON, EITHER WHOLLY OR IN PART, WITHOUT WRITTEN CONSENT.