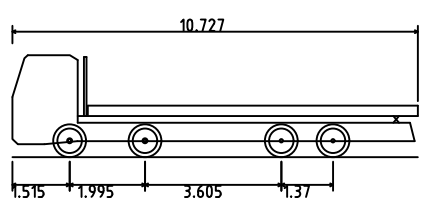


Rev	Details	Drawn	Checked	Date
...

NOTES:

- Do not scale from this drawing.
- This drawing to be read & printed in colour.
- This drawing is for illustrative purposes only, and not for construction.

DELIVERY LORRY



Overall Length	10.727m
Overall Width	2.500m
Overall Body Height	2.890m
Min Body Ground Clearance	0.341m
Track Width	2.471m
Lock-to-lock time	6.00s
Curb to Curb Turning Radius	11.900m

	FORWARD MOVEMENTS (design speed - 5kph)
	REVERSE MOVEMENTS (design speed - 2.5kph)

Client
BenProp UK Ltd

Project
8 - 10 Stukeley Street

Drawing Title
**Construction Traffic Management Plan:
Vehicular Swept Paths Analysis
using Delivery Lorry
(Sheet 1 of 2)**

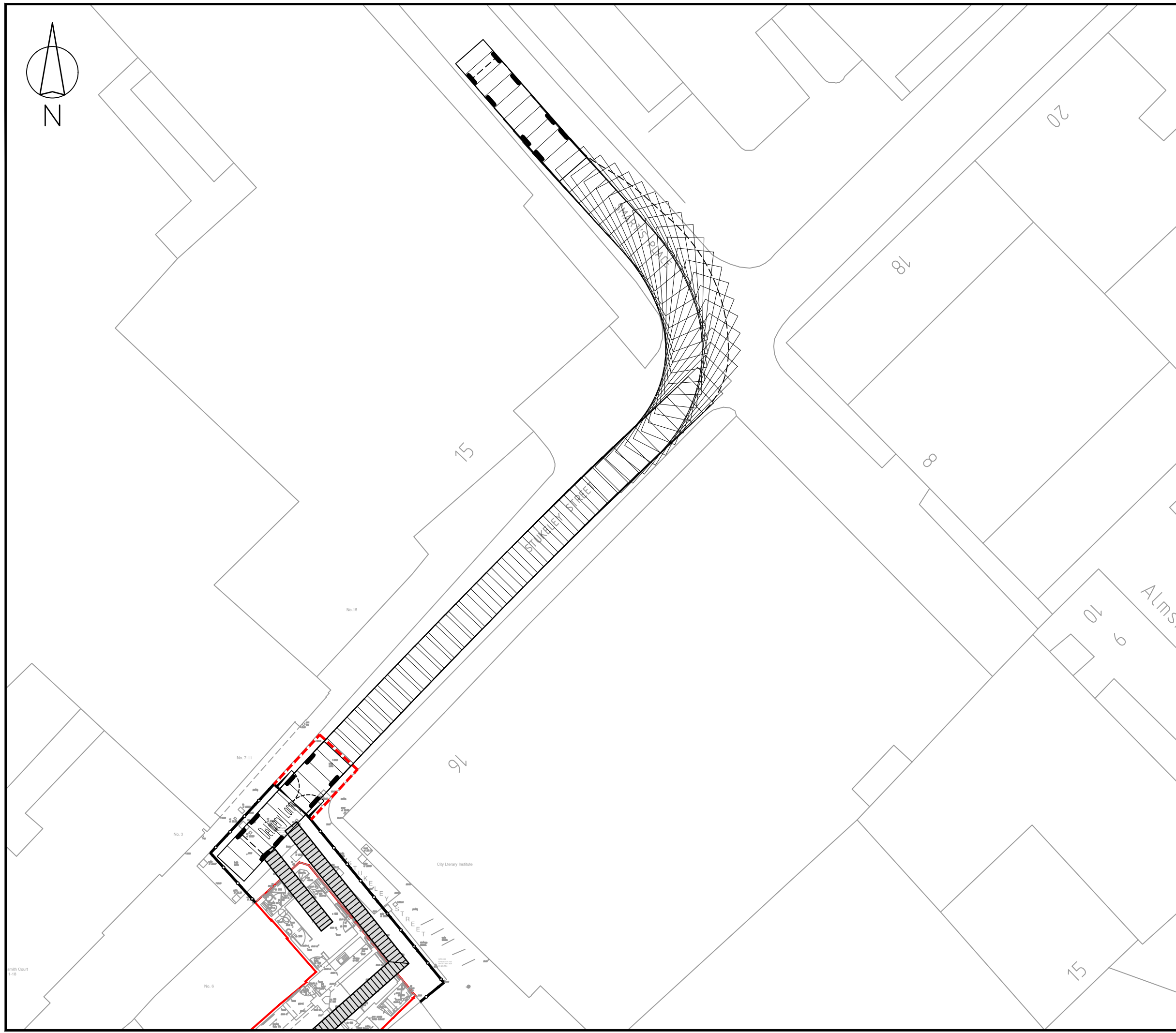
Scale **1:250** Size **A3**

Drawn DW 23.11.2018
Checked DF 23.11.2018



111 - 113 Great Portland Street
London
W1W 6QQ
Tel. No. 0207 1000 753

Drawing Number **2018-3432-TR01(1)** Rev

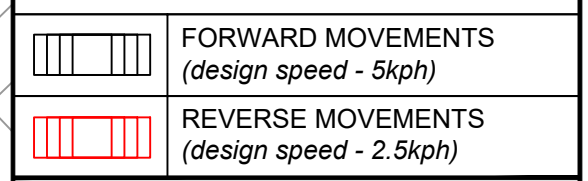
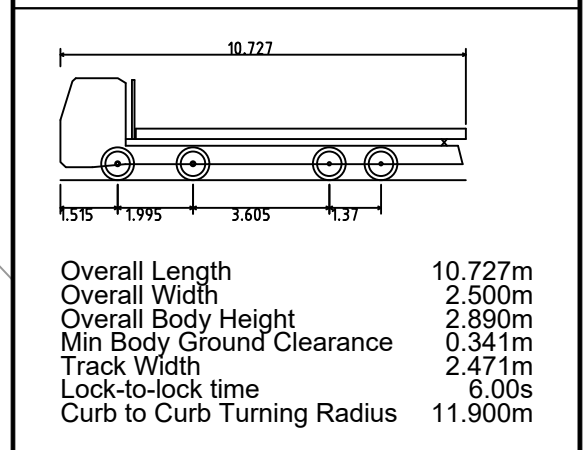


Rev	Details	Drawn	Checked	Date
...

NOTES:

1. Do not scale from this drawing.
2. This drawing to be read & printed in colour.
3. This drawing is for illustrative purposes only, and not for construction.

DELIVERY LORRY



Client
BenProp UK Ltd

Project
8 - 10 Stukeley Street

Drawing Title
**Construction Traffic Management Plan:
Vehicular Swept Paths Analysis
using Delivery Lorry
(Sheet 2 of 2)**

Scale	1:250	Size	A3
Drawn	DW	23.11.2018	
Checked	DF	23.11.2018	



111 - 113 Great Portland Street
London
W1W 6QQ
Tel. No. 0207 1000 753

Drawing Number	2018-3432-TR01(2)	Rev	
----------------	--------------------------	-----	--