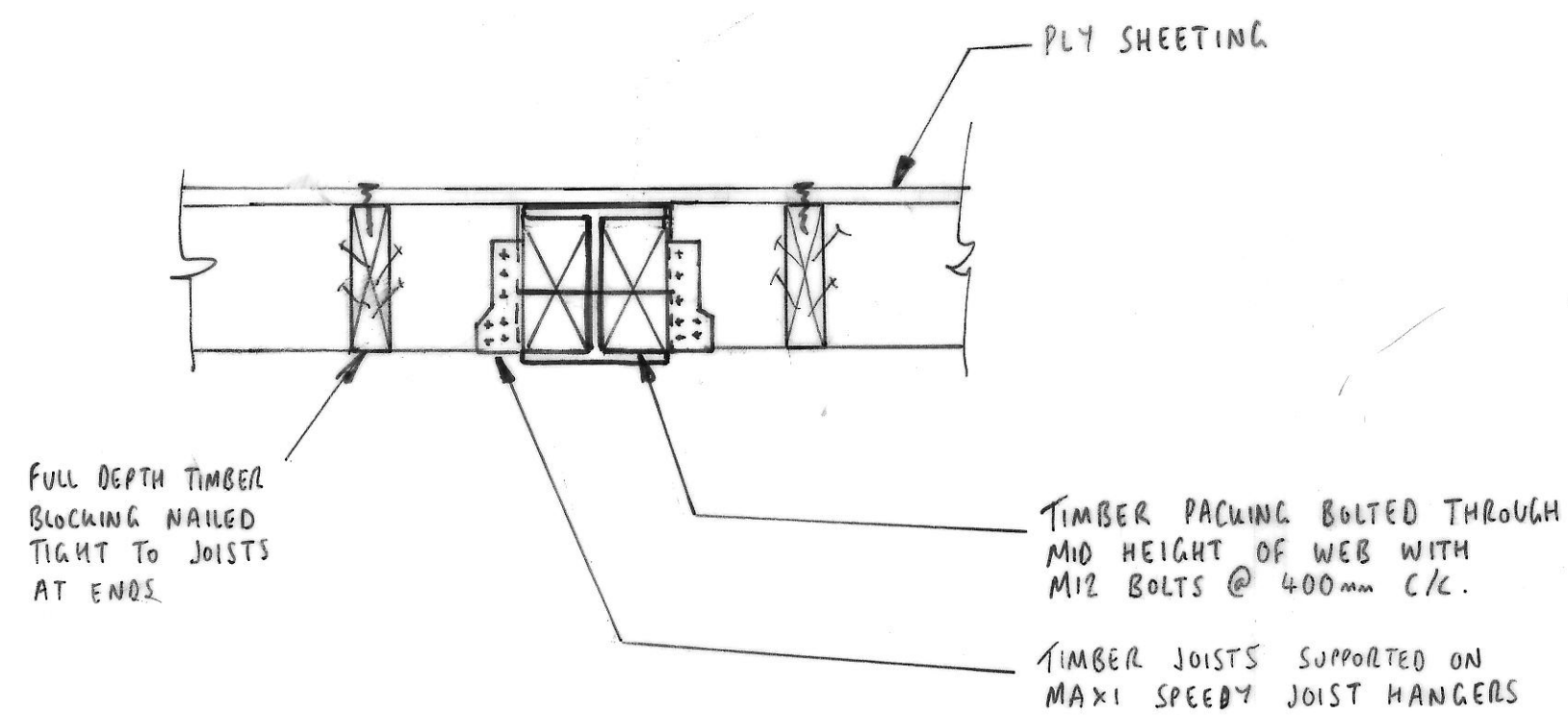
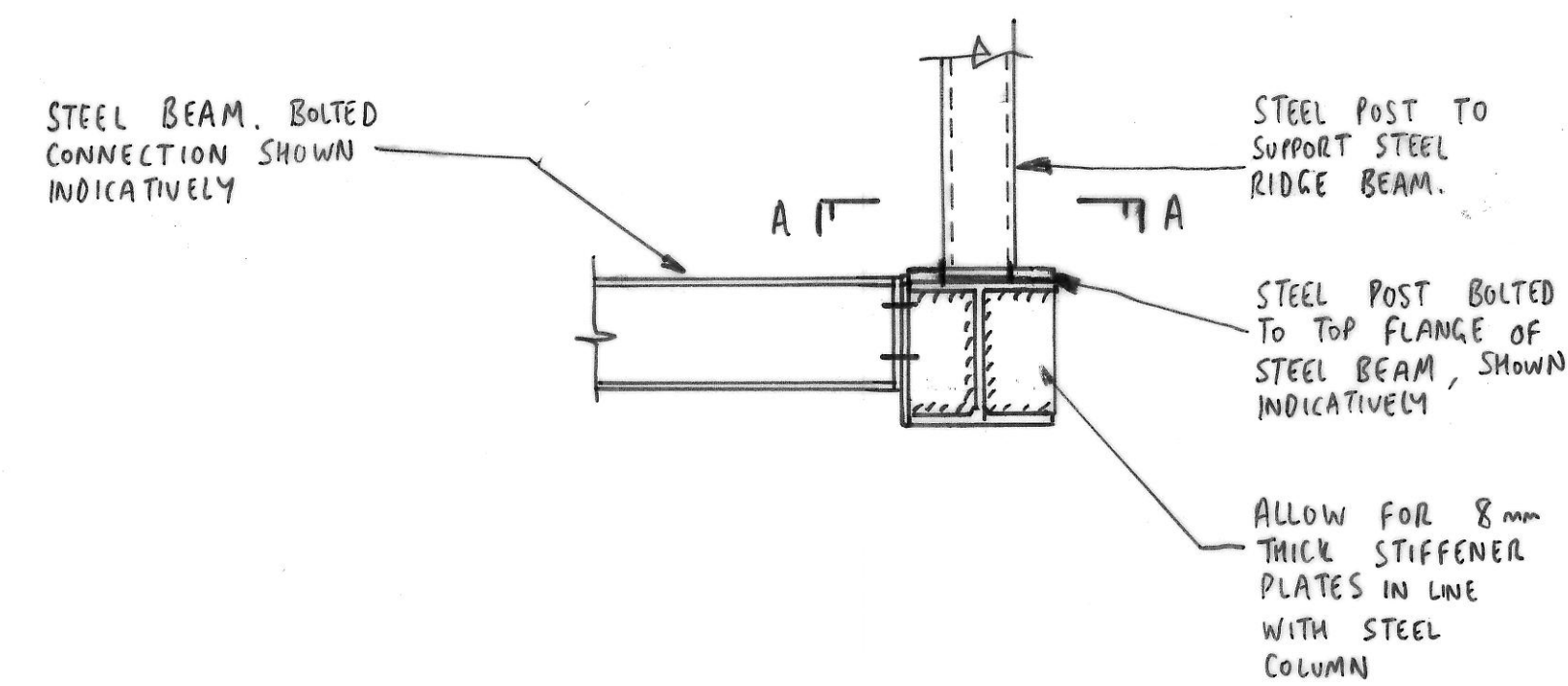


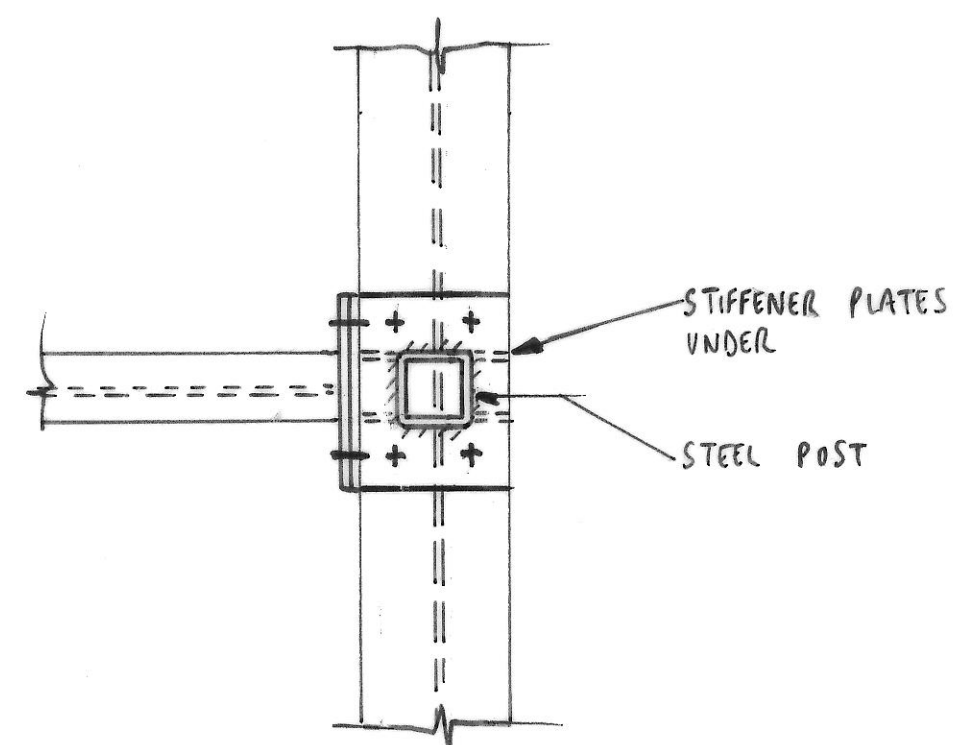
DETAIL 10-10



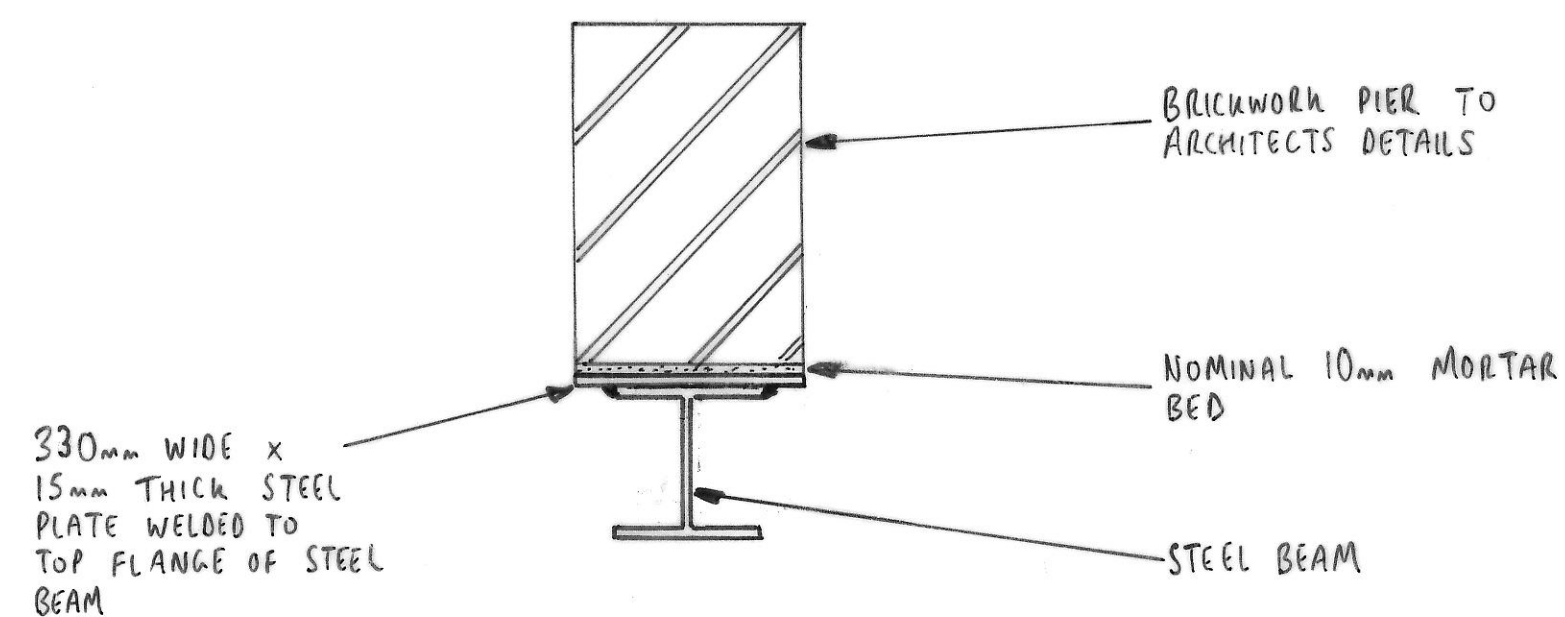
DETAIL 11-11



DETAIL 12-12



DETAIL A-A



DETAIL 13-13

- notes
1. THIS DRAWING IS TO BE READ IN CONJUNCTION WITH ALL RELEVANT ARCHITECTS AND ENGINEERS DRAWINGS AND THE SPECIFICATION.
 2. FOR GENERAL NOTES, KEY & SCHEDULES REFER TO DRAWING C1601/210/999.

NOT FOR CONSTRUCTION

28.01.19	ISSUED FOR TENDER	JM:
job DANISH CHURCH		
title PROPOSED STRUCTURE: VICARAGE, FIRST FLOOR DETAILS, SHEET 1		
drawn JHi	checked RA	
date JAN '19	scale (original - A1) AS SHOWN	
Alan Baxter		
75 Cowcross Street London EC1M 6EL tel 020 7250 1555 email aba@alanbaxter.co.uk www.alanbaxter.co.uk		
orig. no. C1601/210/230	rev.	