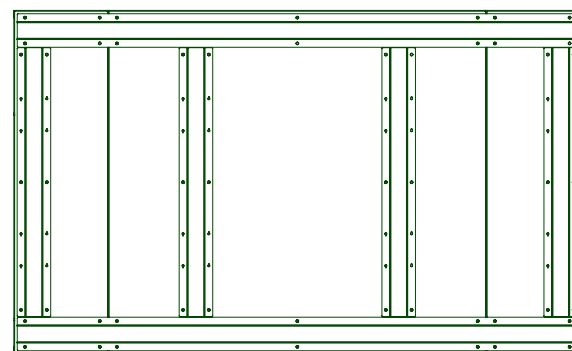
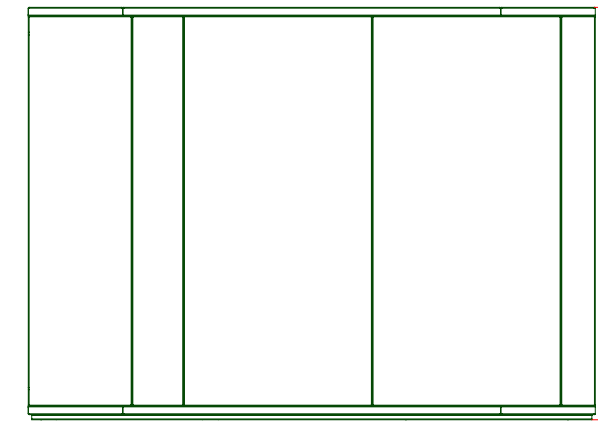
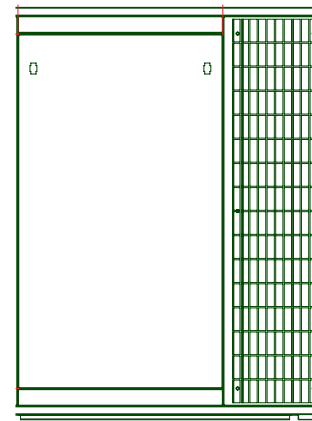
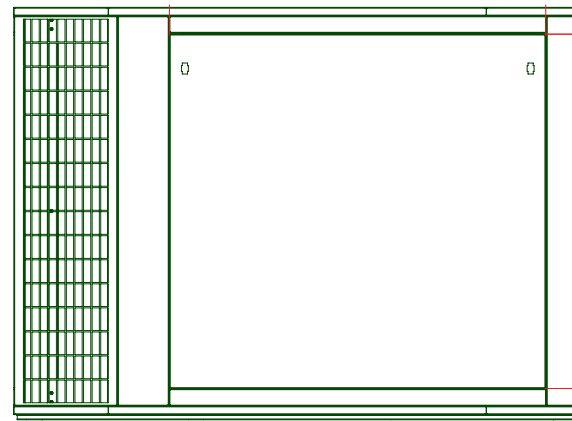
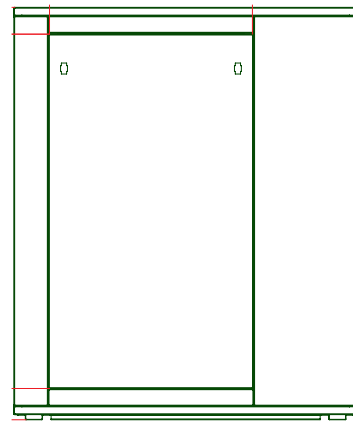
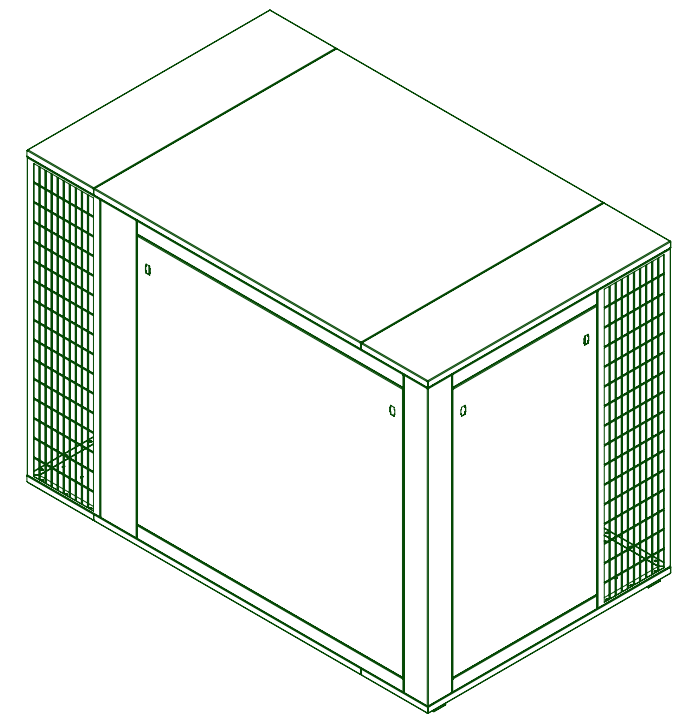


1 2 3 4 5 6 7 8

A
B
C
D
E
F



Enclosure 140kg
W1700mm x D1000mm x
H1300mm



THIRD ANGLE IF IN DOUBT ASK ALL DIMENSIONS ARE IN mm UNLESS OTHERWISE STATED DO NOT SCALE

DAIKIN : RZQG71L7V1B	
DRAWING NUMBER	SHEET 1 OF 1
A3 SCALE 1:22	ISS: D
DRAWN BY MJ	DATE: 09/10/2017 12:51:56

ENVIRON TECHNOLOGIES ELV RANGE

MATERIALS

ALL PANELS MADE FROM CNC FORMED 1.2mm ZINC COATED STEEL

ALL PANELS LINED WITH SELF ADHESIVE ACOUSTIC FOAM - REF TCSB-80-8011 / TCSB-80-8012

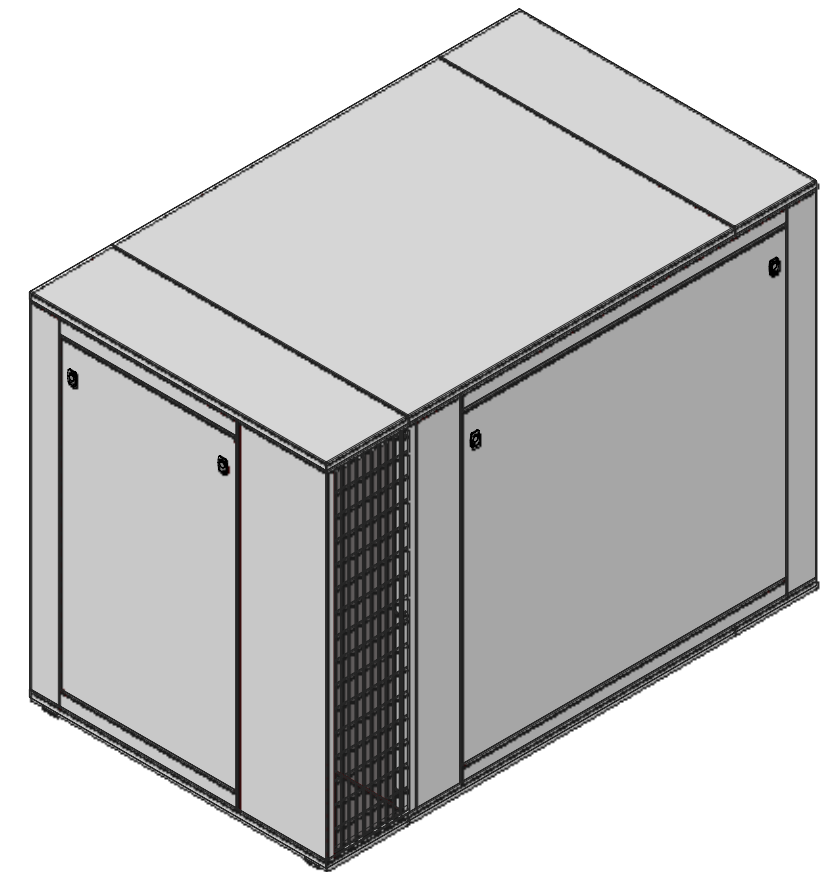
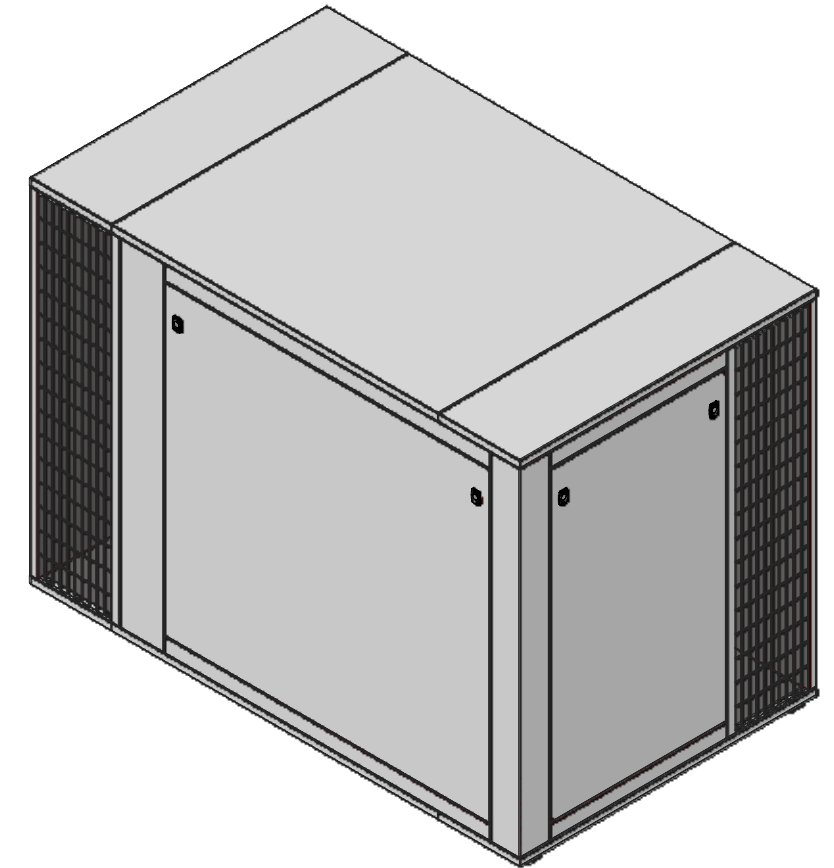
AC MOUNTS MADE FROM 3mm ZINC COATED STEEL

FINISH

ALL PANELS POWDER COATED TO CUSTOMER SPECIFICATION

FIXINGS

QTY	DESCRIPTION	REFERENCE
258	HIGH TORQUE SCREW	TCSB-85-8511-EN
6	M8 X 10mm HEXAGON HEAD SET SCREW	TCSB-87-8711-EN
6	M8 CAP NUT	TCSB-87-8711-EN
4	ANTI VIBRATION MOUNTS	TCSB-90-9011-EN
8	M8 x 38mm PENNY WASHER	TCSB-90-9011-EN
8	M8 HEXAGON FULL NUT	TCSB-90-9011-EN
1	CONDENSATE R/ANGLED DRAIN	TCSB-95-9511-EN
-	EPDM GASKET	TCSB-97-9711-EN
6	35mm CAM LOCK	TCSB-99-9933-EN



THIRD ANGLE IF IN DOUBT ASK ALL DIMENSIONS ARE IN mm UNLESS OTHERWISE STATED DO NOT SCALE

THIS DRAWING AND INFORMATION CONTAINED THEREON IS THE SOLE PROPERTY OF Environ Technologies. IT MUST NOT BE COPIED OR USED WITHOUT THE WRITTEN CONSENT OF Environ Acoustic Technologies, EXCEPT WHERE SUCH INFORMATION WAS SUPPLIED BY THE CLIENT TO WHOM THE DRAWING IS SUPPLIED.

ENVIRON TECHNOLOGIES ELV RANGE

DRAWING NUMBER
.TCSB-10-1011-EN

SHEET 1 OF 1

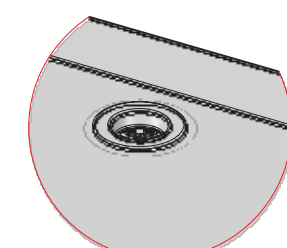
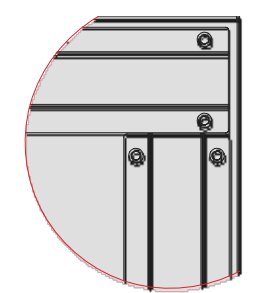
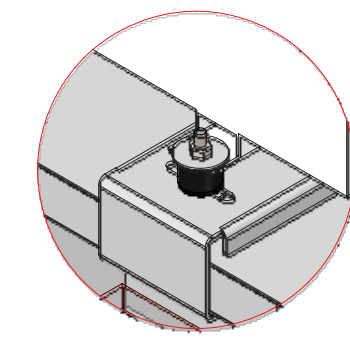
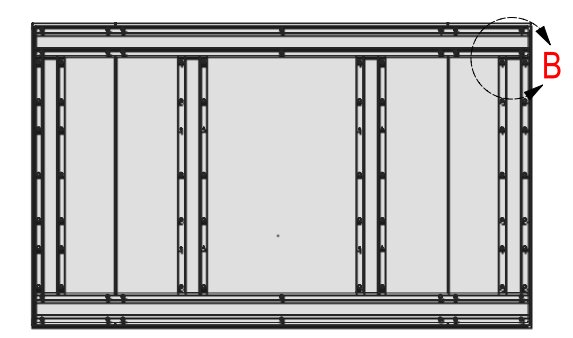
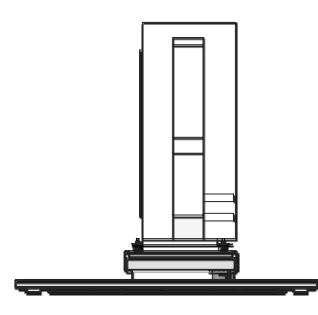
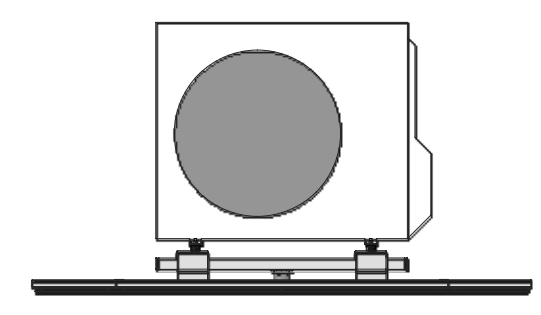
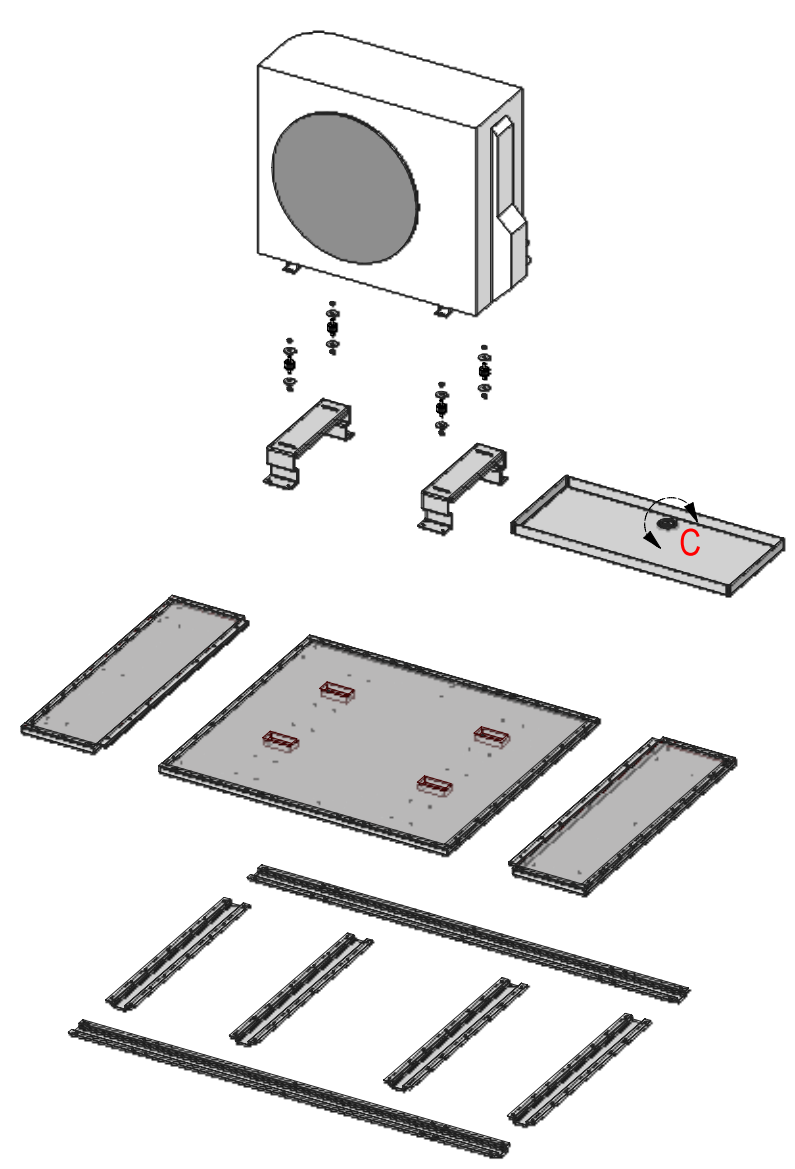
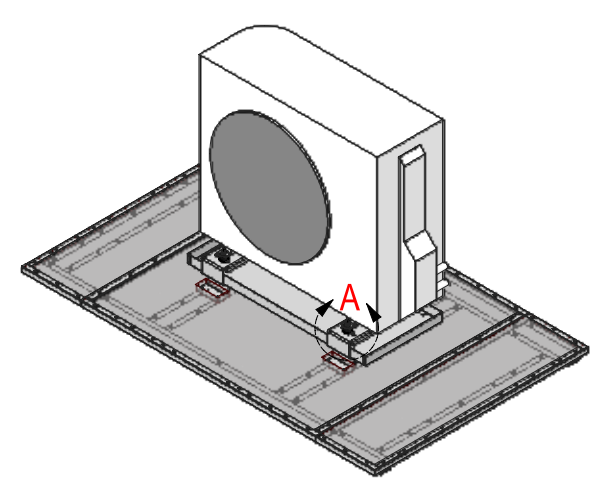
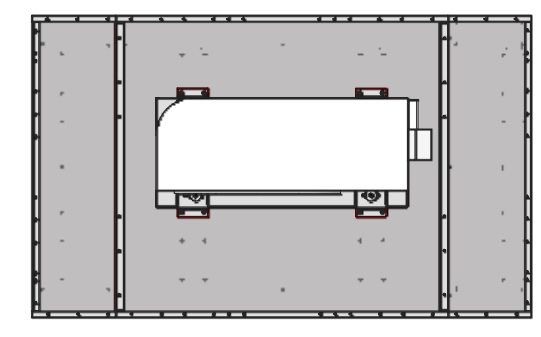
A3 SCALE 1:18

DRAWN BY MJ

DATE: 09/10/2017 06:13:45

ISS: A

Environ Technologies Ltd



DETAIL A
ANTI VIBRATION MOUNT FITTING
REF: TCSB-90-9011-EN
SCALE 1:5

DETAIL B
HIGH TORQUE FIXINGS
REF: TCSB-85-8511-EN
SCALE 1:7

DETAIL C
CONDENSATE R/ANGLED DRAIN FITTING
REF: TCSB-95-9511-EN
SCALE 1:5

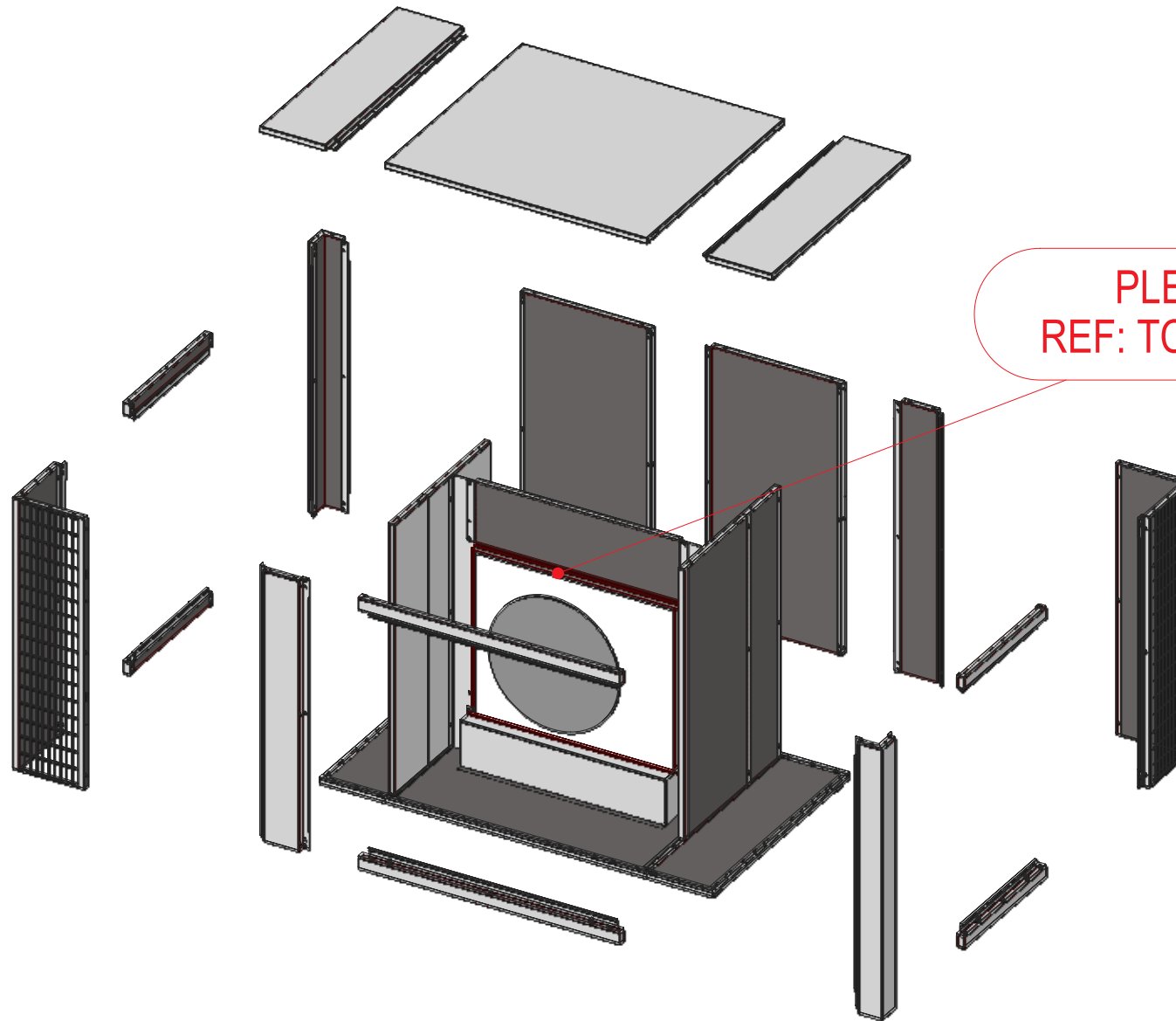
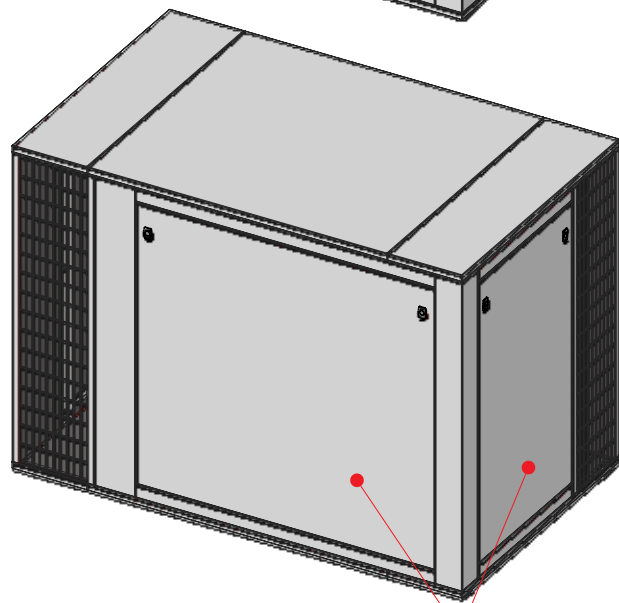
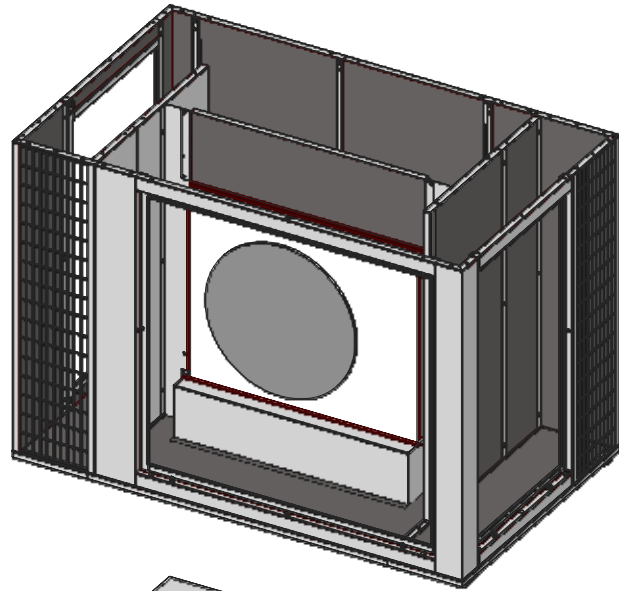


THIRD ANGLE IF IN DOUBT ASK ALL DIMENSIONS ARE IN mm UNLESS OTHERWISE STATED DO NOT SCALE

ELV BASE ASSEMBLY			
DRAWING NUMBER		SHEET 1 OF 1	
.TCSB-10-1022-EN			
A3 SCALE 1:25	DRAWN BY MJ	DATE: 09/10/2017 06:56:54	ISS: A

TYPICAL CONFIGURATION OF T-KIT PANELS
EXACT CONFIGURATION IS SITE SPECIFIC - REFER TO SITE ASSEMBLY INSTRUCTIONS

PANELS LINED WITH ACOUSTIC FOAM - REF TCSB-80-8011 / TCSB-80-8012
ALL PANELS FIXED USING HIGH TORQUE SCREWS - REF TCSB-85-8511-EN



PLENUM SEAL
REF: TCSB-97-9711-EN

LIFT OF DOOR PANELS
REF: TCSB-50-5011-EN

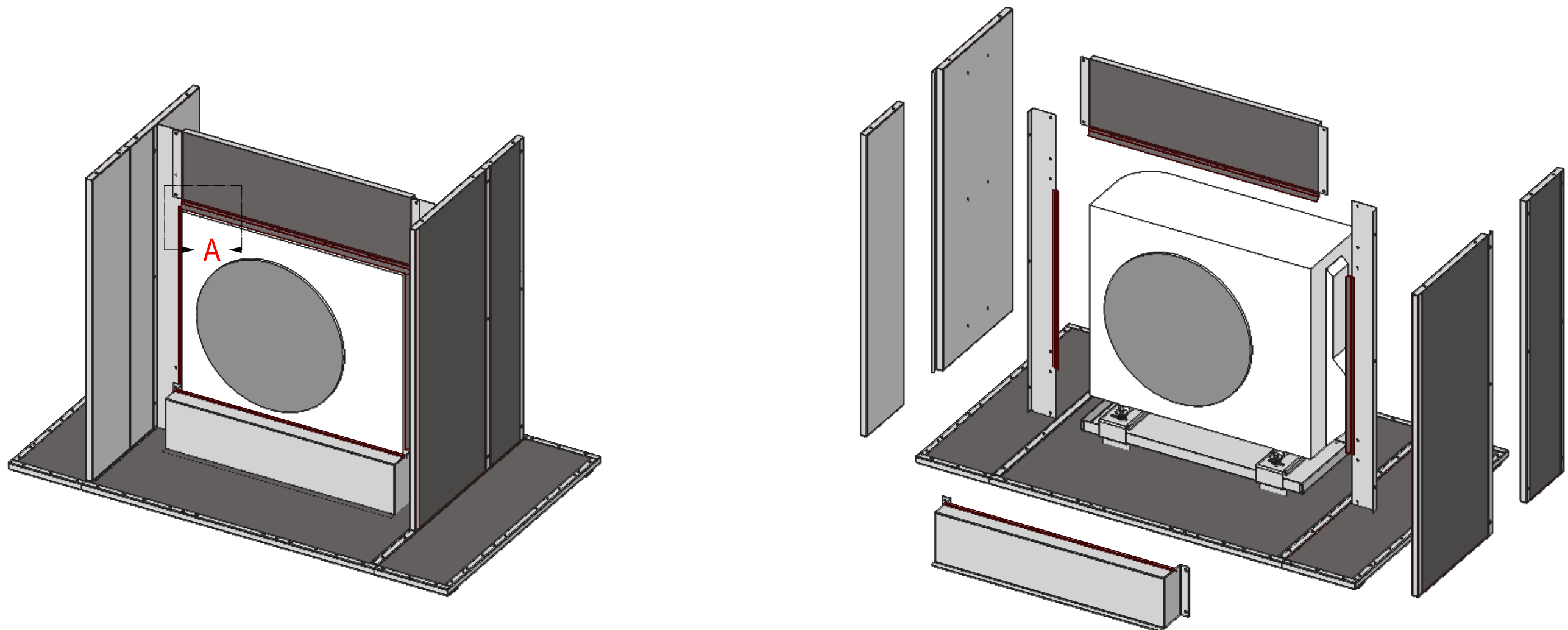


THIRD ANGLE IF IN DOUBT ASK ALL DIMENSIONS ARE IN mm UNLESS OTHERWISE STATED DO NOT SCALE

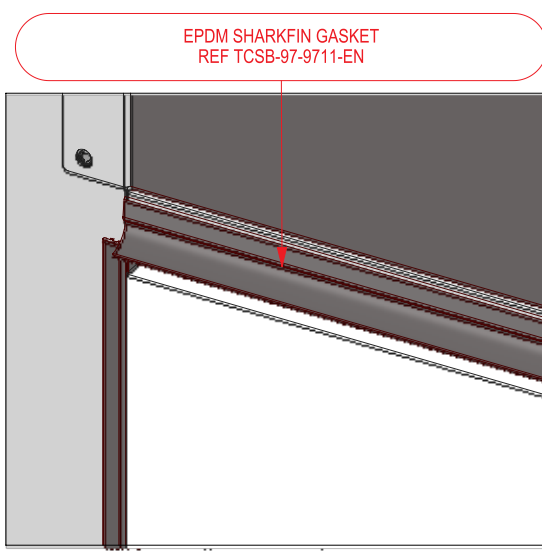
ELV ENCLOSURE ASSEMBLY			
DRAWING NUMBER		SHEET 1 OF 1	
.TCSB-10-1033-EN			
A3 SCALE 1:24	DRAWN BY MJ	DATE: 09/10/2017 06:22:56	ISS: A

1 2 3 4 5 6 7 8

A
B
C
D
E
F



DETAIL A



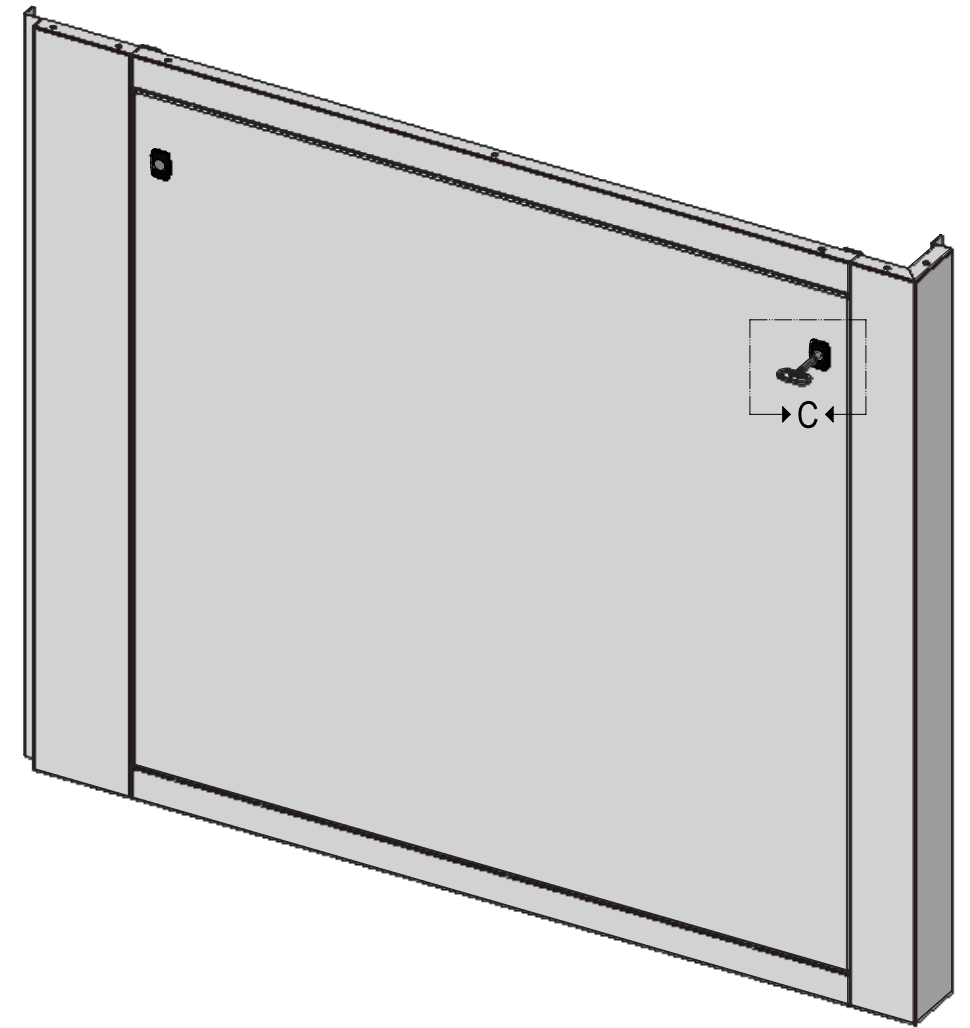
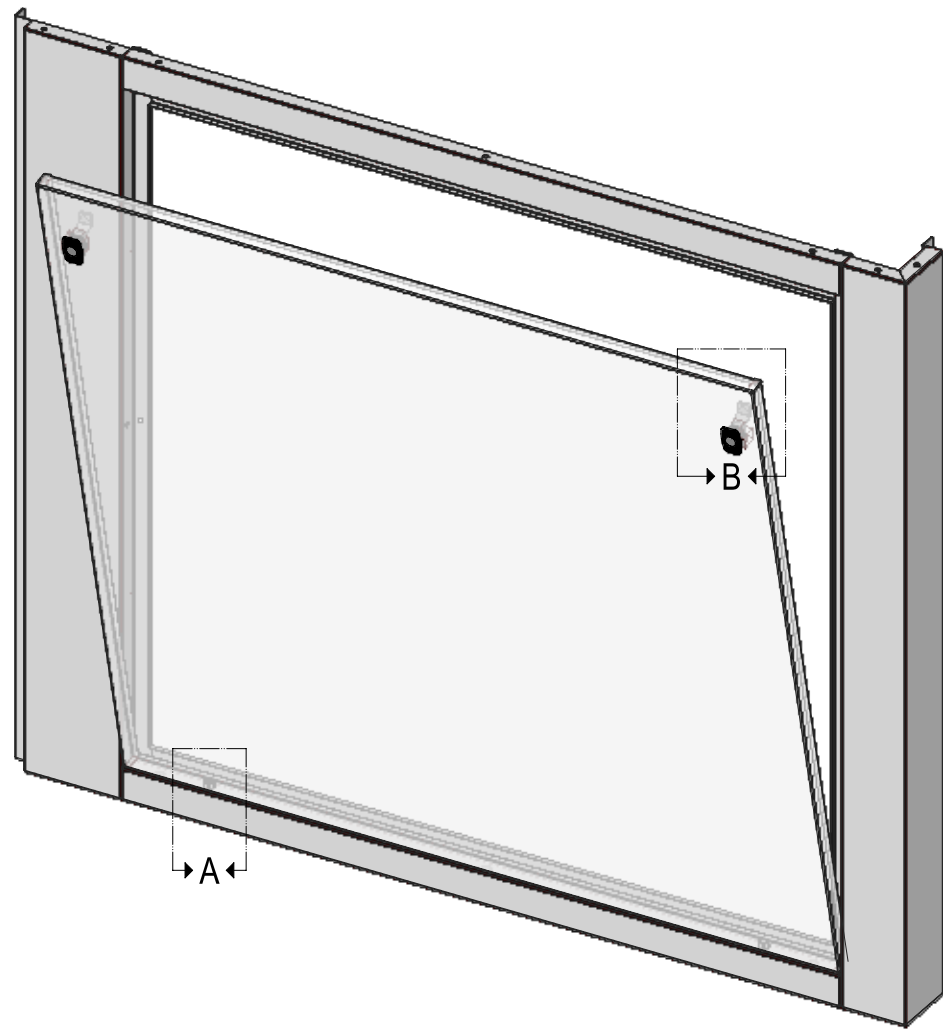
THIRD ANGLE IF IN DOUBT ASK ALL DIMENSIONS ARE IN mm UNLESS OTHERWISE STATED DO NOT SCALE

PLENUM ASSEMBLY			
DRAWING NUMBER		SHEET 1 OF 1	
.TCSB-10-1044-EN			
A3 SCALE 1:15	DRAWN BY MJ	DATE: 09/10/2017 09:02:16	ISS: G

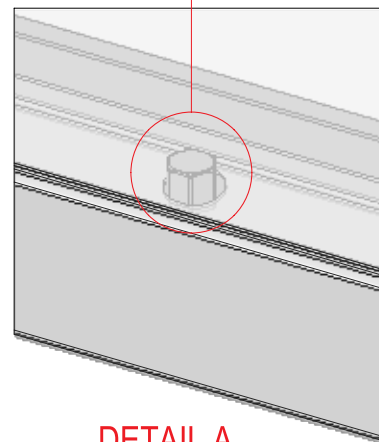
THIS DRAWING AND INFORMATION CONTAINED THEREON IS THE SOLE PROPERTY OF Environ Technologies. IT MUST NOT BE COPIED OR USED WITHOUT THE WRITTEN CONSENT OF Environ Acoustic Technologies, EXCEPT WHERE SUCH INFORMATION WAS SUPPLIED BY THE CLIENT TO WHOM THE DRAWING IS SUPPLIED.

Environ Technologies Ltd

FOR CAP NUTS REF: TCSB-87-8711-EN
 FOR DOOR LOCKS REF: TCSB-99-9933-EN

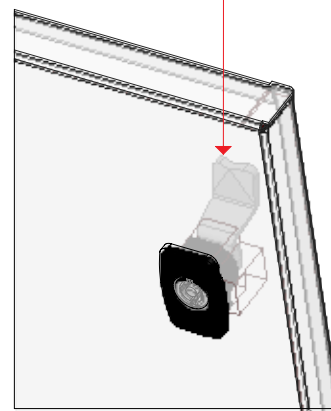


GUIDE THE DOOR ONTO THE CAP NUTS



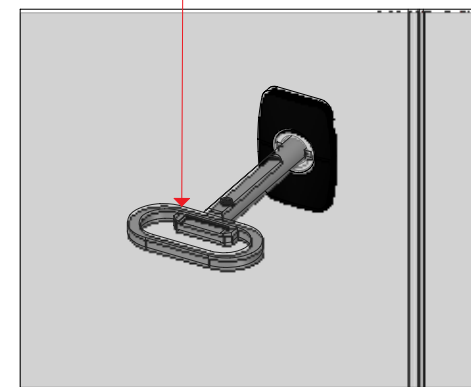
DETAIL A
SCALE 1:2

ENSURE THE CAMS ARE VERTICAL



DETAIL B
SCALE 1:3

USING THE KEY PROVIDED TURN THE CAMS HORIZONTAL TO LOCK DOOR



DETAIL C
SCALE 2:5



THIRD ANGLE IF IN DOUBT ASK ALL DIMENSIONS ARE IN mm UNLESS OTHERWISE STATED DO NOT SCALE

LIFT OFF DOORS

DRAWING NUMBER
TCSB-50-5011-EN

SHEET 1 OF 1

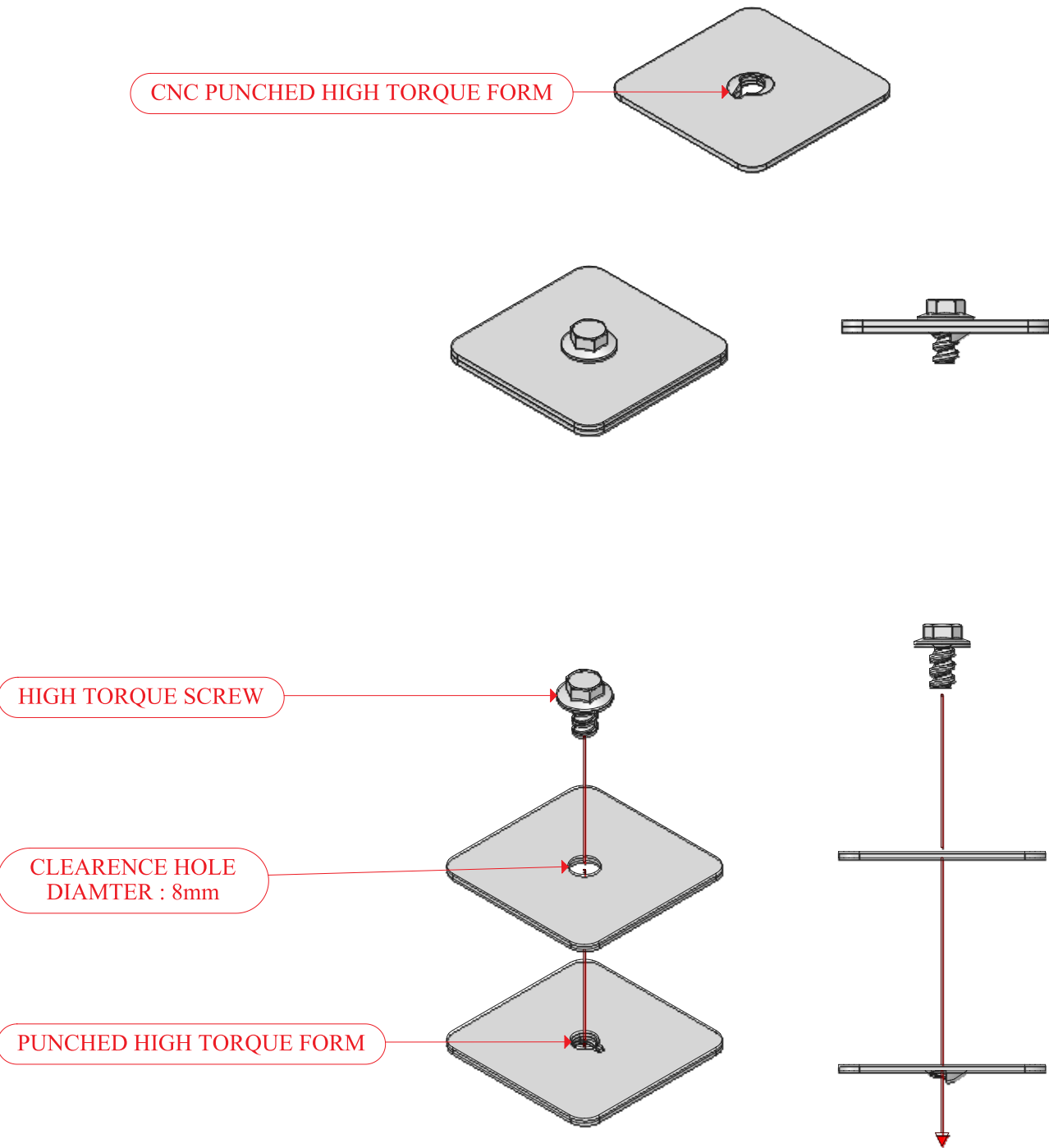
A3 SCALE 1:10

DRAWN BY MJ

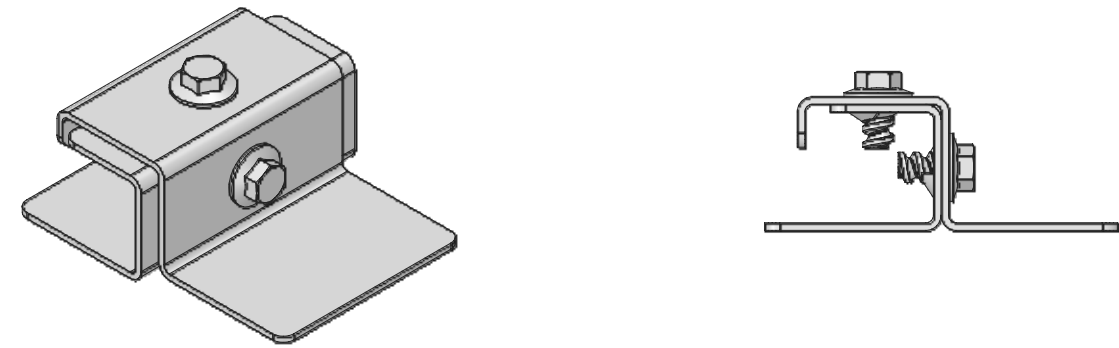
DATE: 09/10/2017 14:07:35

ISS: A

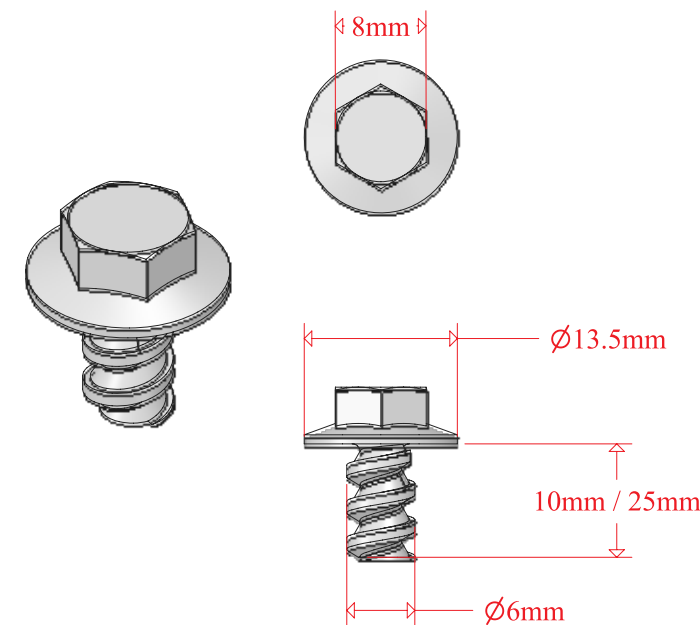
DETAIL A HIGH TORQUE FASTENING SYSTEM



DETAIL B TYPICAL HIGH TORQUE PANEL JOINING



DETAIL C HEX FLG HIGH TORQUE 8.8 STEEL BRIGHT ZINC PLATED



MANUFACTURER / SUPPLIER
Industrias Lotu,
S.A. 2009,
Pol. Ind. landaben,
c/A · 31012 PAMPLONA (España)
Tel: +34 948 281 925
Fax: +34 948 188 470

TYPICAL SIZES
6mm X 10mm
6mm X 25mm

METHOD FOR INSERTION
IMPACT DRIVER WITH MAGNETIC 8mm HEX BIT
OR 8mm SPANNER

FOR ADDITIONAL INFOMATION REF : [TCSB-85-8522](#)



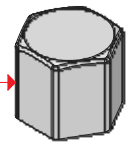
THIRD ANGLE IF IN DOUBT ASK ALL DIMONSONS ARE IN mm UNLESS OTHERWISE STATED DO NOT SCALE

THIS DRAWING AND INFORMATION CONTAINED THEREON IS THE SOLE PROPERTY OF Environ Technologies. IT MUST NOT BE COPIED OR USED WITHOUT THE WRITTEN CONSENT OF Environ Acoustic Technologies, EXCEPT WHERE SUCH INFORMATION WAS SUPPLIED BY THE CLIENT TO WHOM THE DRAWING IS SUPPLIED.

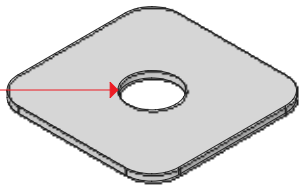
HIGH TORQUE SCREW	
DRAWING NUMBER .TCSB-85-8511-EN	SHEET 1 OF 1
A3 SCALE 2:3	ISS: A
DRAWN BY MJ	DATE: 09/10/2017 09:10:06

Environ Technologies Ltd

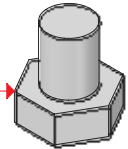
M8 CAP NUT
STEEL BRIGHT ZINC PLATED DIN 917



CLEARANCE HOLE
DIAMETER - 9mm



M8 x 10mm HEXAGON HEAD SET SCREW
HIGH TENSILE STEEL GRADE 8.8 BRIGHT ZINC PLATED, DIN 933



RECOMMENDED METHOD FOR INSERTION
2 13mm WRATCHET SPANNERS



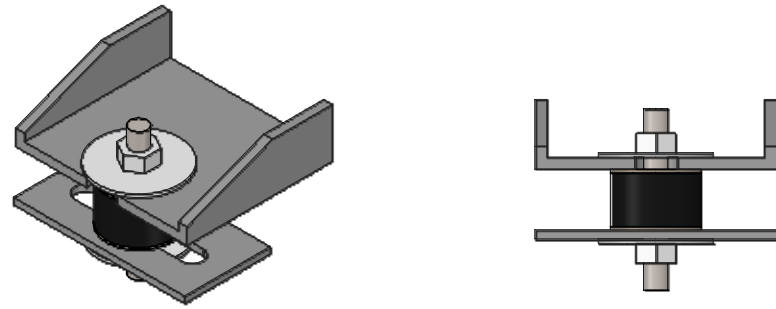
THIRD ANGLE IF IN DOUBT ASK ALL DIMENSIONS ARE IN mm UNLESS OTHERWISE STATED DO NOT SCALE

M8 CAP NUT FITTING

DRAWING NUMBER TCSB-87-8711-EN SHEET 1 OF 1

A3 SCALE 1:1 DRAWN BY MJ DATE: 09/10/2017 13:13:02 ISS: A

DETAIL A ANTI VIBRATION MOUNT FASTENING SYSTEM



M8 HEXAGON FULL NUT
GRADE 8 STEEL BRIGHT ZINC PLATE DIN 934

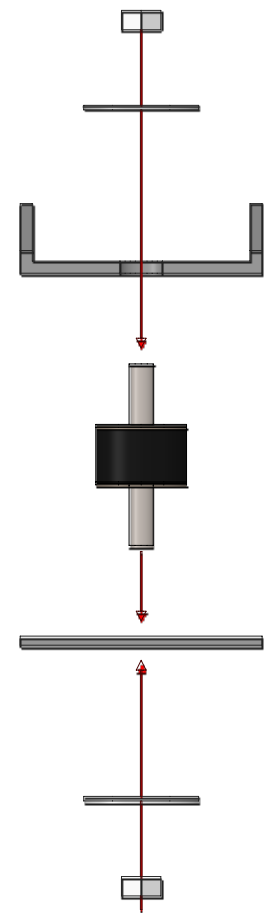
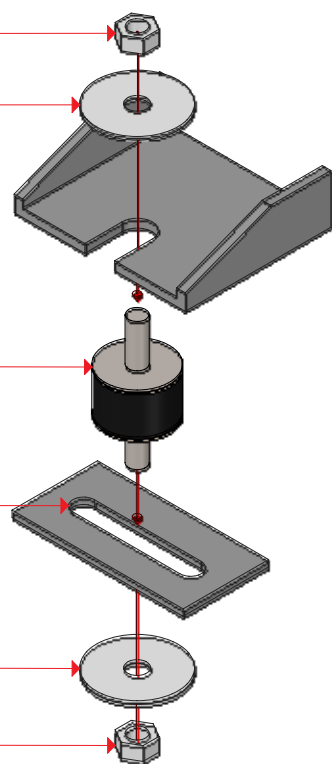
M8 x 38 x 1.5mm PENNY WASHER
STEEL BRIGHT ZINC PLATED DIN 9021

M8 30x20
ANTI VIBRATION MOUNT

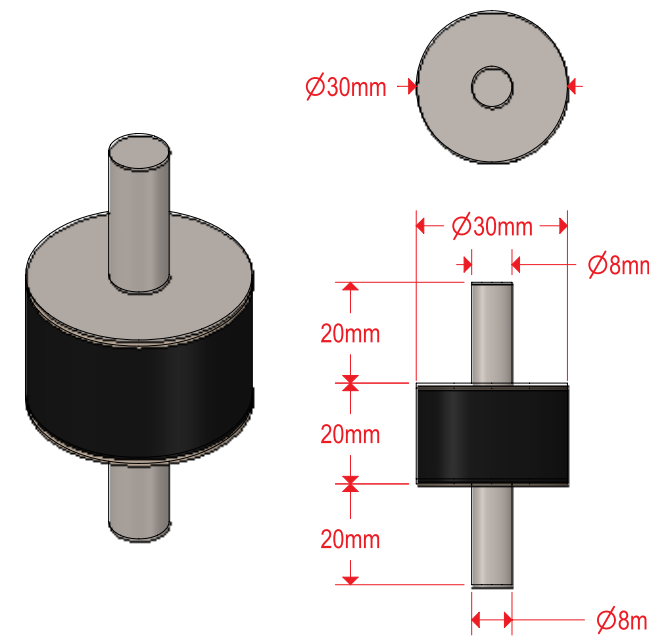
CLEARANCE OBROUND
50mm x 9mm

M8 x 38 x 1.5mm PENNY WASHER
STEEL BRIGHT ZINC PLATED DIN 9021

M8 HEXAGON FULL NUT
GRADE 8 STEEL BRIGHT ZINC PLATE DIN 934



DETAIL B M8 30x20 ANTI VIBRATION MOUNT



SCALE 2:3

MANUFACTURER / SUPPLIER
Nene Rubber & Plastics Ltd
43 North Street - Stanground
Peterborough
Cambridgeshire
PE2 8HR
United Kingdom
Tel: 01733 894949
Fax: 01733 894950
E-mail: sales@nene-rubber.co.uk

TYPICAL SIZES
6mm X 10mm
6mm X 25mm

METHOD FOR INSERTION
TWO 13mm SPANNERS



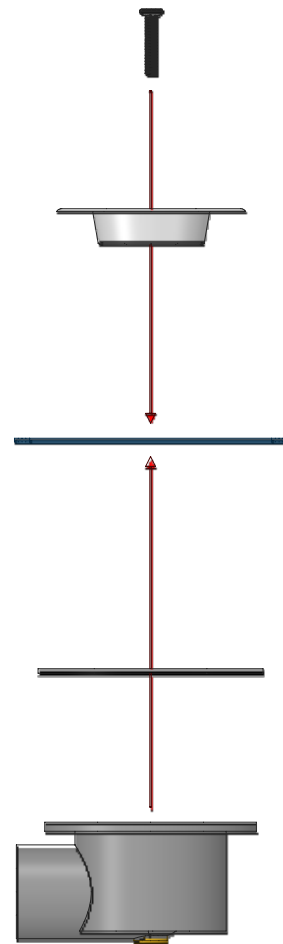
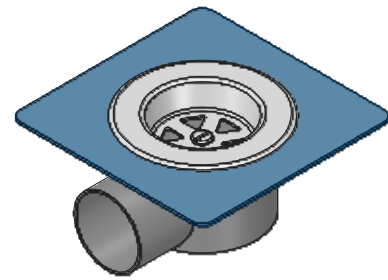
THIRD ANGLE IF IN DOUBT ASK ALL DIMENSIONS ARE IN mm UNLESS OTHERWISE STATED DO NOT SCALE

THIS DRAWING AND INFORMATION CONTAINED THEREON IS THE SOLE PROPERTY OF Environ Technologies. IT MUST NOT BE COPIED OR USED WITHOUT THE WRITTEN CONSENT OF Environ Acoustic Technologies, EXCEPT WHERE SUCH INFORMATION WAS SUPPLIED BY THE CLIENT TO WHOM THE DRAWING IS SUPPLIED.

M8 30 x 20 ANTI VIBRATION MOUNTS			
DRAWING NUMBER	SHEET 1 OF 1		
.TCSB-90-9011-EN			
A3 SCALE 2:5	DRAWN BY MJ	DATE: 09/10/2017 10:28:04	ISS: A

Environ Technologies Ltd

DETAIL A RIGHT ANGLED DRAIN FITTING



STAINLESS SCREW

STAINLESS STEEL DRAIN

CLEARANCE HOLE
Diameter - 43mm

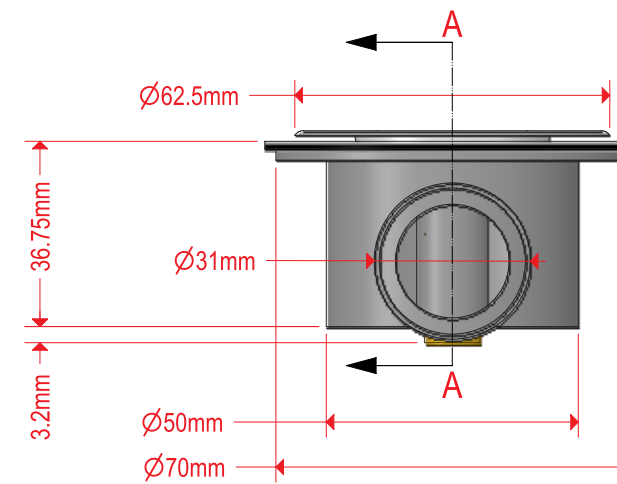
RUBBER GASKET

PLASTIC DRAIN

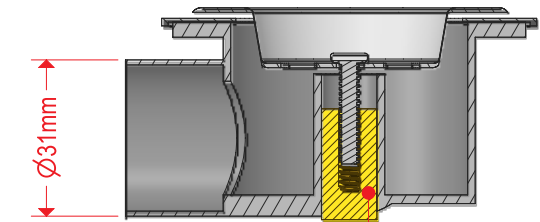
DETAIL B CONDENSATE RIGHT ANGLED DRAIN F628



SUPPLIER
Crusader Products Ltd,
Gordon House,
Acton Grove,
Long Eaton,
Nottingham,
Nottinghamshire,
NG10 1FY



SCALE 2:3



BRASS PLATED THREAD

SECTION A-A
SCALE 2:3



THIRD ANGLE IF IN DOUBT ASK ALL DIMENSIONS ARE IN mm UNLESS OTHERWISE STATED DO NOT SCALE

THIS DRAWING AND INFORMATION CONTAINED THEREON IS THE SOLE PROPERTY OF Environ Technologies. IT MUST NOT BE COPIED OR USED WITHOUT THE WRITTEN CONSENT OF Environ Acoustic Technologies, EXCEPT WHERE SUCH INFORMATION WAS SUPPLIED BY THE CLIENT TO WHOM THE DRAWING IS SUPPLIED.

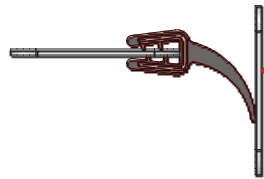
RIGHT ANGLED DRAIN FITTING			
DRAWING NUMBER		SHEET 1 OF 1	
.TCSB-95-9511-EN			
A3 SCALE 2:5	DRAWN BY MJ	DATE: 09/10/2017 09:32:14	ISS: A

Environ Technologies Ltd

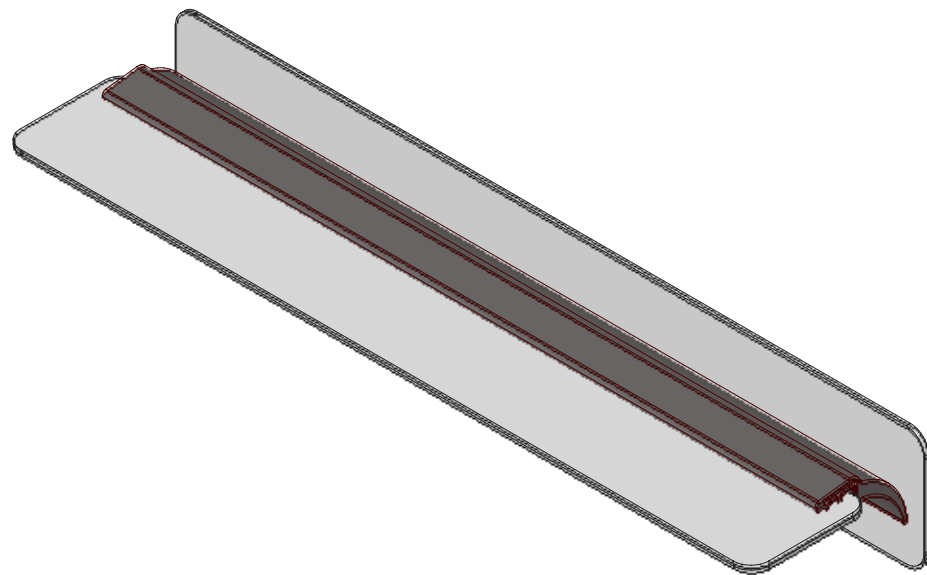
DETAIL A
FITTING PLENUM SEAL



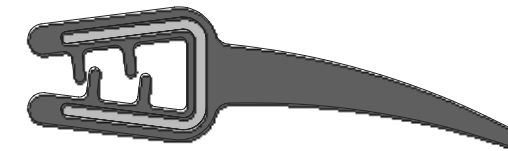
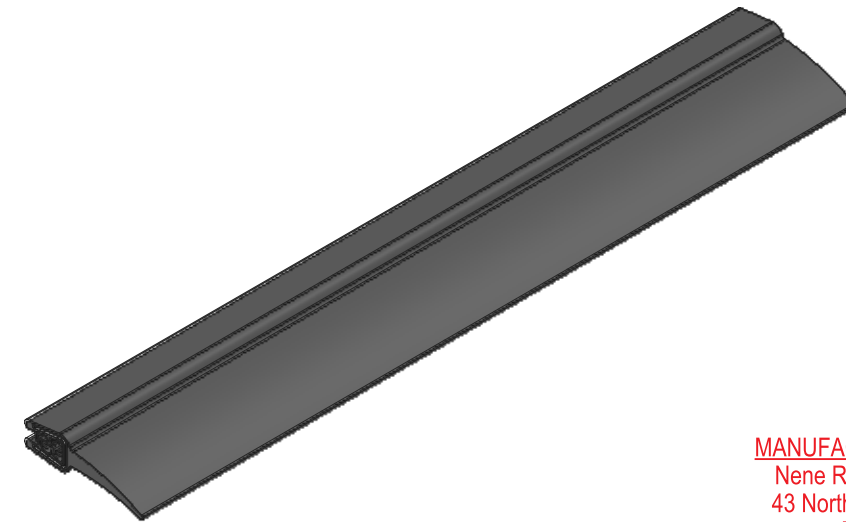
PUSH ONTO EDGE OF PANEL



PUSH AGAINST OPPOSING OBJECT TO CREATE SEAL



DETAIL B
M112004800 EPDM seal



MANUFACTURER / SUPPLIER
Nene Rubber & Plastics Ltd
43 North Street - Stanground
Peterborough
Cambridgeshire
PE2 8HR
United Kingdom
Tel: 01733 894949
Fax: 01733 894950
E-mail: sales@nene-rubber.co.uk



THIRD ANGLE IF IN DOUBT ASK ALL DIMENSIONS ARE IN mm UNLESS OTHERWISE STATED DO NOT SCALE

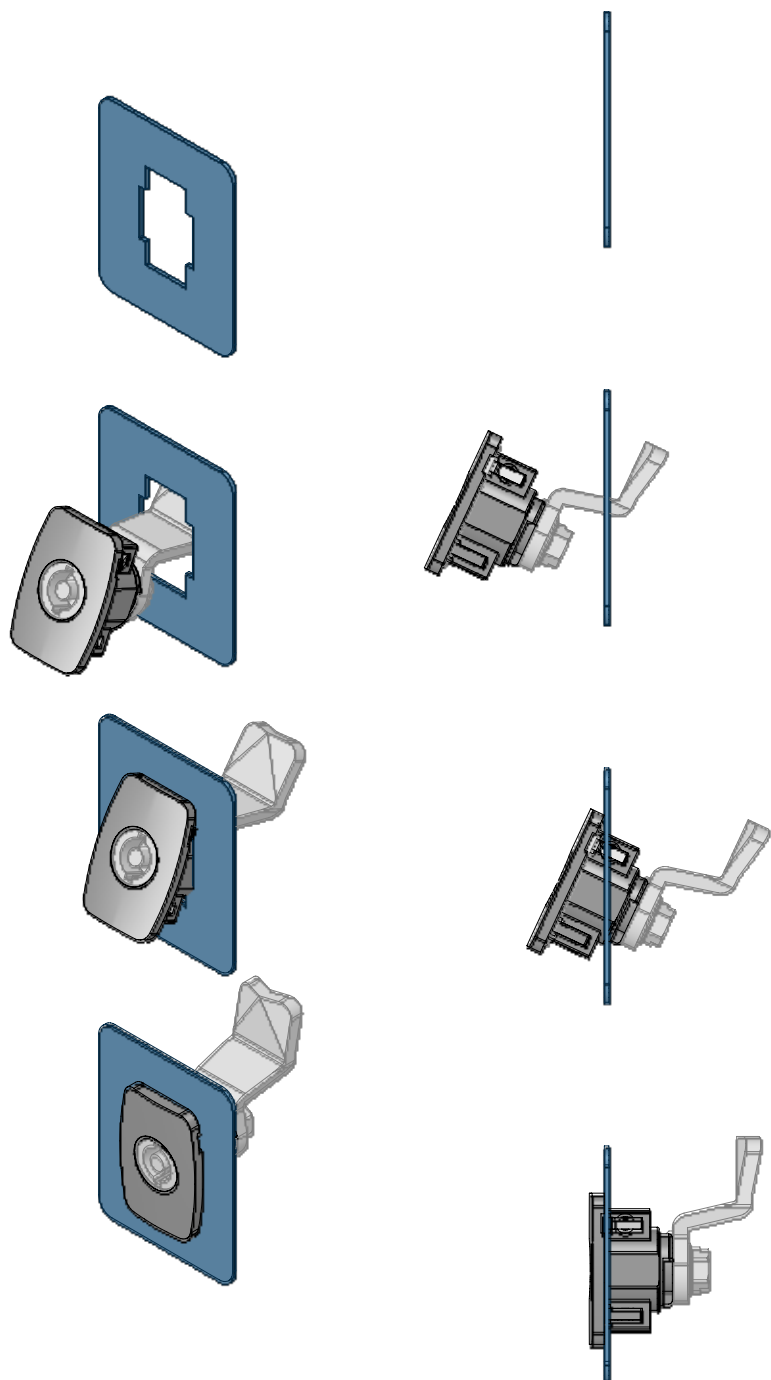
THIS DRAWING AND INFORMATION CONTAINED THEREON IS THE SOLE PROPERTY OF Environ Technologies. IT MUST NOT BE COPIED OR USED WITHOUT THE WRITTEN CONSENT OF Environ Acoustic Technologies, EXCEPT WHERE SUCH INFORMATION WAS SUPPLIED BY THE CLIENT TO WHOM THE DRAWING IS SUPPLIED.

M112004800 EPDM Plenum Seal			
DRAWING NUMBER		SHEET 1 OF 1	
.TCSB-97-9711-EN			
A3 SCALE 2:3	DRAWN BY MJ	DATE: 09/10/2017 10:09:58	ISS: A

Environ Technologies Ltd

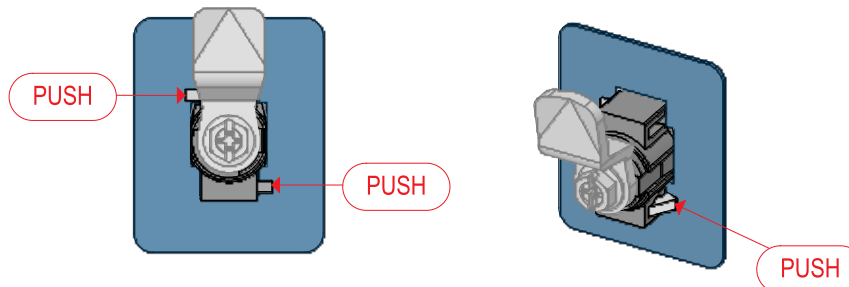
DETAIL A QUATER TURN LOCK FITTING

TO FIT THE LOCK PUSH THROUGH THE CUT OUT
AS SHOWN AND THE SPRING CATHES WILL HOLD IT IN PLACE



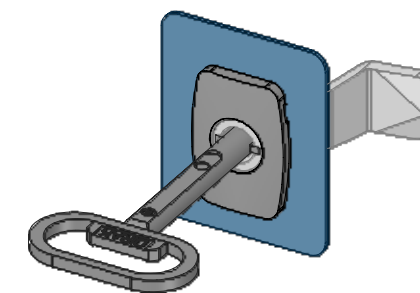
DETAIL B QUATER TURN LOCK REMOVAL

TO REMOVE THE LOCK PUSH IN
SPRING CATCHES

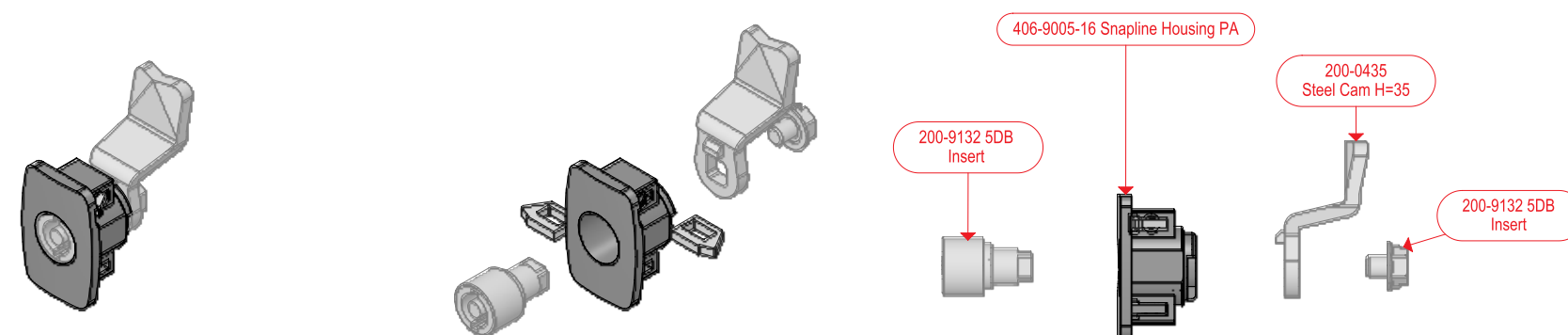


DETAIL C QUATER TURN LOCK CLOSING

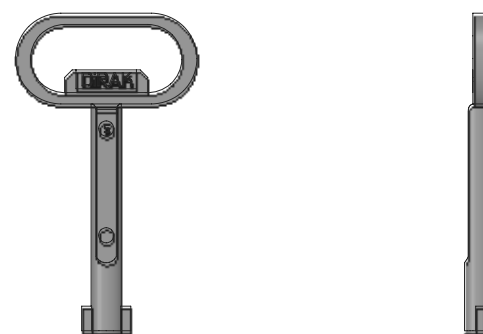
TO CLOSE THE LOCK
USE THE KEY PROVIDED TO TURN THE CAM



DETAIL D QUATER TURN LOCK - SLPA5DB/35



DETAIL E QUATER TURN LOCK KEY - 5DB Key 204-0108



SUPPLIER
FDB Panel Fittings Ltd,
Unit 20, Worton Hall Industrial Estate
Isleworth, Middlesex,
TW7 6ER, United Kingdom

Tel: 0044 (0) 208 568 1616
Fax: 0044 (0) 208 568 5656

MANUFACTURER
DIRAK Dieter Ramsauer
Konstruktionselemente GmbH
Königsfelder Straße 1
58256 Ennepetal, Germany
Phone: +49 (0) 2333 / 837-0
Fax: +49 (0) 2333 / 837-103
Email: info@dirak.de



THIRD ANGLE IF IN DOUBT ASK ALL DIMENSIONS ARE IN mm UNLESS OTHERWISE STATED DO NOT SCALE

THIS DRAWING AND INFORMATION CONTAINED THEREON IS THE SOLE PROPERTY OF Environ Technologies. IT MUST NOT BE COPIED OR USED WITHOUT THE WRITTEN CONSENT OF Environ Acoustic Technologies, EXCEPT WHERE SUCH INFORMATION WAS SUPPLIED BY THE CLIENT TO WHOM THE DRAWING IS SUPPLIED.

QUARTER-TURN SNAPLINE 35mm CAM LOCK

DRAWING NUMBER	SHEET 1 OF 1
.TCSB-99-9933-EN	
A3 SCALE 1:2	ISS: A
DRAWN BY MJ	DATE: 09/10/2017 13:51:58

Environ Technologies Ltd