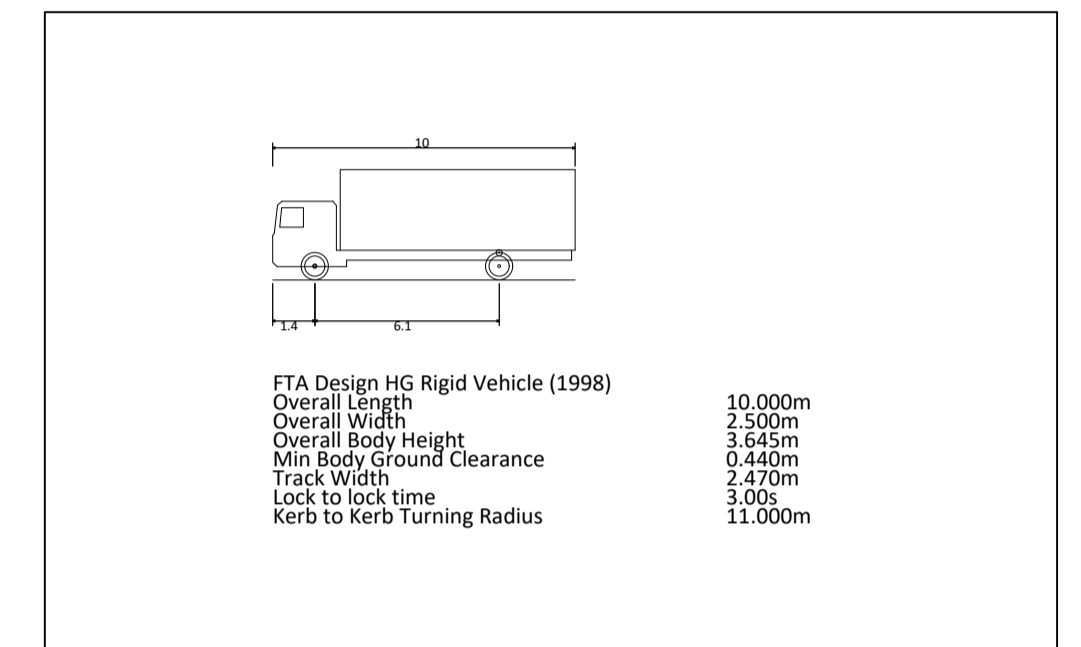


NOTES

Do not scale from this drawing.
 All dimensions are in millimetres unless noted otherwise.
 This drawing is to be used in conjunction with all relevant drawings, specifications and details.

Key

- Wheel Line
- Body Line
- Cycle Lane (1m wide)
- Rhino Barrier (500mm wide)



Survey grid and Datum are based on drawing 18112G provided by TWICKENHAM SURVEYS

Conway Street to Warren Street and into Cleveland Street

- Northampton
4 Ironstone Way, Brighthelm,
Northampton NN5 9UD
T: 01604 781811
- Manchester
3rd Floor, 82 King Street,
Manchester, M2 4WQ
T: 0161 6822927
- Milton Keynes
Suite 25 Linford Forum, Rockingham Drive,
Linford Wood, Milton Keynes, MK14 6LV
T: 01908 889433

E: mail@jppuk.net
 W: jppuk.net

- Infrastructure Design
- Structural Engineering
- Planning Services
- Geotechnical & Environmental
- Surveying
- Professional Advice

Drawn By:	JP	Client:	ARJ Construction
Chkd By:	WRA	Project:	Swept Path Analysis Cambridge Hosue, Birkbeck College
Scale @ A1:	1:200	Title:	Class 2 HGV Rigid (Forward Manoeuvre) Swept Path Analysis
Date:	27.03.2019	Status:	FOR INFORMATION
Project No.:	11297C	Drawing No.:	006
		Rev:	

