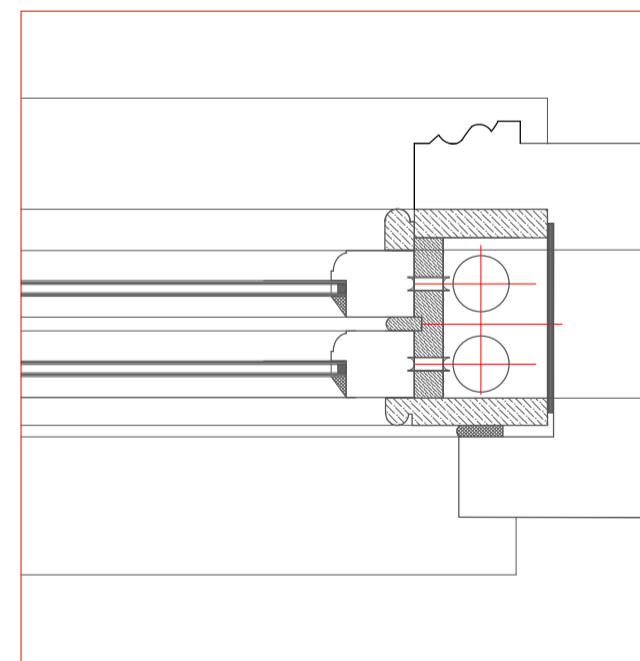
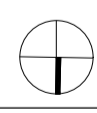


New window details



A2

MURRAY JOHN ARCHITECTS BRUNSWICK HOUSE 30 WANDSWORTH ROAD LONDON SW8 2LG Tel: 020 7720 0377 Fax: 020 7720 0393 murray@murrayjohn.com	scale: 1:5 @ A2	 <small>DO NOT SCALE FROM THIS DRAWING check all dimensions on site or with architects</small>	PROJECT ADDRESS: 38 Allcroft Road NW5 4NE	DWG NO: 791/10
	date: 08.04.19		NEW WINDOW DETAILS	Project No.: 791
issue:			Revision:	