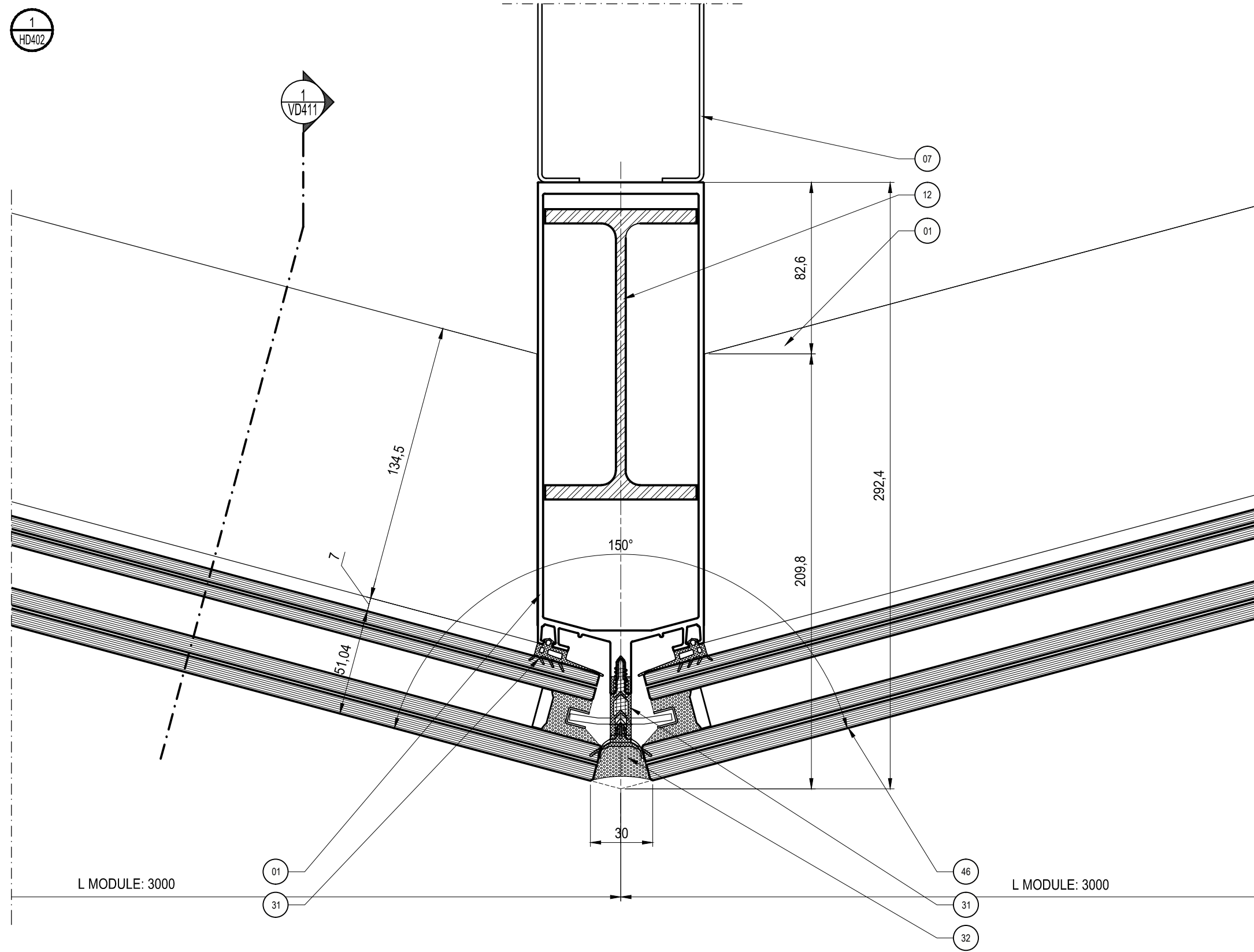
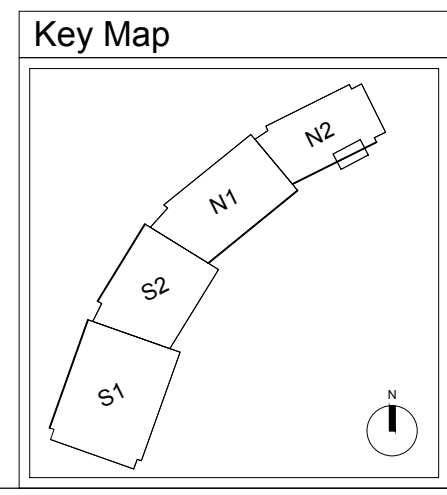


1
HD402

1
VD411



MATERIAL KEY LIST		Issue:	Job:
ALUMINIUM COMPONENTS		1-13	160070
01	ALUMINIUM PROFILE PPC RAL 7022	File: KXC-T2-00-Y-FOC-Z1-HD402 Issued for: INFORMATION	Scale: 1:2 @ A3 Draw: HD402
02	ALUMINIUM PROFILE BRONZE ANODISED		
03	ALUMINIUM SHEET/PROFILE NATURAL ANODISED		
04	ALUMINIUM BRACKETS MILL FINISH		
05	ALUMINIUM SHEET BRONZE ANODISED		
06	PERFORATED ALUMINIUM SHEET BRONZE ANODISED		
07	ALUMINIUM SHEET PPC RAL 7022		
08	ALUMINIUM BRACKETS BRONZE ANODISED		
09	ALUMINIUM BRACKET PPC RAL 7022		
10	ALUMINIUM SHEET/PROFILE BLACK ANODISED		
GALVANIZED STEEL COMPONENTS			
11	HOT DIPPED GALVANIZED STEEL CAST-IN CHANNEL		
12	HOT DIPPED GALVANIZED STEEL BRACKET/REINFORCEMENT		
13	GALVANIZED STEEL SHEET RAL 7022		
14	HOT DIPPED GALVANIZED AND PAINTED STEEL		
15	GALVANIZED STEEL SHEET		
16	HOT DIPPED GALVANIZED FIXING		
STAINLESS STEEL COMPONENTS			
21	STAINLESS STEEL BRACKET AISI 316		
22	STAINLESS STEEL ROD AISI 316		
23	STAINLESS STEEL		
24	STAINLESS STEEL BRACKET AISI 304		
25	STAINLESS STEEL FIXING SCREW		
26	STAINLESS STEEL FIXING SCREW ACID ETCHED (BLACK)		
EPDM / SILICONE COMPONENTS			
31	BLACK EPDM GASKET		
32	BLACK SILICONE		
33	BLACK STRUCTURAL SILICONE		
34	BLACK EPDM MEMBRANE		
35	EPDM COMPATIBLE WITH STRUCTURAL SILICONE		
GLASS TYPES			
41	GL-1 DGU VISION GLASS CLADDING TYPE 1-2 (SEE GLASS TYPE SCHEDULE)		
42	GL-2 SGU SPANDREL GLASS CLADDING TYPE 1 (SEE GLASS TYPE SCHEDULE)		
44	GL-4 DGU SPANDREL GLASS CLADDING TYPE 2 (SEE GLASS TYPE SCHEDULE)		
45	GL-5 SGU BALUSTRADE GLASS CLADDING TYPE 1-2 (SEE GLASS TYPE SCHEDULE)		
46	GL-6 DGU VISION GLASS CLADDING TYPE 4A-4B-4C (SEE GLASS TYPE SCHEDULE)		
50	GL-10 DGU VISION GLASS CLADDING TYPE 7 (SEE GLASS TYPE SCHEDULE)		
52	GL-10A DGU VISION GLASS CLADDING TYPE 7 (SEE GLASS TYPE SCHEDULE)		
VARIOUS MATERIAL			
61	MINERAL WOOL		
62	FIRE AND AIR SEAL BARRIER		
64	PLASTIC SHIM / THERMAL BREAK		
65	ALU FIXINGS		
71	ELECTRIC CHAIN ACTUATOR		
81	INSECT MESH		
98	INTERNAL CEILING AND FINISH FLOOR BY OTHERS		
99	VARIOUS BY OTHERS		



Title: **HORIZONTAL DETAIL**
TYPE 4A

Project: King's Cross - T2/T3
London

Architect: Bennetts Associates

Client: BAMC

Package: FOCCHI

