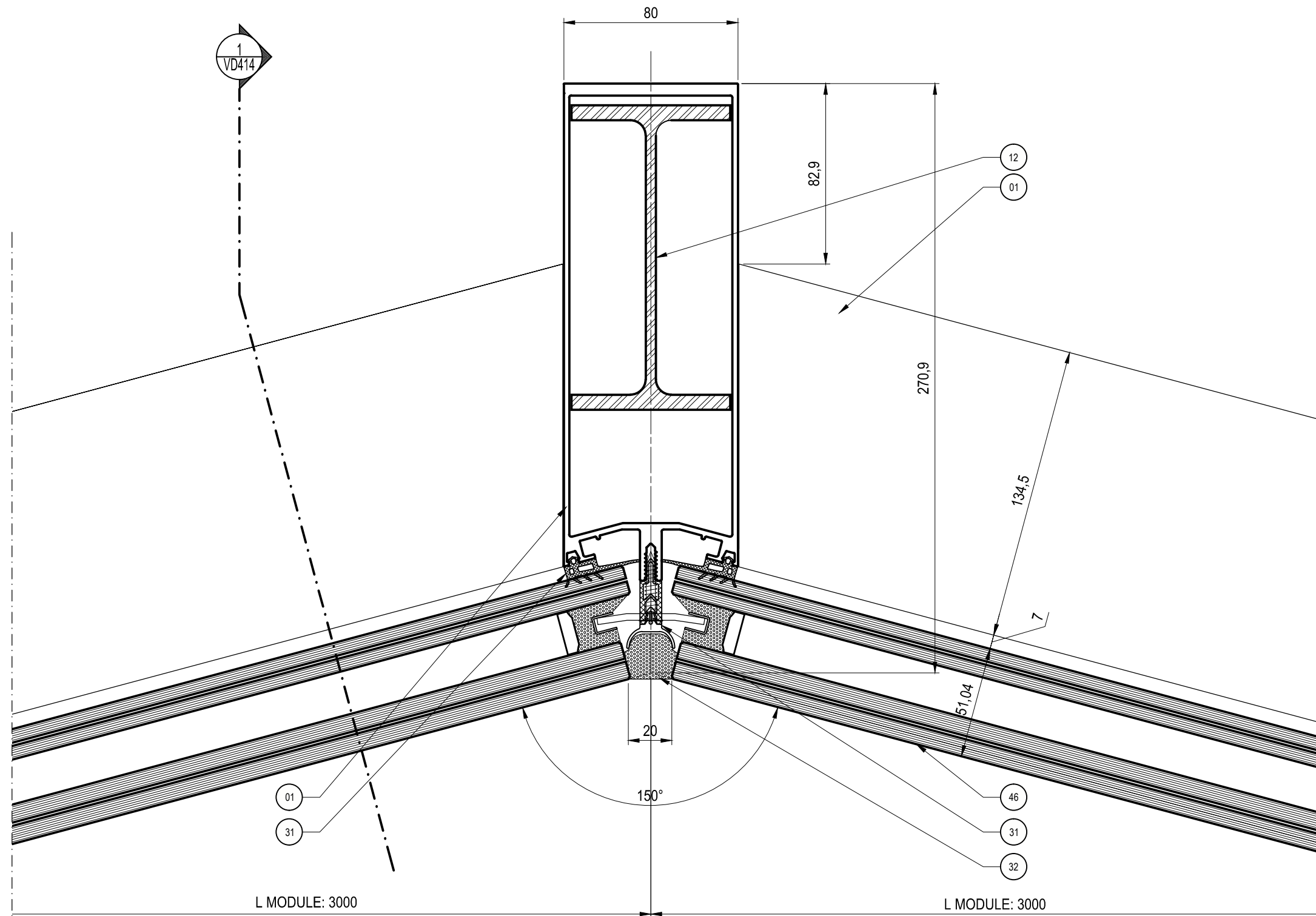
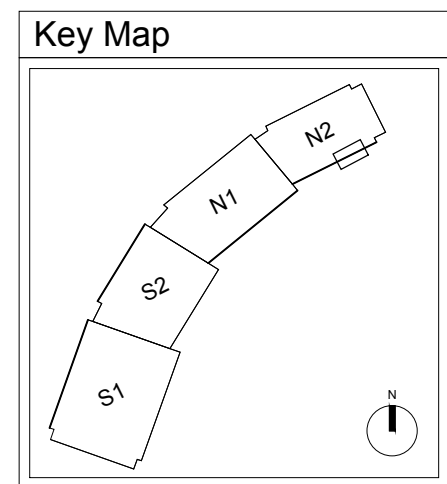


1
HD401

1
VD414



MATERIAL KEY LIST		Issue:	1-13
ALUMINIUM COMPONENTS			
01	ALUMINIUM PROFILE PPC RAL 7022	Job:	160070
02	ALUMINIUM PROFILE BRONZE ANODISED	Issued for:	INFORMATION
03	ALUMINIUM SHEET/PROFILE NATURAL ANODISED	Scale:	1:2 @ A3
04	ALUMINIUM BRACKETS MILL FINISH	File:	KXC-T2-001-FOC-21-HD401
05	ALUMINIUM SHEET BRONZE ANODISED	Drawn by:	M. BIANCHI
06	PERFORATED ALUMINIUM SHEET BRONZE ANODISED	Date:	29-08-2016
07	ALUMINIUM SHEET PPC RAL 7022	Rev:	00
08	ALUMINIUM BRACKETS BRONZE ANODISED	Rev:	01
09	ALUMINIUM BRACKET PPC RAL 7022	Project:	King's Cross - T2/T3 London
10	ALUMINIUM SHEET/PROFILE BLACK ANODISED	Architect:	Bennetts Associates
GALVANIZED STEEL COMPONENTS			
11	HOT DIPPED GALVANIZED STEEL CAST-IN CHANNEL	Client:	BAMC
12	HOT DIPPED GALVANIZED STEEL BRACKET/REINFORCEMENT	Package:	FOCCHI
13	GALVANIZED STEEL SHEET RAL 7022		
14	HOT DIPPED GALVANIZED AND PAINTED STEEL		
15	GALVANIZED STEEL SHEET		
16	HOT DIPPED GALVANIZED FIXING		
STAINLESS STEEL COMPONENTS			
21	STAINLESS STEEL BRACKET AISI 316		
22	STAINLESS STEEL ROD AISI 316		
23	STAINLESS STEEL		
24	STAINLESS STEEL BRACKET AISI 304		
25	STAINLESS STEEL FIXING SCREW		
26	STAINLESS STEEL FIXING SCREW ACID ETCHED (BLACK)		
EPDM / SILICONE COMPONENTS			
31	BLACK EPDM GASKET		
32	BLACK SILICONE		
33	BLACK STRUCTURAL SILICONE		
34	BLACK EPDM MEMBRANE		
35	EPDM COMPATIBLE WITH STRUCTURAL SILICONE		
GLASS TYPES			
41	GL-1 DGU VISION GLASS CLADDING TYPE 1-2 (SEE GLASS TYPE SCHEDULE)		
42	GL-2 SGU SPANDREL GLASS CLADDING TYPE 1 (SEE GLASS TYPE SCHEDULE)		
44	GL-4 DGU SPANDREL GLASS CLADDING TYPE 2 (SEE GLASS TYPE SCHEDULE)		
45	GL-5 SGU BALUSTRADE GLASS CLADDING TYPE 1-2 (SEE GLASS TYPE SCHEDULE)		
46	GL-6 DGU VISION GLASS CLADDING TYPE 4A-4B-4C (SEE GLASS TYPE SCHEDULE)		
50	GL-10 DGU VISION GLASS CLADDING TYPE 7 (SEE GLASS TYPE SCHEDULE)		
52	GL-10A DGU VISION GLASS CLADDING TYPE 7 (SEE GLASS TYPE SCHEDULE)		
VARIOUS MATERIAL			
61	MINERAL WOOL		
62	FIRE AND AIR SEAL BARRIER		
64	PLASTIC SHIM / THERMAL BREAK		
65	ALU FIXINGS		
71	ELECTRIC CHAIN ACTUATOR		
81	INSECT MESH		
98	INTERNAL CEILING AND FINISH FLOOR BY OTHERS		
99	VARIOUS BY OTHERS		



HORIZONTAL DETAIL
TYPE 4A



Rev.: 01