

Technical Submittal - UCLH P5 33695



© Mace Ltd Classification & Handling Status: Restricted / Confidential / Unrestricted *delete as appropriate*

Package Number:	6000
Package Name:	Mechanical & Electrical
Company Name:	Dornan Engineering
Sub Contractor manager:	James Ryan
File Name:	P5-DES-001-ZZ-TS-E-0006
Document Title:	Type E & E2 Luminaire
Purpose of Issue:	See Conject for current purpose of issue.

Status by Lead Reviewer:	<i>See Conject for current status</i>
---------------------------------	--

Version History			
Revision No.	Date Issued	Prepared By	Status
P01	06/07/17	Tony McMeiken	For Approval
C01	05/12/17	Tony McMeiken	For Construction
C02	17/08/18	Peter Hefta	For Construction

Design Information and Technical Data used to prepare submittal																						
Equipment Data Sheets / Schedules :	<ul style="list-style-type: none"> • P5-ARP-Z0-SP-Z-0011 (Appendix 2 Luminaire Schedule) • • 																					
Particular Specification:	<ul style="list-style-type: none"> • P5-ARP-Z0-SP-Z-0004_iss2_revT02 • • 																					
Materials & Workmanship:	<ul style="list-style-type: none"> • • • 																					
Drawings:	<table border="0"> <tr> <td>P5-DES-001-00-DR-E-1003</td> <td>P5-DES-001-03-DR-E-1004</td> <td>P5-DES-001-B1-DR-E-1003</td> </tr> <tr> <td>P5-DES-001-00-DR-E-1004</td> <td>P5-DES-001-04-DR-E-1003</td> <td>P5-DES-001-B1-DR-E-1004</td> </tr> <tr> <td>P5-DES-001-01-DR-E-1003</td> <td>P5-DES-001-04-DR-E-1004</td> <td>P5-DES-001-B2-DR-E-1003</td> </tr> <tr> <td>P5-DES-001-01-DR-E-1004</td> <td>P5-DES-001-05-DR-E-1003</td> <td>P5-DES-001-B2-DR-E-1004</td> </tr> <tr> <td>P5-DES-001-02-DR-E-1003</td> <td>P5-DES-001-05-DR-E-1004</td> <td>P5-DES-001-B3-DR-E-1003</td> </tr> <tr> <td>P5-DES-001-02-DR-E-1004</td> <td>P5-DES-001-R6-DR-E-1003</td> <td>P5-DES-001-B3-DR-E-1004</td> </tr> <tr> <td>P5-DES-001-03-DR-E-1003</td> <td>P5-DES-001-R6-DR-E-1004</td> <td></td> </tr> </table>	P5-DES-001-00-DR-E-1003	P5-DES-001-03-DR-E-1004	P5-DES-001-B1-DR-E-1003	P5-DES-001-00-DR-E-1004	P5-DES-001-04-DR-E-1003	P5-DES-001-B1-DR-E-1004	P5-DES-001-01-DR-E-1003	P5-DES-001-04-DR-E-1004	P5-DES-001-B2-DR-E-1003	P5-DES-001-01-DR-E-1004	P5-DES-001-05-DR-E-1003	P5-DES-001-B2-DR-E-1004	P5-DES-001-02-DR-E-1003	P5-DES-001-05-DR-E-1004	P5-DES-001-B3-DR-E-1003	P5-DES-001-02-DR-E-1004	P5-DES-001-R6-DR-E-1003	P5-DES-001-B3-DR-E-1004	P5-DES-001-03-DR-E-1003	P5-DES-001-R6-DR-E-1004	
P5-DES-001-00-DR-E-1003	P5-DES-001-03-DR-E-1004	P5-DES-001-B1-DR-E-1003																				
P5-DES-001-00-DR-E-1004	P5-DES-001-04-DR-E-1003	P5-DES-001-B1-DR-E-1004																				
P5-DES-001-01-DR-E-1003	P5-DES-001-04-DR-E-1004	P5-DES-001-B2-DR-E-1003																				
P5-DES-001-01-DR-E-1004	P5-DES-001-05-DR-E-1003	P5-DES-001-B2-DR-E-1004																				
P5-DES-001-02-DR-E-1003	P5-DES-001-05-DR-E-1004	P5-DES-001-B3-DR-E-1003																				
P5-DES-001-02-DR-E-1004	P5-DES-001-R6-DR-E-1003	P5-DES-001-B3-DR-E-1004																				
P5-DES-001-03-DR-E-1003	P5-DES-001-R6-DR-E-1004																					
Schematics/Diagrammatic:	<ul style="list-style-type: none"> • • 																					
Supplementary Specs:	<ul style="list-style-type: none"> • • • 																					

Attachments *(Tick as appropriate)*

- Catalogue Details
- Design Check Calculations
- Manufacturing Drawings
- Wiring/Control Diagrams
- Sample List
- BWIC requirements
- Assembly / installation details
- O&M instructions
- List of recommended spares
- Interface and coordination with other packages
- FAT / SAT Test Requirements
- Description of Operation

Specification Compliance Statement

Technical Submission fully compliant

Y	
---	--

If no then proposed deviations are:

Specification Requirement	Proposed Deviation

1) ARUP Data Sheets

Please refer to next page

Job Title: UCLH Phase 5

Date: 22/01/2015

Job Number: 232426-00

Purpose of Issue: Tender

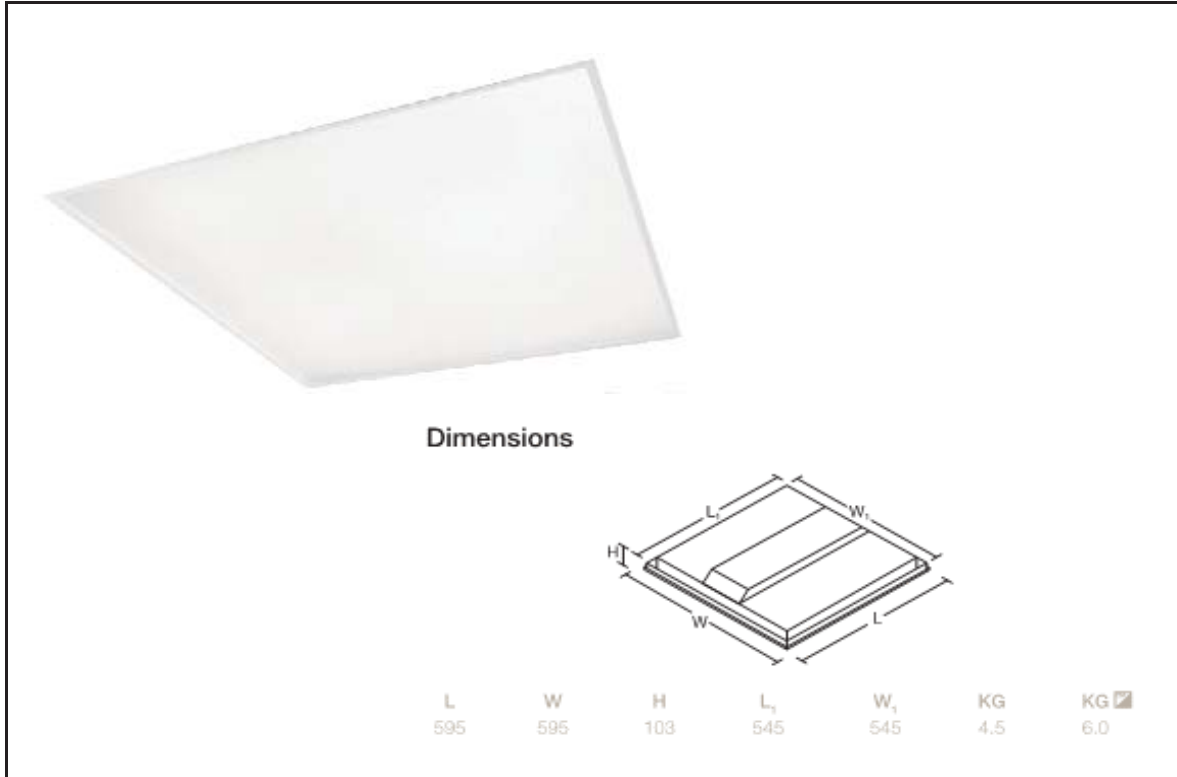
Revision: T01

Luminaire Reference: TYPE E

General Description

Recessed LED 600x600mm luminaire with slim line steel body and hexaprism optic for Utility rooms

General Appearance



Luminaire

Manufacturer	Whitecroft
Manufacturing standard	BS EN 60598
Catalogue number	Tegan - TEHDY14K
Finish	-
EMC	BS EN 55015

Light Source

Type	LED
Wattage	29W
Designation	3100lm
Colour / Beam	4000K - Ra min 80

Control Gear / Transformer

Type	DALI 220-240 Vac
Dimmable	No
Location (Remote/Integral)	Integral

Accessories

Lens	Hexaprism Optic
Baffle	N/a
Other	IP 44

Location

Clean / Dirty Utility

Equipment supplied to be as specified or equal approved

Additional Information

1. All products to have a wipeable smooth clean surface. No screw heads or slots will be allowed.

2.

3.

4.

2) Catalogue Details

Please refer to next page

Tegan Slim Recessed Opal



Project reference:

E

Part number:

TAELY24KXT
TESPBF

Product description:

IP44 recessed modular LED 596mm x 596mm panel luminaire with slim line steel body and an Opal diffuser for general, circulation and feature areas giving a wipeable smooth clean surface. Suitable for lay in exposed 'T' ceilings and plasterboard when used with plasterboard frame – as Whitecroft Lighting TEGAN SLIM RECESSED



** CEILING SPECIFICATION STATES A TYPE 'C' WHICH IS A DUNE SUPREME 2271 M - THIS IS A MICROLOOK WITH PRELUDE 15 SO THE LUMINAIRE SITS LEVEL AND ON THE 'T' BAR AS THE SPECIFIED LUMINAIRE IS NOT TEGULAR **

Light source

Light source:

LED 3500 lumen

Colour temperature:

4000K

Colour render index:

>80

Colour consistency:

MacAdam 3 SDCM

Control gear:

Remote DALI dimmable
Driver

Integral control:

N/A

Luminaire performance

LL/CW:

131

Circuit watts:

27W

Light output ratio:

100.00%

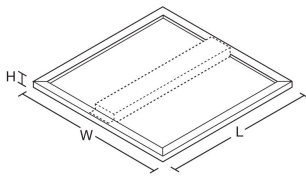
Emergency

N/A

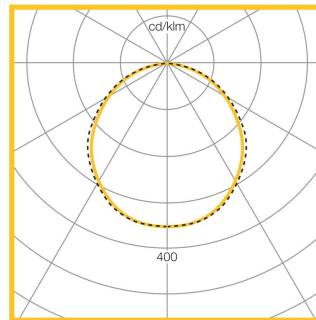
Finish

White RAL 9003

Dimensions & Weight



Polar Curve (Indicative Only)



L	W	H	H1	KG	KG(EM)
596	596	27	52	4.2	5.5

Tegan Slim Recessed Opal



Project reference:

E2

Part number:

TAELY34KXT
TESPBF

Product description:

IP44 recessed modular LED 596mm x 596mm panel luminaire with slim line steel body and an Opal diffuser for general, circulation and feature areas giving a wipeable smooth clean surface. Suitable for lay in exposed 'T' ceilings and plasterboard ceiling when used with plasterboard frame – as Whitecroft Lighting TEGAN SLIM RECESSED



** CEILING SPECIFICATION STATES A TYPE 'C' WHICH IS A DUNE SUPREME 2271 M - THIS IS A MICROLOOK WITH PRELUDE 15 SO OUR LUMINAIRE SITs LEVEL AND ON THE 'T' BAR AS THE SPECIFIED LUMINAIRE IS NOT TEGULAR **

Light source

Light source:

LED, 5100 lumen

Colour temperature:

4000K

Colour render index:

>80

Colour consistency:

MacAdam 3 SDCM

Control gear:

Remote DALI dimmable driver

Integral control:

N/A

Luminaire performance

LL/CW:

127

Circuit watts:

40W

Light output ratio:

100.00%

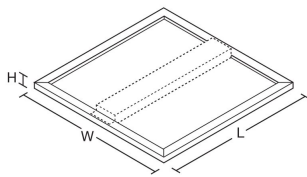
Emergency

N/A

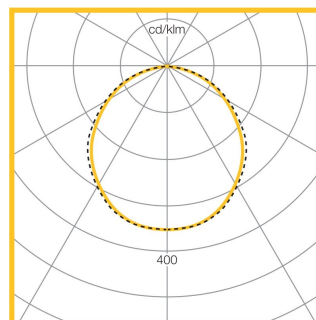
Finish

White RAL 9003

Dimensions & Weight



Polar Curve (Indicative Only)



L	W	H	H1	KG	KG(EM)
596	596	27	52	4.2	5.5