

# Technical Submittal - UCLH P5 33695



© Mace Ltd Classification & Handling Status: Restricted / Confidential / Unrestricted *delete as appropriate*

<b>Package Number:</b>	6000
<b>Package Name:</b>	Mechanical & Electrical
<b>Company Name:</b>	Dornan Engineering
<b>Sub Contractor manager:</b>	James Ryan
<b>File Name:</b>	P5-DES-001-ZZ-TS-E-0021
<b>Document Title:</b>	Type V1, V2, V3 Luminaires
<b>Purpose of Issue:</b>	See Conject for current purpose of issue.

<b>Status by Lead Reviewer:</b>	<b><i>See Conject for current status</i></b>
---------------------------------	--

<b>Version History</b>			
Revision No.	Date Issued	Prepared By	Status
P01	13/11/17	Tony McMeiken	For Approval
C01	05/10/18	Kevin Walsh	For Construction

<b>Design Information and Technical Data used to prepare submittal</b>	
Equipment Data Sheets / Schedules :	<ul style="list-style-type: none"> <li>• P5-ARP-Z0-SP-Z-0011 (Appendix 2 Luminaire Schedule)</li> <li>•</li> <li>•</li> </ul>
Particular Specification:	<ul style="list-style-type: none"> <li>• P5-ARP-Z0-SP-Z-0004_iss2_revT02</li> <li>•</li> <li>•</li> </ul>
Materials & Workmanship:	<ul style="list-style-type: none"> <li>•</li> <li>•</li> <li>•</li> </ul>
Drawings:	<ul style="list-style-type: none"> <li>•</li> <li>•</li> <li>•</li> </ul>
Schematics/Diagrammatic:	<ul style="list-style-type: none"> <li>•</li> <li>•</li> <li>•</li> </ul>
Supplementary Specs:	<ul style="list-style-type: none"> <li>•</li> <li>•</li> <li>•</li> </ul>

## Attachments *(Tick as appropriate)*

- Catalogue Details
- Design Check Calculations
- Manufacturing Drawings
- Wiring/Control Diagrams
- Sample List
- BWIC requirements
- Assembly / installation details
- O&M instructions
- List of recommended spares
- Interface and coordination with other packages
- FAT / SAT Test Requirements
- Description of Operation

Specification Compliance Statement	
<p>Technical Submission fully compliant <span style="float: right; border: 1px solid black; padding: 2px 10px;">N</span></p> <p>If no then proposed deviations are:</p>	
Specification Requirement	Proposed Deviation
<p>The specified Type V Luminaires are Sattler Circolo.</p>	<p>Lightnet Ringo-Star G1 offered for the Type V Luminaires in line with VE Item M4.</p>

1) ARUP SDS

Please refer to next page

Job Title: UCLH Phase 5

Date: 22/01/2015

Job Number: 232426-00

Purpose of Issue: Tender

Revision: T01

**Luminaire Reference: TYPE V1**

## General Description

1600mm diameter x 107mmH circular aluminum profile with opal acrylic glass diffusor

## General Appearance



### Luminaire

Manufacturer	Sattler
Manufacturing standard	BS EN 60598
Catalogue number	Circolo
Finish	Circular aluminum
EMC	BS EN 55015

### Light Source

Type	LED
Wattage	98W
Designation	12500lm
Colour / Beam	4000K - Ra min 80

### Control Gear / Transformer

Type	DALI 220-240 Vac
Dimmable	Yes
Location (Remote/Integral)	Remote

### Accessories

Lens	Opal
Baffle	-
Other	-

### Location

Main Waiting
--------------

*Equipment supplied to be as specified or equal approved*

## Additional Information

1. All products to have a wipeable smooth clean surface. No screw heads or slots will be allowed.
2. Acceptance of this light fitting shall be subjected to architect's approval
3. The stated lumen output of the lights is without considering the acrylic cover or reflectors.
- 4.

Job Title: UCLH Phase 5

Date: 22/01/2015

Job Number: 232426-00

Purpose of Issue: Tender

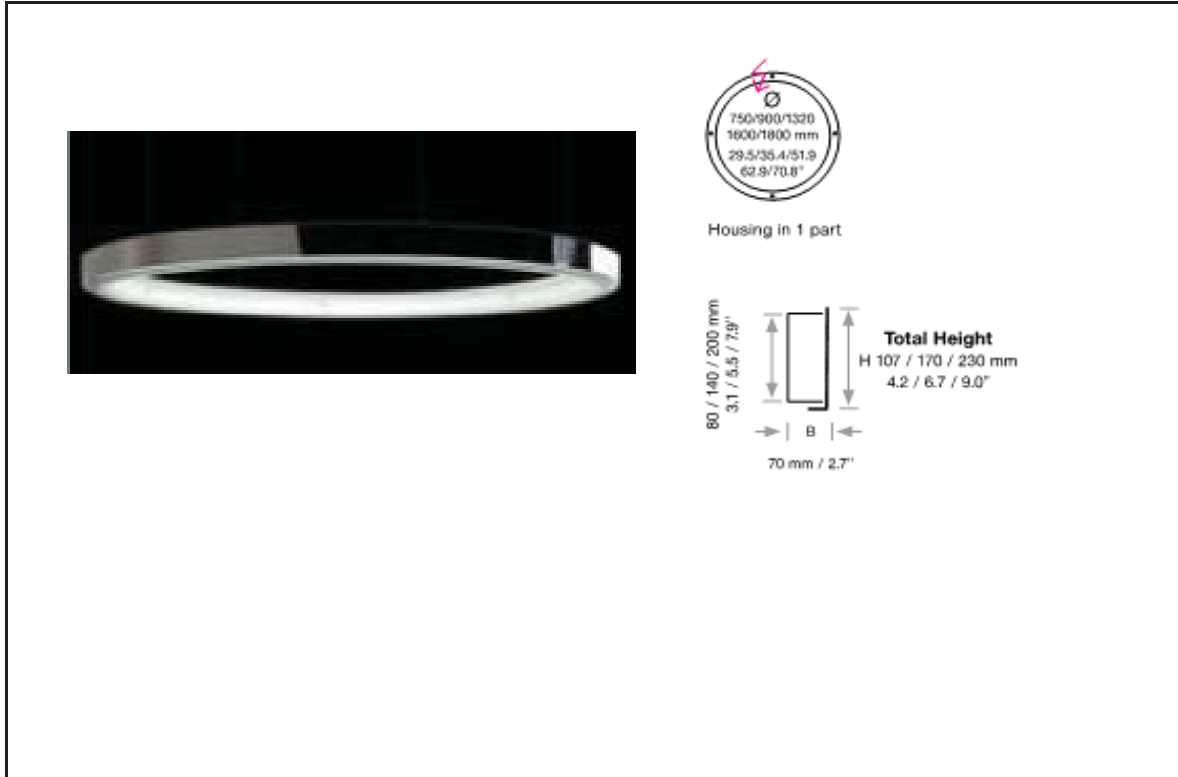
Revision: T01

Luminaire Reference: TYPE V2

## General Description

1800mm diameter x 107mmH circular aluminum profile with opal acrylic glass diffusor

## General Appearance



### Luminaire

Manufacturer	Sattler
Manufacturing standard	BS EN 60598
Catalogue number	Circolo
Finish	Circular aluminum
EMC	BS EN 55015

### Light Source

Type	LED
Wattage	111W
Designation	14100lm
Colour / Beam	4000K - Ra min 80

### Control Gear / Transformer

Type	DALI 220-240 Vac
Dimmable	Yes
Location (Remote/Integral)	Remote

### Accessories

Lens	Opal
Baffle	-
Other	-

### Location

Main Waiting
--------------

*Equipment supplied to be as specified or equal approved*

## Additional Information

1. All products to have a wipeable smooth clean surface. No screw heads or slots will be allowed.
2. Acceptance of this light fitting shall be subjected to architect's approval
3. The stated lumen output of the lights is without considering the acrylic cover or reflectors.
- 4.

Job Title: UCLH Phase 5

Date: 22/01/2015

Job Number: 232426-00

Purpose of Issue: Tender

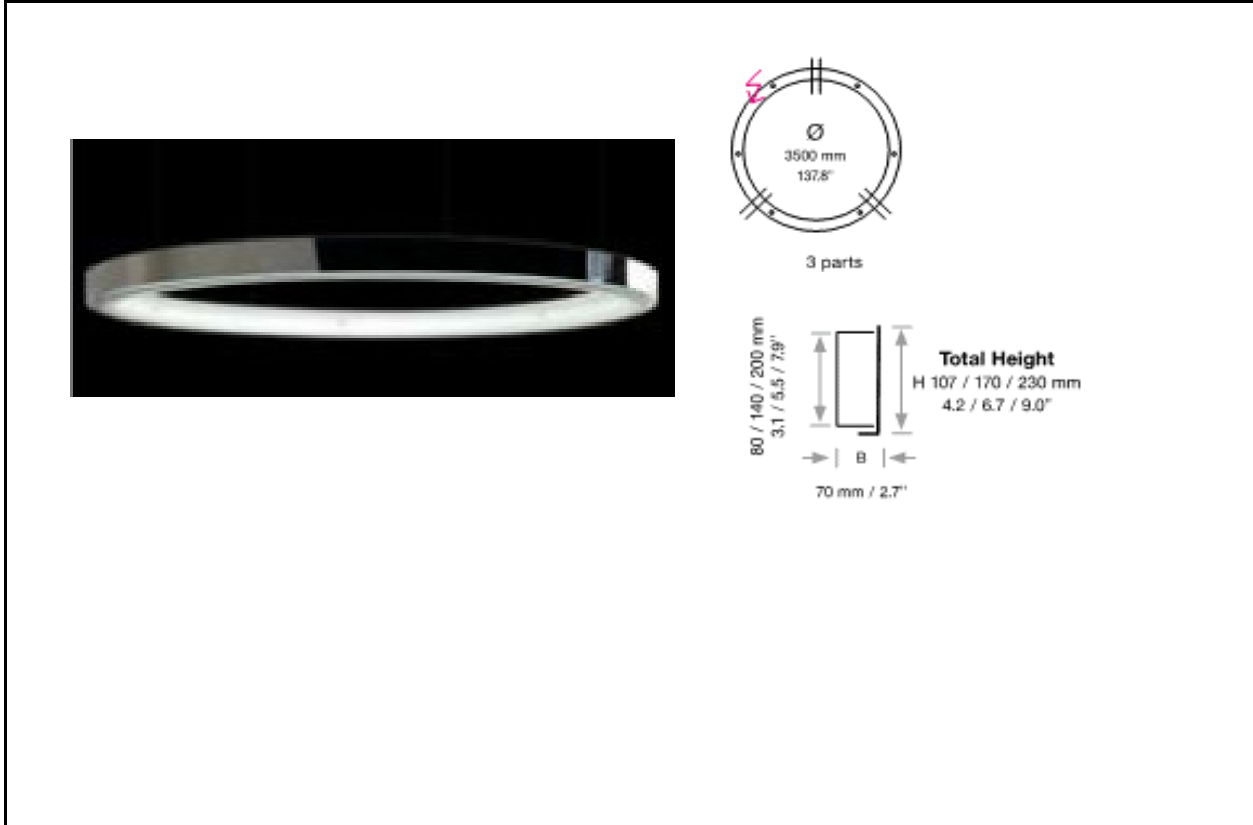
Revision: T01

**Luminaire Reference: TYPE V3**

## General Description

3500mm diameter x 170mmH circular aluminum profile with opal acrylic glass diffusor

## General Appearance



### Luminaire

Manufacturer	Sattler
Manufacturing standard	BS EN 60598
Catalogue number	Circolo
Finish	Circular aluminum
EMC	BS EN 55015

### Light Source

Type	LED
Wattage	215W
Designation	27400lm
Colour / Beam	4000K - Ra min 80

### Control Gear / Transformer

Type	DALI 220-240 Vac
Dimmable	Yes
Location (Remote/Integral)	Remote

### Accessories

Lens	Opal
Baffle	-
Other	-

### Location

Main Waiting
--------------

*Equipment supplied to be as specified or equal approved*

## Additional Information

- All products to have a wipeable smooth clean surface. No screw heads or slots will be allowed.
- Acceptance of this light fitting shall be subjected to architect's approval
- The stated lumen output of the lights is without considering the acrylic cover or reflectors.
-



## 2) Catalogue Details

# RINGO STAR-P1/G1



## DE

LED-Pendelleuchte, direkt-indirekt (-P1) oder rein direktstrahlend (-G1). Microprismenoptik aus Spezialacrylglas, alternativ Opaldiffusor aus satiniertem Acrylglas mit perfekt homogener Auflösung der Lichtpunkte.

Leuchtenkörper aus Aluminium-Strangpress-Profil. Oberfläche in Strukturlack matt weiß (RAL9003) oder matt silber (RAL9006). Optional weitere Farben und Oberflächen (s. Oberflächenübersicht). Diffusor bis D1500 mm in einem Stück.

Zwei Lichtkammern (-P1) wahlweise getrennt schaltbar oder zusammen dimmbar (1-10V, DALI, Touch-Dim). Optional getrennt dimmbar via DALI bzw. Touch-dim. Werkseitige Konverterprogrammierung ermöglicht unterschiedliche Lichtstromoptionen.

Standard LED-Farbtemperatur 2700K, 3000K und 4000K. Auf Wunsch 2200K, 3500K, 5000K, 6500K oder Ausführung RGB/W. Enge Farbtoleranz MacAdam 3. Farbwiedergabe  $Ra \geq 80$ , auf Anfrage  $Ra > 90$  möglich.

Stufenlos höhenverstellbare Seilabhangung wahlweise zur Zentral- oder Parallelmontage mit Baldachin in Leuchtenfarbe lackiert. Zentralabhangung nur bis max. D2000 mm moglich.

## EN

LED pendant luminaire with direct-indirect (-P1) or direct only (-G1) light distribution. Microprismatic screen for glare-free illumination, optional opal diffuser for enhanced light transmission and perfect uniform illumination.

Luminaire body made of aluminium-profile. Matt white (RAL9003) or matt silver (RAL9006) powder-coated. On request extensive range of alternative colours and surfaces (see overview). Diffuser up to D'1500 mm without visible seam.

Two light-chambers (-P1) separately switched or together dimmed (1-10V, DALI, Touch-Dim). Optional: separately dimmed via DALI / Touch-Dim. Factory-set drivers enable different output levels.

Standard LED colour temperature 2700K, 3000K and 4000K. On request 2200K, 3500K, 5000K, 6500K. RGB/W version possible. MacAdam 3 step binning. Colour rendering  $CRI \geq 80$ ,  $CRI > 90$  on request.

Height adjustable cord suspension optionally for central or parallel installation with transparent power supply cable and ceiling rose matching luminaire's colour. Central suspension only possible up to max. D'2000 mm.

## FR

Luminaire LED suspendu, clairage direct et indirect (-P1) ou seulement direct (-G1). Diffuseur micro-prismatique en verre acrylique, en option: diffuseur opale en verre acrylique satin avec une diffusion homogene des points lumineux.

Corps du luminaire en aluminium extrud. Surface laquee en blanc mat (RAL9003) ou gris mat (RAL9006). Couleurs et surfaces supplementaires en option (voir annexe). Diffuseur en une pie jusqu' un diamtre de 1500mm.

Deux compartiments lumineux (-P1) commutable separement ou graduable en combin (1-10V, DALI, Touch-Dim). En Option: graduable separement via systeme DALI / Touch DIM. Programmation en usine offrant differentes options de flux lumineux.

Temperature de couleur LED standard 2700K, 3000K ou 4000K. Sur demande: 2200K, 3500K, 5000K, 6500K ou version RGBW (MacAdam 3). Rendu de couleur  $IRC \geq 80$ , sur demande  $IRC > 90$ .

Suspension reglable en hauteur pour un montage central ou parallele avec patere saillie laquee de la couleur du luminaire. Montage central possible seulement jusqu' un diamtre de 2000mm.

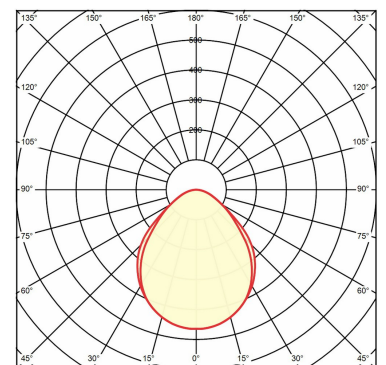
## Ringo Star-GI- Type V1 Luminaire

Pendant luminaire - Direct light distribution



Ringo Star-GI. LED. Pendant luminaire. Direct only light distribution. Opal diffuser for enhanced light transmission and perfect uniform illumination. Surface finish: Silver (RAL9006). Dimmable DALI (5-core). LED Medium-Power. Colour temperature: 4000K (Cool White). Colour

Rendering Index (CRI): >80. DxH (round LED). D=1500mm. W=100mm. H=75mm. 12786lm. 142W. Cord suspension for parallel installation (Set) with transparent power-supply cable. Pendant length max 4000mm. Ceiling rose: Silver. 21,6kg. IP20



Date: 17.09.2018

Article code: RGIOSL-840M-DI500-KS

# Ringo Star-G1- Type V1 Luminaire

Pendant luminaire - Direct light distribution

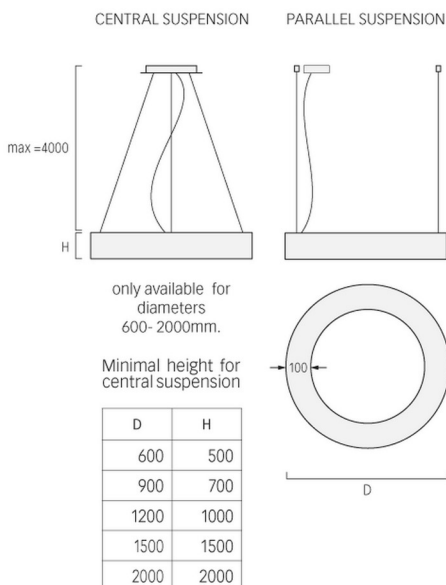


Customer / Project: \_\_\_\_\_

Note: \_\_\_\_\_  
 \_\_\_\_\_

Productname	Ringo Star-G1
Lamp	LED
Installation Type	Pendant luminaire
Light characteristics	Direct light distribution
Optical system	Opal diffuser
Surface finish	Silver (RAL9006)
Control	Dimmable (DALI)
Colour Rendering Index (CRI)	CRI>80
Colour temperature	4000K
Current/Power	LED Medium-Power
Form	DxH (round LED)
Length L/Diameter D (mm)	D=1500
Width W (mm)	W=100
Height H (mm)	H=75
Luminous Flux	12786lm

Watt	142W
Weight (kg)	21,6kg
Suspension	Parallel susp. (Set)
Ceiling rose colour	Ceiling rose: Silver
Pendant length (mm)	Pendant length max 4000mm
Degree of protection	IP20



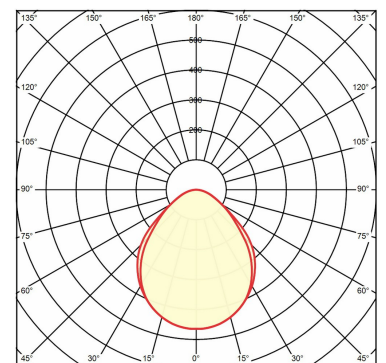
## Ringo Star-G1 - Type V2 Luminaire

Pendant luminaire - Direct light distribution



Ringo Star-G1. LED. Pendant luminaire. Direct only light distribution. Opal diffuser for enhanced light transmission and perfect uniform illumination. Surface finish: Silver (RAL9006). Dimmable DALI (5-core). LED Medium-Power. Colour temperature: 4000K (Cool White). Colour

Rendering Index (CRI): >80. DxH (round LED). D=2000mm. W=100mm. H=75mm. 17047lm. 188W. Cord suspension for parallel installation (Set) with transparent power-supply cable. Pendant length max 4000mm. Ceiling rose: Silver. 23kg. IP20



Date: 17.09.2018

Article code: RGIOSL-840M-D2000-KS

# Ringo Star-G1 - Type V2 Luminaire

Pendant luminaire - Direct light distribution



Customer / Project: \_\_\_\_\_

Note: \_\_\_\_\_  
 \_\_\_\_\_

Productname	Ringo Star-G1
Lamp	LED
Installation Type	Pendant luminaire
Light characteristics	Direct light distribution
Optical system	Opal diffuser
Surface finish	Silver (RAL9006)
Control	Dimmable (DALI)
Colour Rendering Index (CRI)	CRI > 80
Colour temperature	4000K
Current/Power	LED Medium-Power
Form	DxH (round LED)
Length L/Diameter D (mm)	D=2000
Width W (mm)	W=100
Height H (mm)	H=75
Luminous Flux	17047lm

Watt	188W
Weight (kg)	23kg
Suspension	Parallel susp. (Set)
Ceiling rose colour	Ceiling rose: Silver
Pendant length (mm)	Pendant length max 4000mm
Degree of protection	IP20

