

# Technical Submittal - UCLH P5 33695



© Mace Ltd Classification & Handling Status: Restricted / Confidential / Unrestricted *delete as appropriate*

<b>Package Number:</b>	6000
<b>Package Name:</b>	Mechanical & Electrical
<b>Company Name:</b>	Dornan Engineering
<b>Sub Contractor manager:</b>	James Ryan
<b>File Name:</b>	P5-DES-001-ZZ-TS-E-0016
<b>Document Title:</b>	Type Q1, Q1E Luminaires
<b>Purpose of Issue:</b>	See Conject for current purpose of issue.

<b>Status by Lead Reviewer:</b>	<b><i>See Conject for current status</i></b>
---------------------------------	--

<b>Version History</b>			
Revision No.	Date Issued	Prepared By	Status
P01	06/09/17	Tony McMeiken	For Approval
C01	30/11/17	Tony McMeiken	For Construction
C02	17/08/18	Peter Hefta	For Construction

Design Information and Technical Data used to prepare submittal																						
Equipment Data Sheets / Schedules :	<ul style="list-style-type: none"> <li>• P5-ARP-Z0-SP-Z-0011 (Appendix 2 Luminaire Schedule)</li> <li>•</li> <li>•</li> </ul>																					
Particular Specification:	<ul style="list-style-type: none"> <li>• P5-ARP-Z0-SP-Z-0004_iss2_revT02</li> <li>•</li> <li>•</li> </ul>																					
Materials & Workmanship:	<ul style="list-style-type: none"> <li>•</li> <li>•</li> <li>•</li> </ul>																					
Drawings:	<table border="0"> <tr> <td>P5-DES-001-00-DR-E-1003</td> <td>P5-DES-001-03-DR-E-1004</td> <td>P5-DES-001-B1-DR-E-1003</td> </tr> <tr> <td>P5-DES-001-00-DR-E-1004</td> <td>P5-DES-001-04-DR-E-1003</td> <td>P5-DES-001-B1-DR-E-1004</td> </tr> <tr> <td>P5-DES-001-01-DR-E-1003</td> <td>P5-DES-001-04-DR-E-1004</td> <td>P5-DES-001-B2-DR-E-1003</td> </tr> <tr> <td>P5-DES-001-01-DR-E-1004</td> <td>P5-DES-001-05-DR-E-1003</td> <td>P5-DES-001-B2-DR-E-1004</td> </tr> <tr> <td>P5-DES-001-02-DR-E-1003</td> <td>P5-DES-001-05-DR-E-1004</td> <td>P5-DES-001-B3-DR-E-1003</td> </tr> <tr> <td>P5-DES-001-02-DR-E-1004</td> <td>P5-DES-001-R6-DR-E-1003</td> <td>P5-DES-001-B3-DR-E-1004</td> </tr> <tr> <td>P5-DES-001-03-DR-E-1003</td> <td>P5-DES-001-R6-DR-E-1004</td> <td></td> </tr> </table>	P5-DES-001-00-DR-E-1003	P5-DES-001-03-DR-E-1004	P5-DES-001-B1-DR-E-1003	P5-DES-001-00-DR-E-1004	P5-DES-001-04-DR-E-1003	P5-DES-001-B1-DR-E-1004	P5-DES-001-01-DR-E-1003	P5-DES-001-04-DR-E-1004	P5-DES-001-B2-DR-E-1003	P5-DES-001-01-DR-E-1004	P5-DES-001-05-DR-E-1003	P5-DES-001-B2-DR-E-1004	P5-DES-001-02-DR-E-1003	P5-DES-001-05-DR-E-1004	P5-DES-001-B3-DR-E-1003	P5-DES-001-02-DR-E-1004	P5-DES-001-R6-DR-E-1003	P5-DES-001-B3-DR-E-1004	P5-DES-001-03-DR-E-1003	P5-DES-001-R6-DR-E-1004	
P5-DES-001-00-DR-E-1003	P5-DES-001-03-DR-E-1004	P5-DES-001-B1-DR-E-1003																				
P5-DES-001-00-DR-E-1004	P5-DES-001-04-DR-E-1003	P5-DES-001-B1-DR-E-1004																				
P5-DES-001-01-DR-E-1003	P5-DES-001-04-DR-E-1004	P5-DES-001-B2-DR-E-1003																				
P5-DES-001-01-DR-E-1004	P5-DES-001-05-DR-E-1003	P5-DES-001-B2-DR-E-1004																				
P5-DES-001-02-DR-E-1003	P5-DES-001-05-DR-E-1004	P5-DES-001-B3-DR-E-1003																				
P5-DES-001-02-DR-E-1004	P5-DES-001-R6-DR-E-1003	P5-DES-001-B3-DR-E-1004																				
P5-DES-001-03-DR-E-1003	P5-DES-001-R6-DR-E-1004																					
Schematics/Diagrammatic:	<ul style="list-style-type: none"> <li>•</li> <li>•</li> </ul>																					
Supplementary Specs:	<ul style="list-style-type: none"> <li>•</li> <li>•</li> <li>•</li> </ul>																					

## Attachments *(Tick as appropriate)*

- Catalogue Details
- Design Check Calculations
- Manufacturing Drawings
- Wiring/Control Diagrams
- Sample List
- BWIC requirements
- Assembly / installation details
- O&M instructions
- List of recommended spares
- Interface and coordination with other packages
- FAT / SAT Test Requirements
- Description of Operation

<b>Specification Compliance Statement</b>	
<p>Technical Submission fully compliant <span style="float: right; border: 1px solid black; padding: 2px 10px;">Y</span></p> <p>If no then proposed deviations are:</p>	
<b>Specification Requirement</b>	<b>Proposed Deviation</b>

## 1) ARUP Data Sheets

Please refer to next page

Job Title: UCLH Phase 5

Date: 22/01/2015

Job Number: 232426-00

Purpose of Issue: Tender

Revision: T01


**Luminaire Reference: TYPE Q & QE1**

### General Description

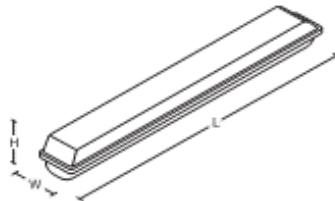
IP65 LED anti-corrosive luminaire with GRP body and high impact polycarbonate injection moulded opal diffuser.

One piece seamless gasket for increase lift and protection

### General Appearance

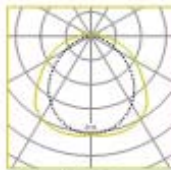


#### Dimensions



L	W	H	KG	KG/m <sup>2</sup>
1275	170	103	5.0	6.0

#### Photometric Performance



33W LED 4000K  
4650 lumens  
\* LDR = 100%  
\* SHR MAX = 1.73

#### Utilisation Factors UF(F)

Room Reflectance			Room Index		
C	W	F	1.00	3.00	5.00
0.70	0.50	0.20	0.66	0.93	1.00

#### Luminaire

Manufacturer	Whitecroft
Manufacturing standard	BS EN 60598
Catalogue number	ACL Park- ACLY34K & ACLY34K/EP
Finish	-
EMC	BS EN 55015

#### Light Source

Type	LED
Wattage	33W
Designation	4650lm
Colour / Beam	4000K - Ra min 80

#### Control Gear / Transformer

Type	DALI 220-240 Vac
Dimmable	No
Location (Remote/Integral)	Integral

#### Accessories

Lens	-
Baffle	-
Other	IP65

#### Location

Plantroom
-----------

*Equipment supplied to be as specified or equal approved*

#### Additional Information

1. 3-hour maintained emergency operation
2. All products to have a wipeable smooth clean surface. No screw heads or slots will be allowed.
- 3.
- 4.

## 2) Catalogue Details

Please refer to next page



**Project reference:**

Q1 and Q1E

**Part number:**

ACY44K  
ACY44KEP

**Product description:**

LED IP66 anti-corrosive luminaire with GRP body with high impact polycarbonate injection moulded opal diffuser. High quality seamless gasket for extreme durability – as Whitecroft Lighting ACL INDUSTRY



**Light source**

**Light source:**

LED, 4600 lumen

**Colour temperature:**

4000K

**Colour render index:**

>80

**Colour consistency:**

MacAdam 3 SDCM

**Control gear:**

Integral DALI dimmable driver

**Integral control:**

N/A

**Luminaire performance**

**LL/CW:**

140.30

**Circuit watts:**

33W

**Light output ratio:**

100.00%

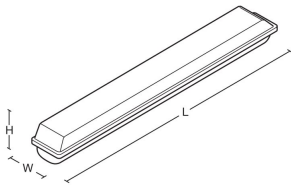
**Emergency**

Integral 3 hour emergency batteries c/w EMPRO Inverter

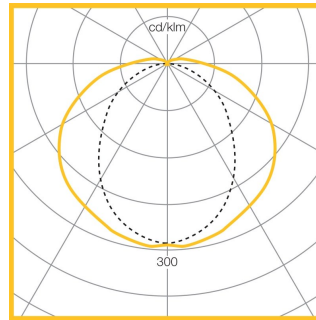
**Finish**

Grey

**Dimensions & Weight**



**Polar Curve (Indicative Only)**



VERSION	L	W	H	KG	KG(EM)	FC
4600 lumen	1282	145	101	2.8	3.3	800





**Project reference:**

Q6 and Q6E

**Part number:**

ACY64K  
ACY64KEP

**Product description:**

LED IP66 anti-corrosive luminaire with GRP body with high impact polycarbonate injection moulded opal diffuser. High quality seamless gasket for extreme durability – as Whitecroft Lighting ACL INDUSTRY



**Light source**

**Light source:**

LED, 6400 lumen

**Colour temperature:**

4000K

**Colour render index:**

>80

**Colour consistency:**

MacAdam 3 SDCM

**Control gear:**

Integral DALI dimmable driver

**Integral control:**

N/A

**Luminaire performance**

**LL/CW:**

133.42

**Circuit watts:**

48W

**Light output ratio:**

100.00%

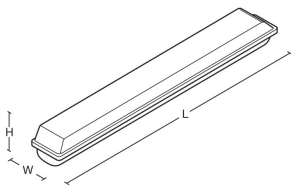
**Emergency**

Integral 3 hour emergency batteries c/w EMPRO Inverter

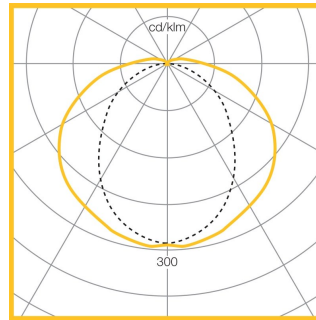
**Finish**

Grey

**Dimensions & Weight**



**Polar Curve (Indicative Only)**



VERSION	L	W	H	KG	KG(EM)	FC
6400 lumen	1282	145	101	2.8	3.3	800