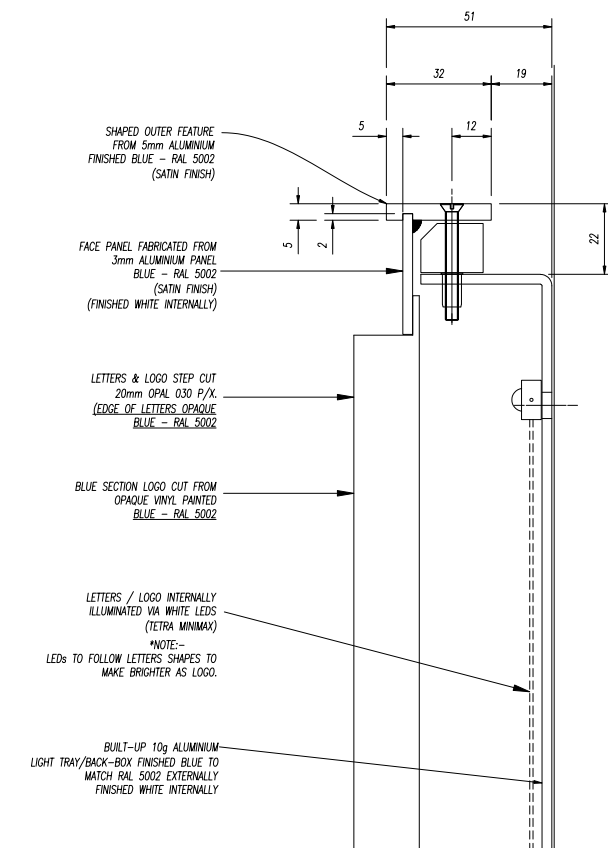


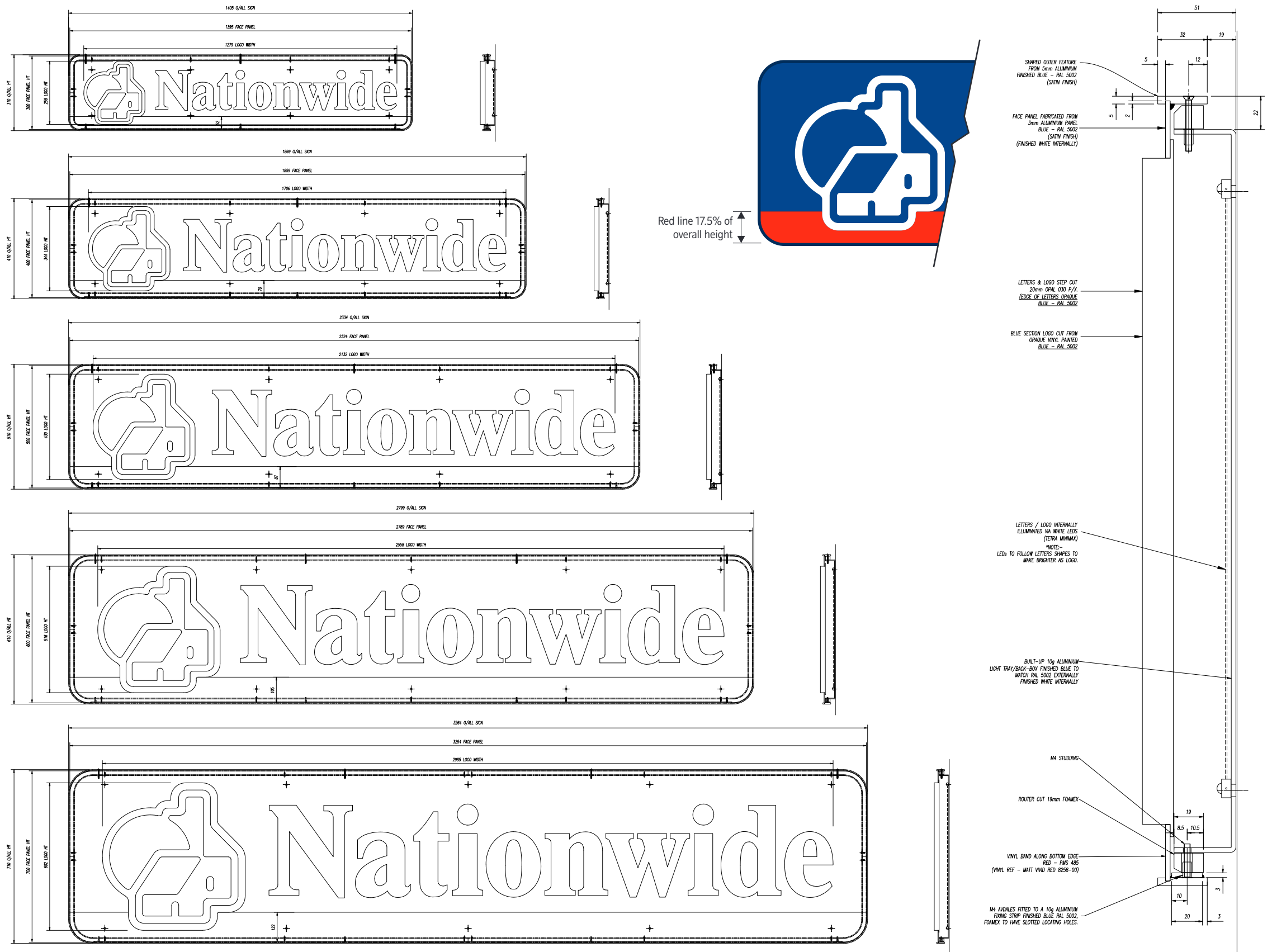
Internally Illuminated Tablet

1. **Internally Illuminated**
2. Illuminated Signage
3. Internally Illuminated Tablet
4. Illuminated Tablet Spec/Sizes
5. 'Building Society' text
6. 'Building Society' Spec/Sizes
7. Internally Illuminated Projecting Sign
8. Illuminated Projecting Sign Spec/Sizes
9. **Non-Illuminated Tablet**
10. Non-Illuminated tablet
11. Non-Illuminated Tablet Spec/Sizes
12. **Heritage**
13. Heritage Flat-Cut Letters
14. Heritage Built-Up Letter
15. Heritage Letters Spec/Sizes
16. Heritage Stacked Layout
17. Heritage Stacked Layout Spec/Sizes
18. Illuminated Heritage Projecting Sign
19. Illuminated Projecting Sign Spec/Sizes
20. Non-Illuminated Heritage Projecting Sign
21. Non-Illuminated Projecting Sign Spec/Sizes
22. **ATM**
23. Illuminated ATM Halo
24. Illuminated ATM
25. Non-Illuminated
26. Halo ATM Tablet
27. Non-Halo Tablet
28. **Tablet & Projecting Sign Principles**



Illuminated Tablet Spec/Sizes

1. **Internally Illuminated**
2. Illuminated Signage
3. Internally Illuminated Tablet
4. Illuminated Tablet Spec/Sizes
5. 'Building Society' text
6. 'Building Society' Spec/Sizes
7. Internally Illuminated Projecting Sign
8. Illuminated Projecting Sign Spec/Sizes
9. **Non-Illuminated Tablet**
10. Non-Illuminated tablet
11. Non-Illuminated Tablet Spec/Sizes
12. **Heritage**
13. Heritage Flat-Cut Letters
14. Heritage Built-Up Letter
15. Heritage Letters Spec/Sizes
16. Heritage Stacked Layout
17. Heritage Stacked Layout Spec/Sizes
18. Illuminated Heritage Projecting Sign
19. Illuminated Projecting Sign Spec/Sizes
20. Non-Illuminated Heritage Projecting Sign
21. Non-Illuminated Projecting Sign Spec/Sizes
22. **ATM**
23. Illuminated ATM Halo
24. Illuminated ATM
25. Non-Illuminated
26. Halo ATM Tablet
27. Non-Halo Tablet
28. **Tablet & Projecting Sign Principles**

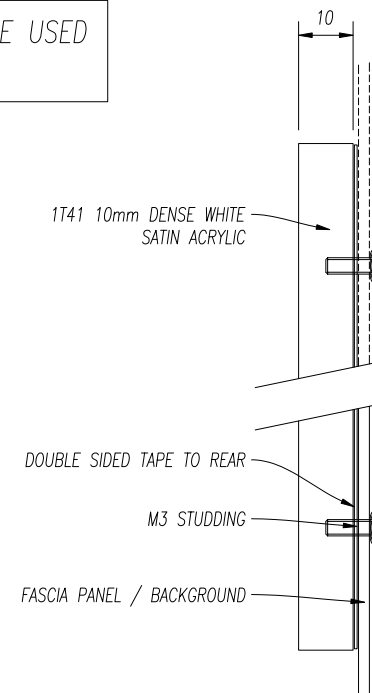


'Building Society'



1. **Internally Illuminated**
2. Illuminated Signage
3. Internally Illuminated Tablet
4. Illuminated Tablet Spec/Sizes
5. 'Building Society' text
6. 'Building Society' Spec/Sizes
7. Internally Illuminated Projecting Sign
8. Illuminated Projecting Sign Spec/Sizes
9. **Non-Illuminated Tablet**
10. Non-Illuminated tablet
11. Non-Illuminated Tablet Spec/Sizes
12. **Heritage**
13. Heritage Flat-Cut Letters
14. Heritage Built-Up Letter
15. Heritage Letters Spec/Sizes
16. Heritage Stacked Layout
17. Heritage Stacked Layout Spec/Sizes
18. Illuminated Heritage Projecting Sign
19. Illuminated Projecting Sign Spec/Sizes
20. Non-Illuminated Heritage Projecting Sign
21. Non-Illuminated Projecting Sign Spec/Sizes
22. **ATM**
23. Illuminated ATM Halo
24. Illuminated ATM
25. Non-Illuminated
26. Halo ATM Tablet
27. Non-Halo Tablet
28. **Tablet & Projecting Sign Principles**

'BUILDING SOCIETY' TEXT TO BE USED FOR ILLUMINATED TABLETS



'BUILDING SOCIETY' TEXT TO BE USED FOR NON ILLUMINATED TABLETS

