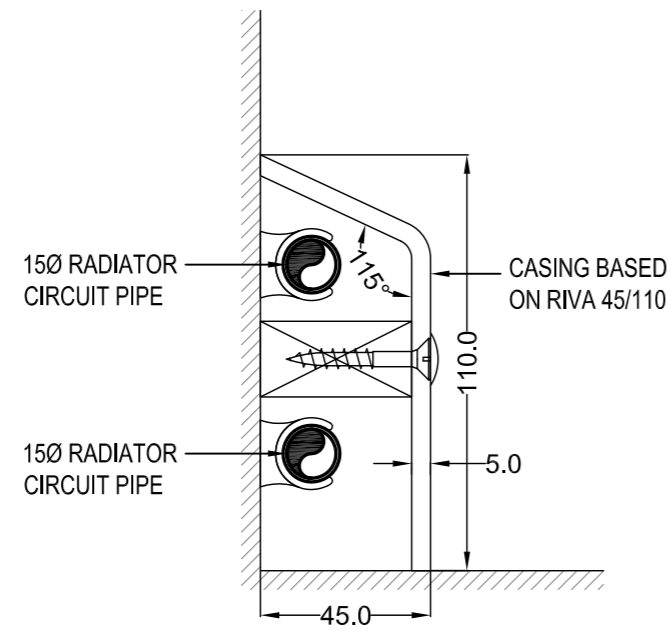
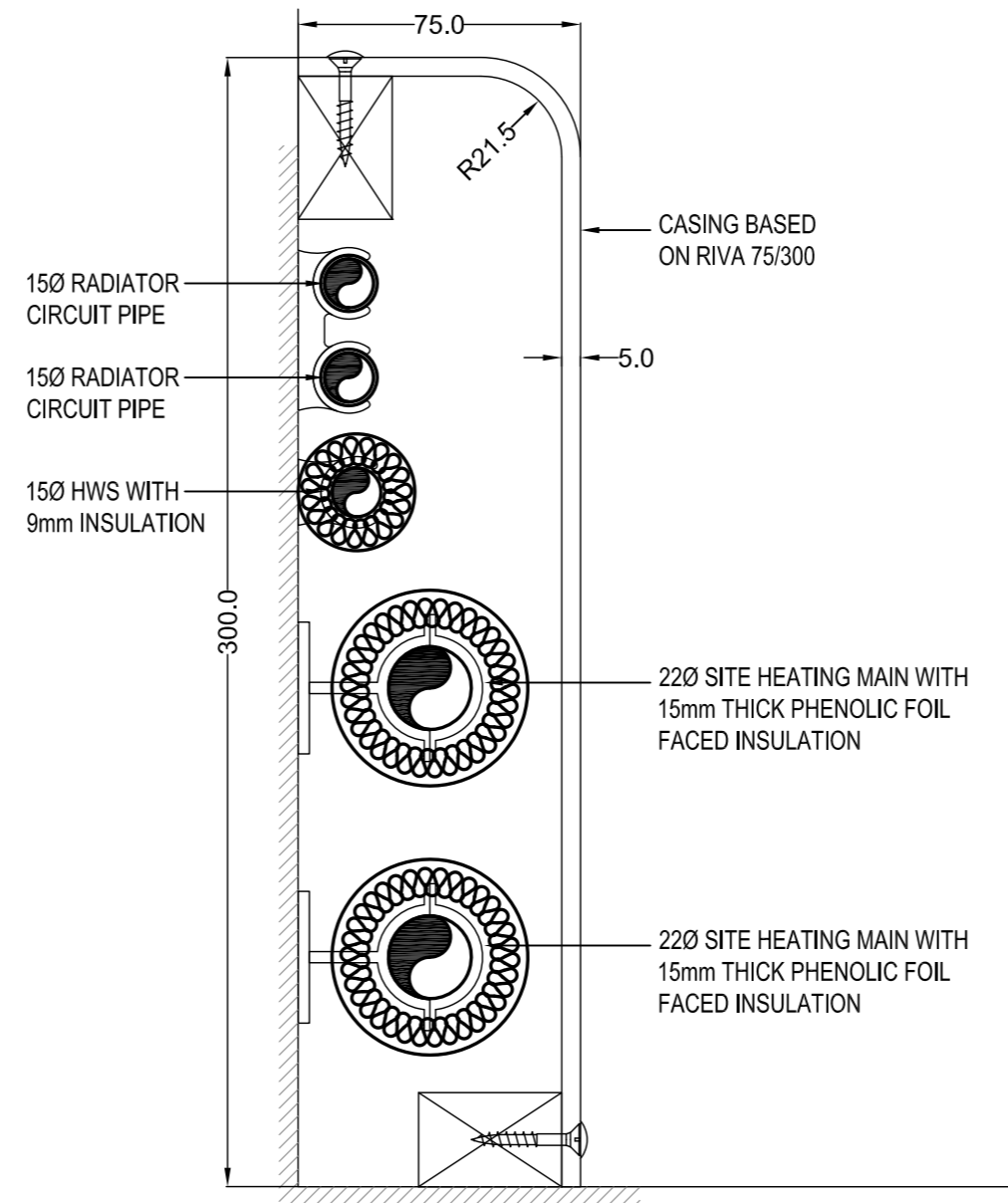


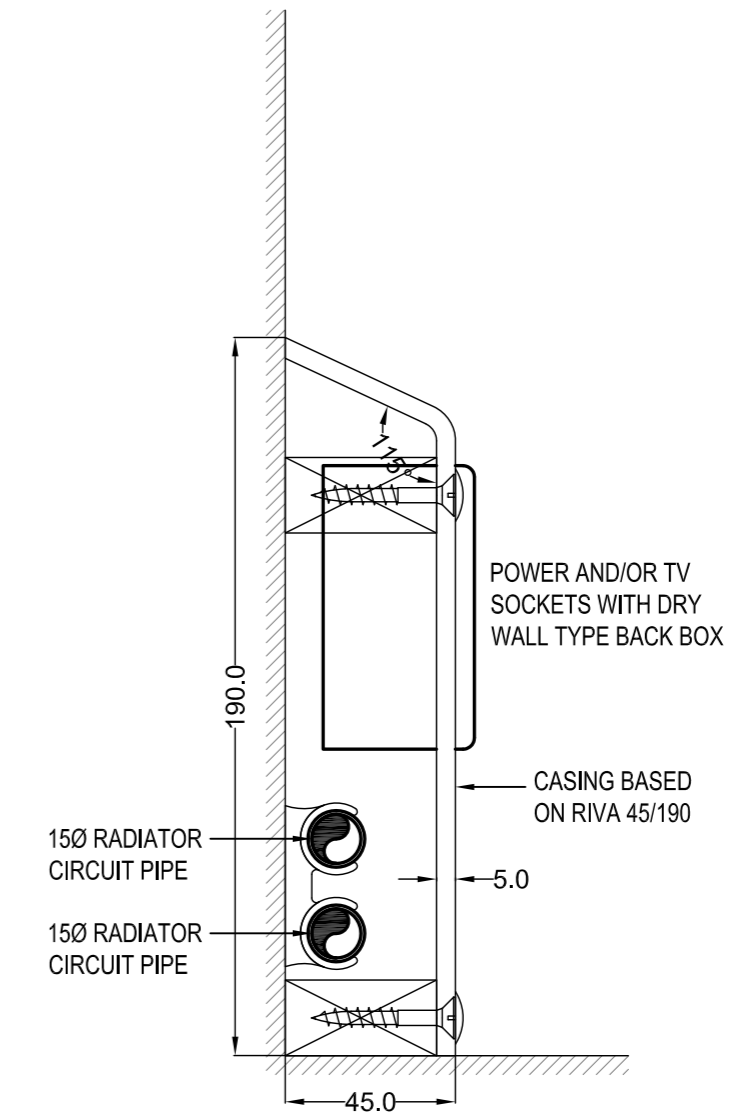
BOXING DETAIL TYPE 1
SCALE 1:2



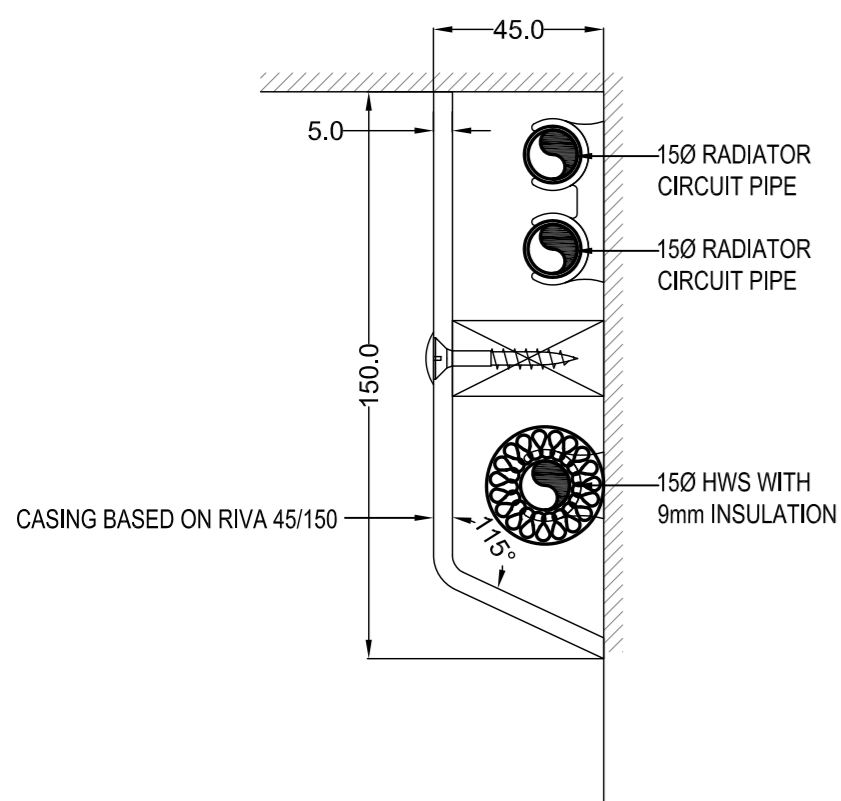
BOXING DETAIL TYPE 2
SCALE 1:2



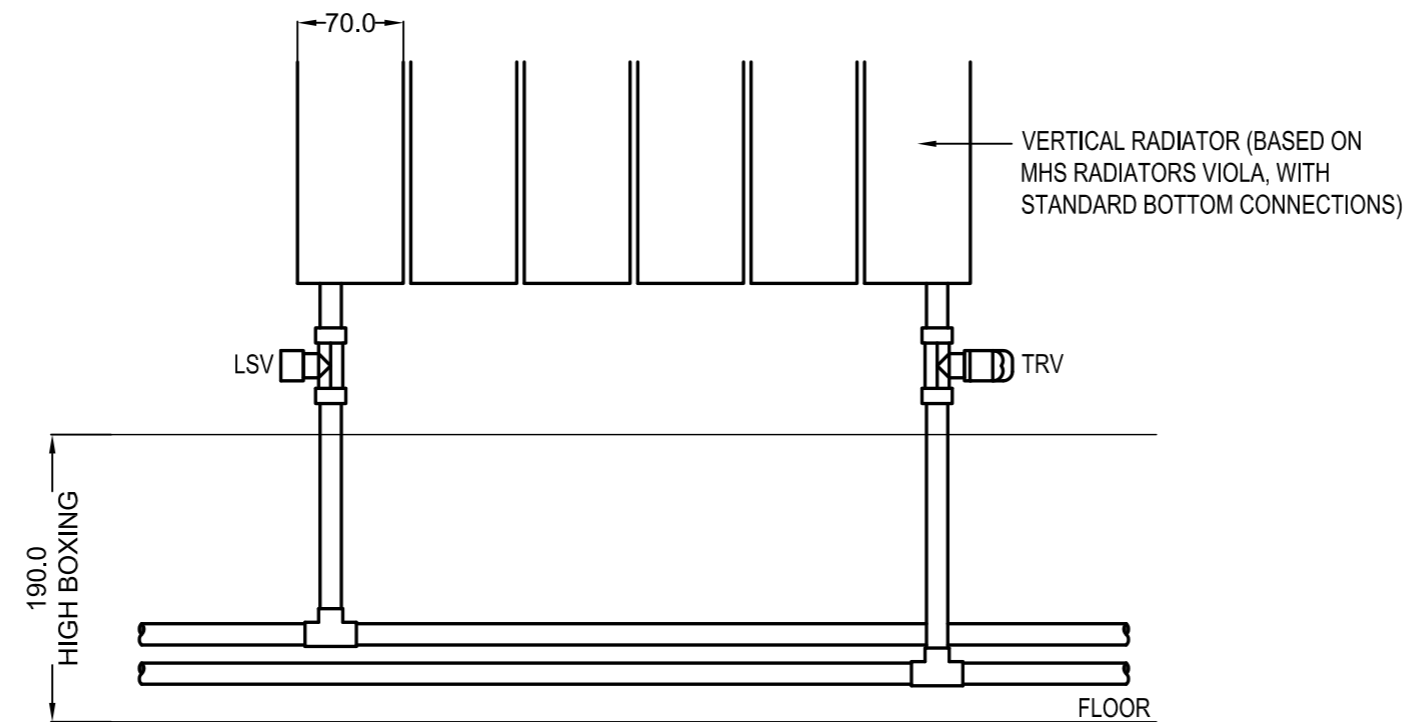
BOXING DETAIL TYPE 3
SCALE 1:2



BOXING DETAIL TYPE 4
SCALE 1:2



BOXING DETAIL TYPE 5
SCALE 1:2



VERTICAL RADIATOR
CONNECTION DETAILS
SCALE 1:5

PLANNING DRAWING



ARGYLE STREET
LONDON
WC1H 8NJ



Mechanical and Electrical Consulting Engineers
1st Floor, 54-62 Station Road East, Oxted, Surrey RH8 0PG
Telephone 01883 717172 Fax 01883 717174
Website www.bya.co.uk Email enquiries@bya.co.uk

Project
ALEXADRA ROAD ESTATE
(ROWLEY WAY)

Drawing Title
MECHANICAL SERVICES
BOXING IN DETAILS &
VERTICAL RADIATOR CONNECTION DETAILS

Scales AS SHOWN	Xref:	Drwg Sheet A2
Drawn NS	Checked JS	Date MAY 18
BYA Ref: 2777	Drawing Number: 2777-RW-M-100	REV:
BYA Cad Ref: 2777-RW-M-100		