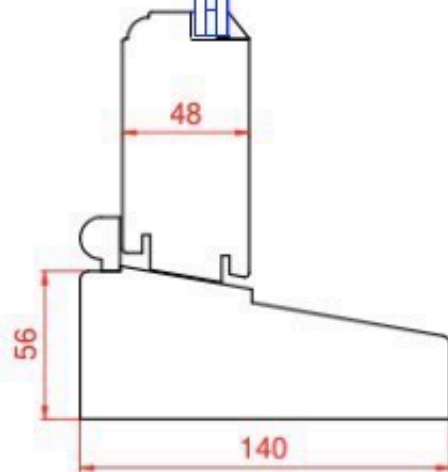
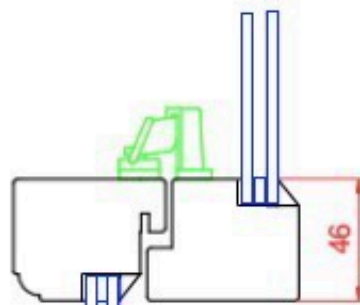
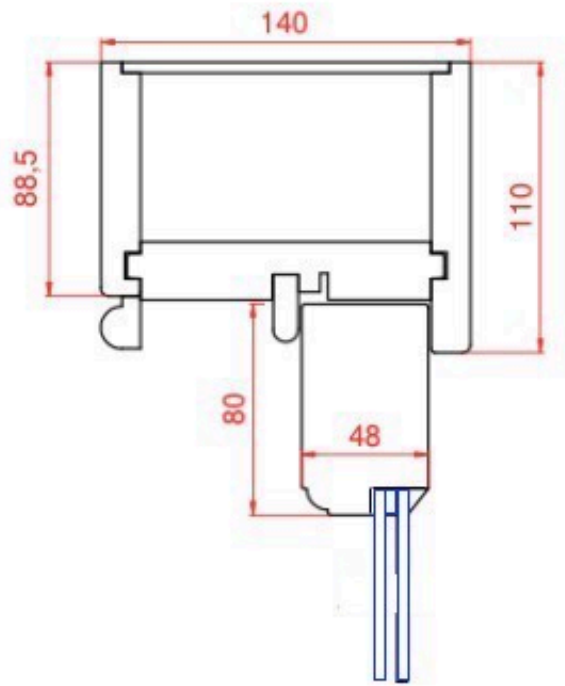


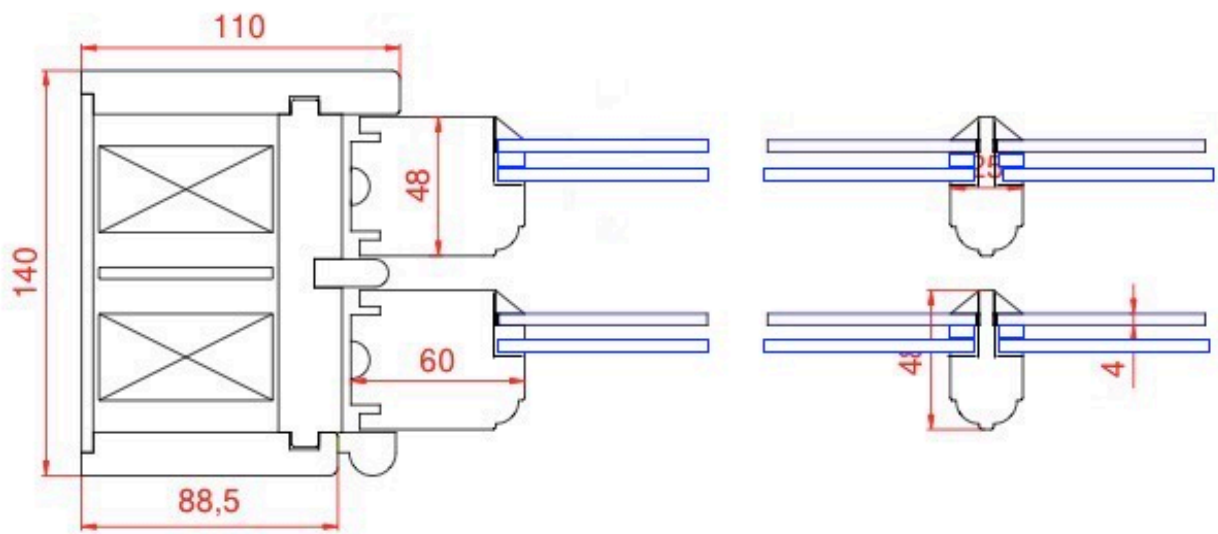
20 South Villas NW1

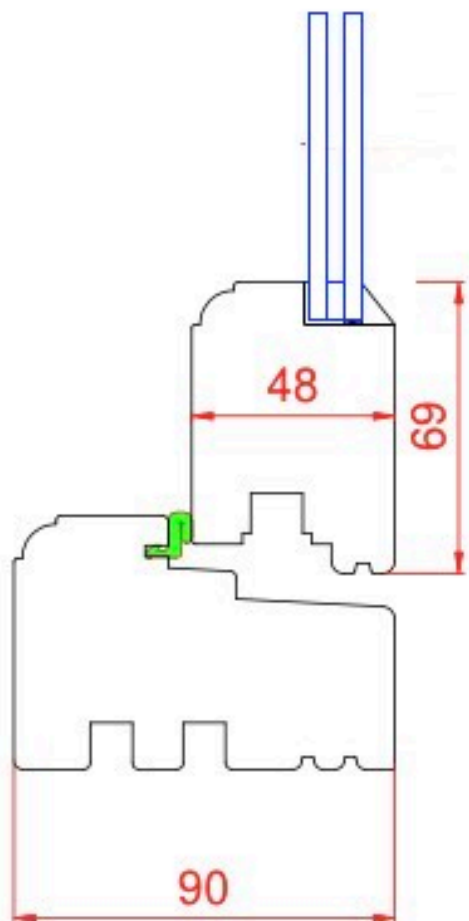
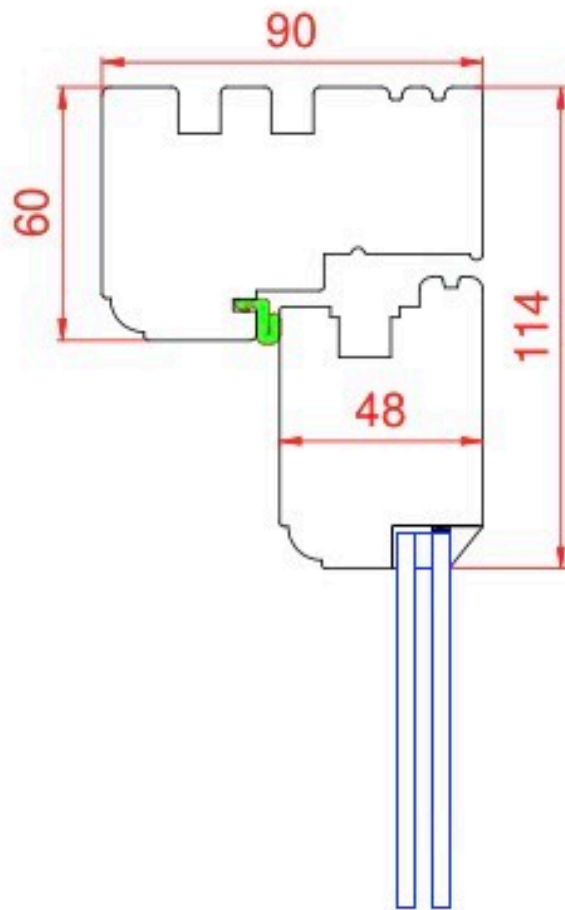
sliding sash



sliding sash with glazing bars

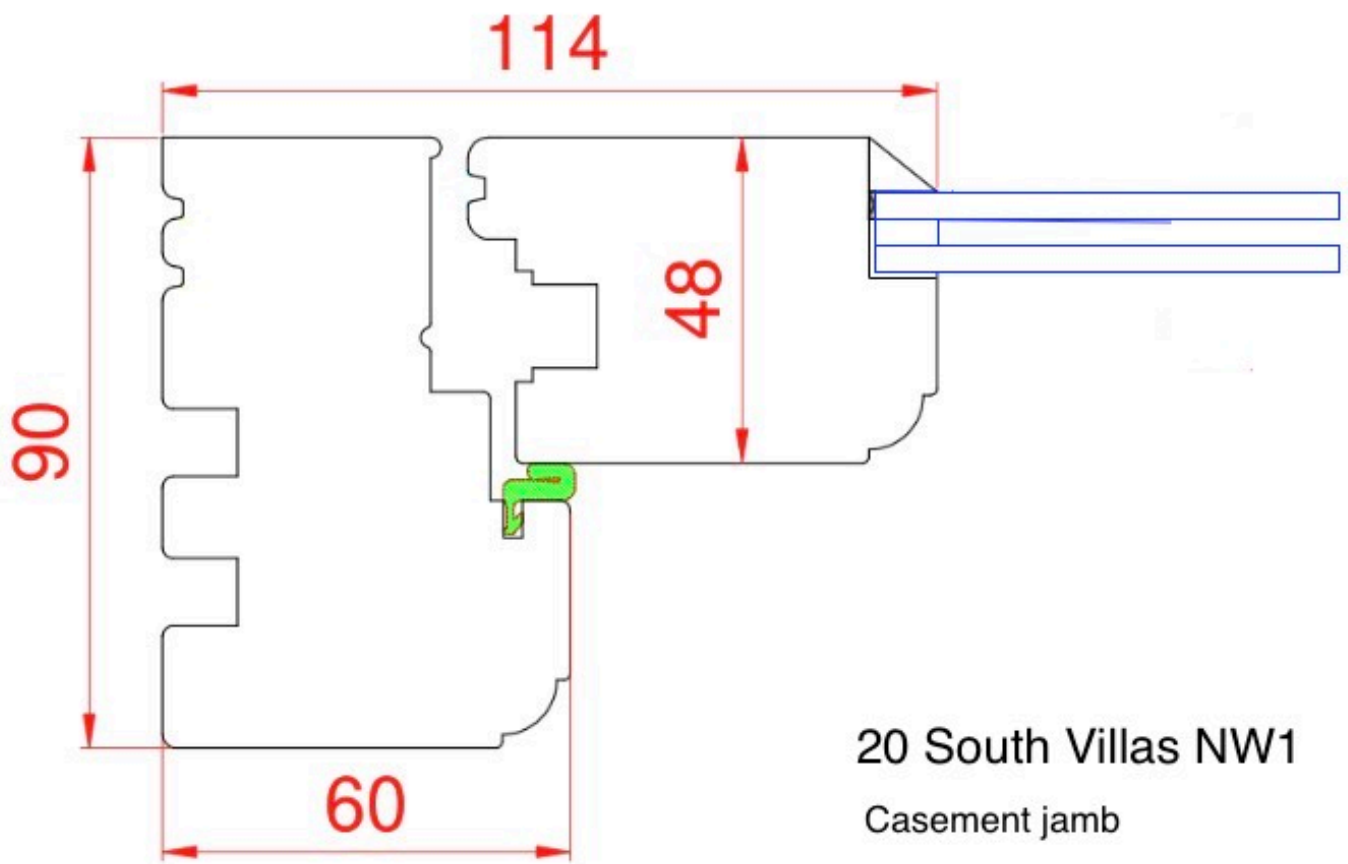
20 South Villas NW1





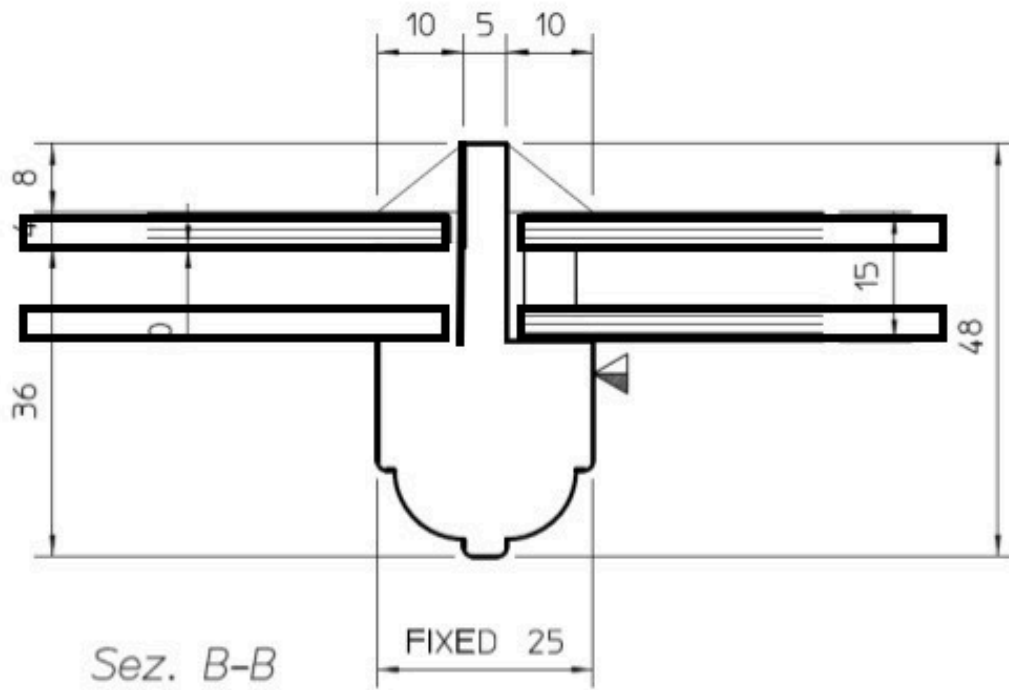
Casement head & jamb

20 South Villas NW1



20 South Villas NW1
Casement jamb

Structural bars 25mm



20 South Villas NW1