

SIGN RISK

SIGN LOCATION

STANDARD	<input checked="" type="checkbox"/>	INTERNAL	<input checked="" type="checkbox"/>
HIGH	<input type="checkbox"/>	EXTERNAL	<input type="checkbox"/>

ALL MEASUREMENTS ARE IN MILLIMETRES UNLESS OTHERWISE STATED.

Drawn by:

N.DENTON

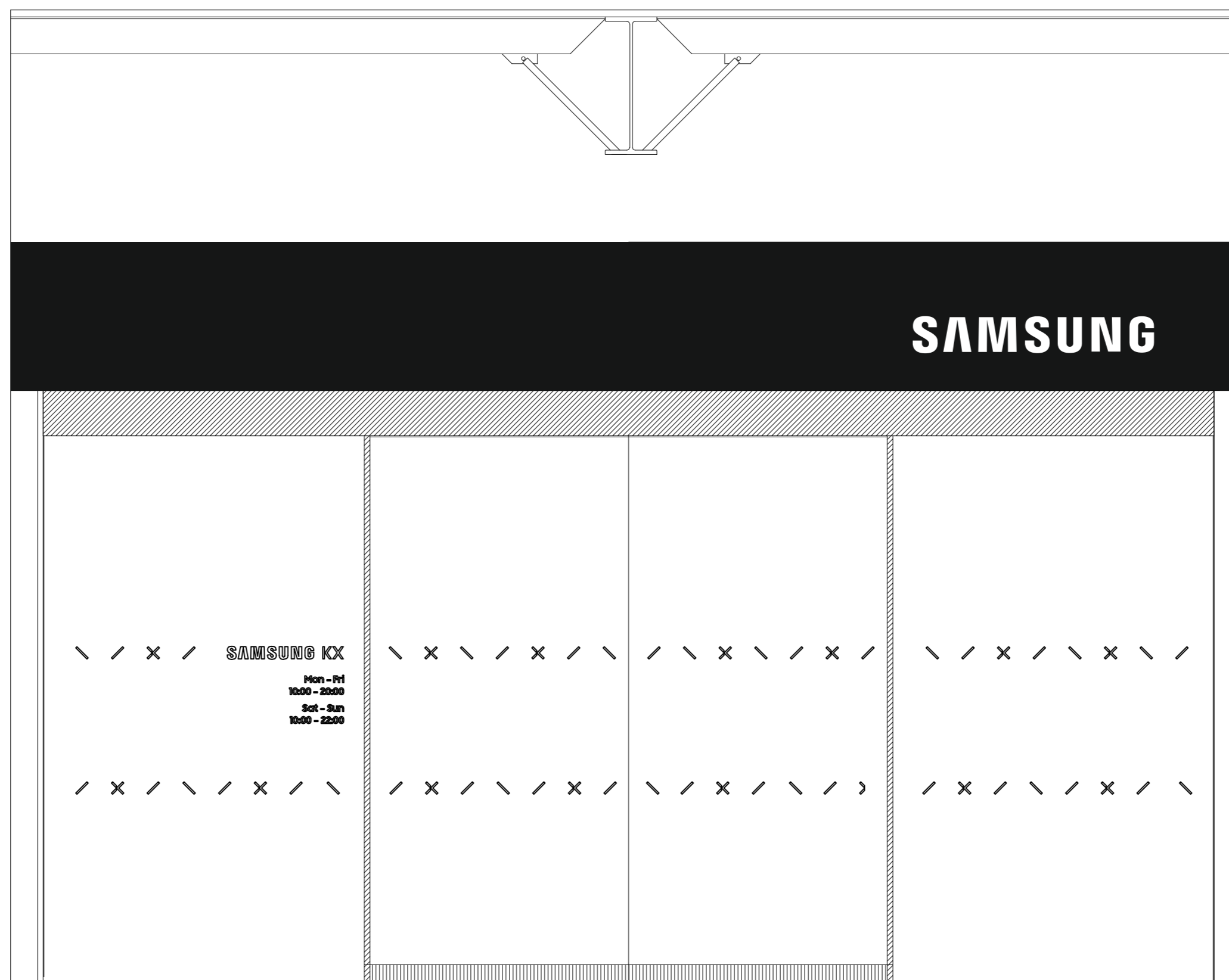
Date:

8:3:2019

Works Order No: 19114(10)

SAMSUNG
COAL DROPS YARD
STORE ENTRANCE
MANIFESTATION VINYL
CORE 4 UPPER LEVEL

REV	DESCRIPTION	SIGNED	DATE	CLIENT
1	LOCATION ADDED TO TITLE BLOCK	N.I.D	20:3:19	
2	UPDATED SCALE	N.I.D	21:3:19	
3	ADDITIONAL DIMS ADDED	N.I.D	26:3:19	
4	FURTHER ADDITIONAL DIMS ADDED	N.I.D	27:3:19	



SIGN RISK		SIGN LOCATION	
STANDARD	<input checked="" type="checkbox"/>	INTERNAL	<input checked="" type="checkbox"/>
HIGH	<input type="checkbox"/>	EXTERNAL	<input type="checkbox"/>

ALL MEASUREMENTS ARE IN MILLIMETRES UNLESS OTHERWISE STATED.

Drawn by:
N.DENTON

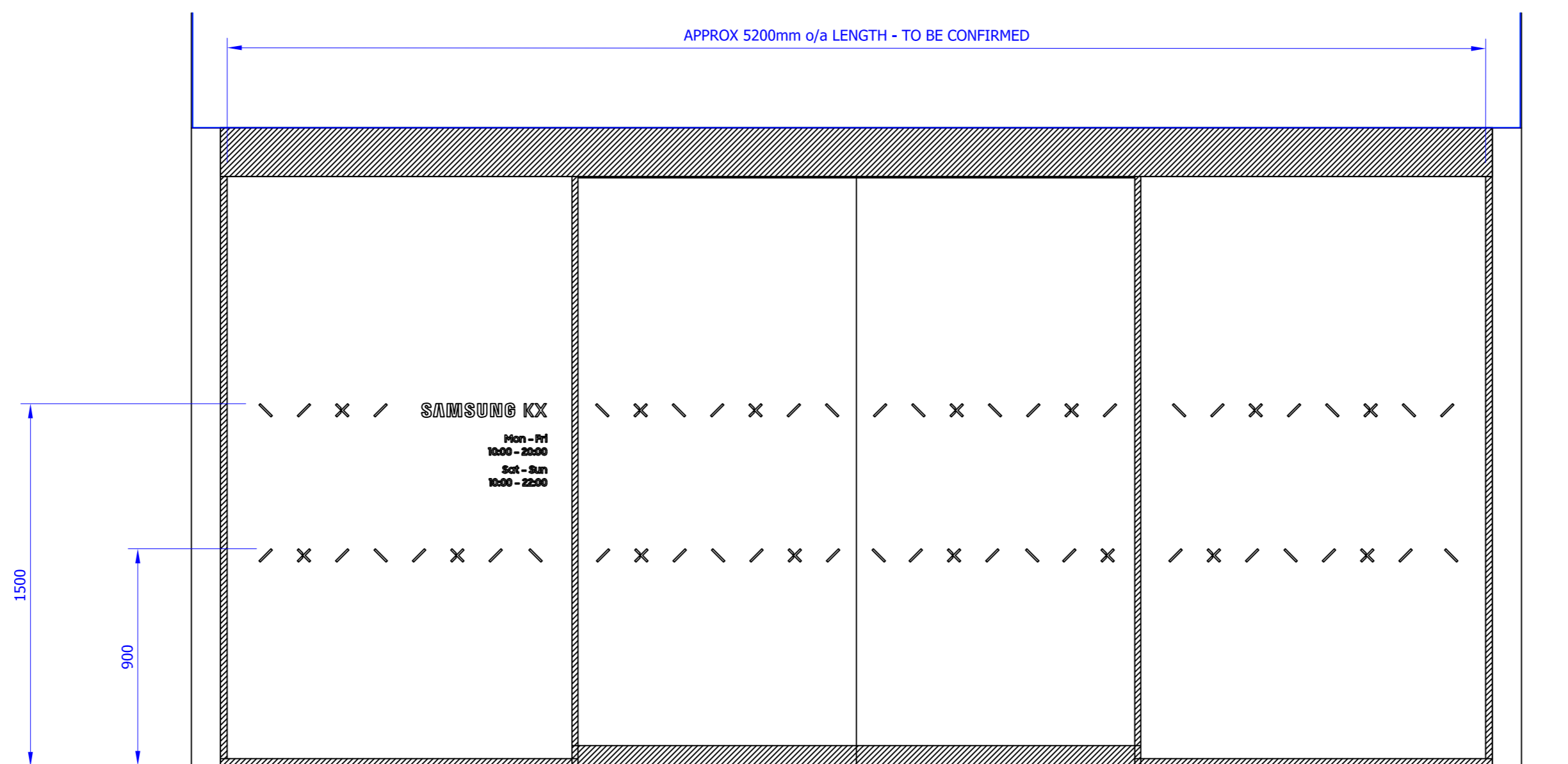
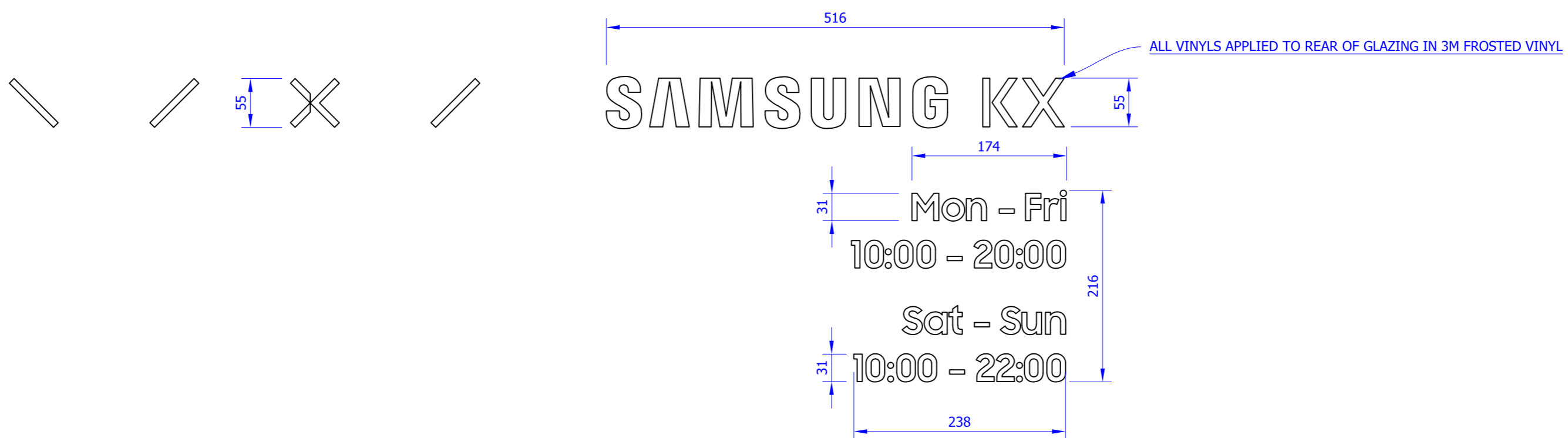
Date:
8:3:2019

Works Order No: 19114(10)

**SAMSUNG
COAL DROPS YARD
STORE ENTRANCE
MANIFESTATION VINYL
CORE 4 UPPER LEVEL**

DRG.No. A2/A214703 REV 4 PAGE 2				
REV	DESCRIPTION	SIGNED	DATE	CLIENT
1	LOCATION ADDED TO TITLE BLOCK	N.I.D	20:3:19	
2	UPDATED SCALE	N.I.D	21:3:19	
3	ADDITIONAL DIMS ADDED	N.I.D	26:3:19	
4	FURTHER ADDITIONAL DIMS ADDED	N.I.D	27:3:19	

1:5 ENLARGED ELEVATION



1:20 SCALE ELEVATION

SIGN RISK	SIGN LOCATION	
STANDARD	INTERNAL	✗
HIGH	EXTERNAL	

ALL MEASUREMENTS ARE IN MILLIMETRES UNLESS OTHERWISE STATED.

Drawn by:
N.DENTON

Date:
7:3:2019

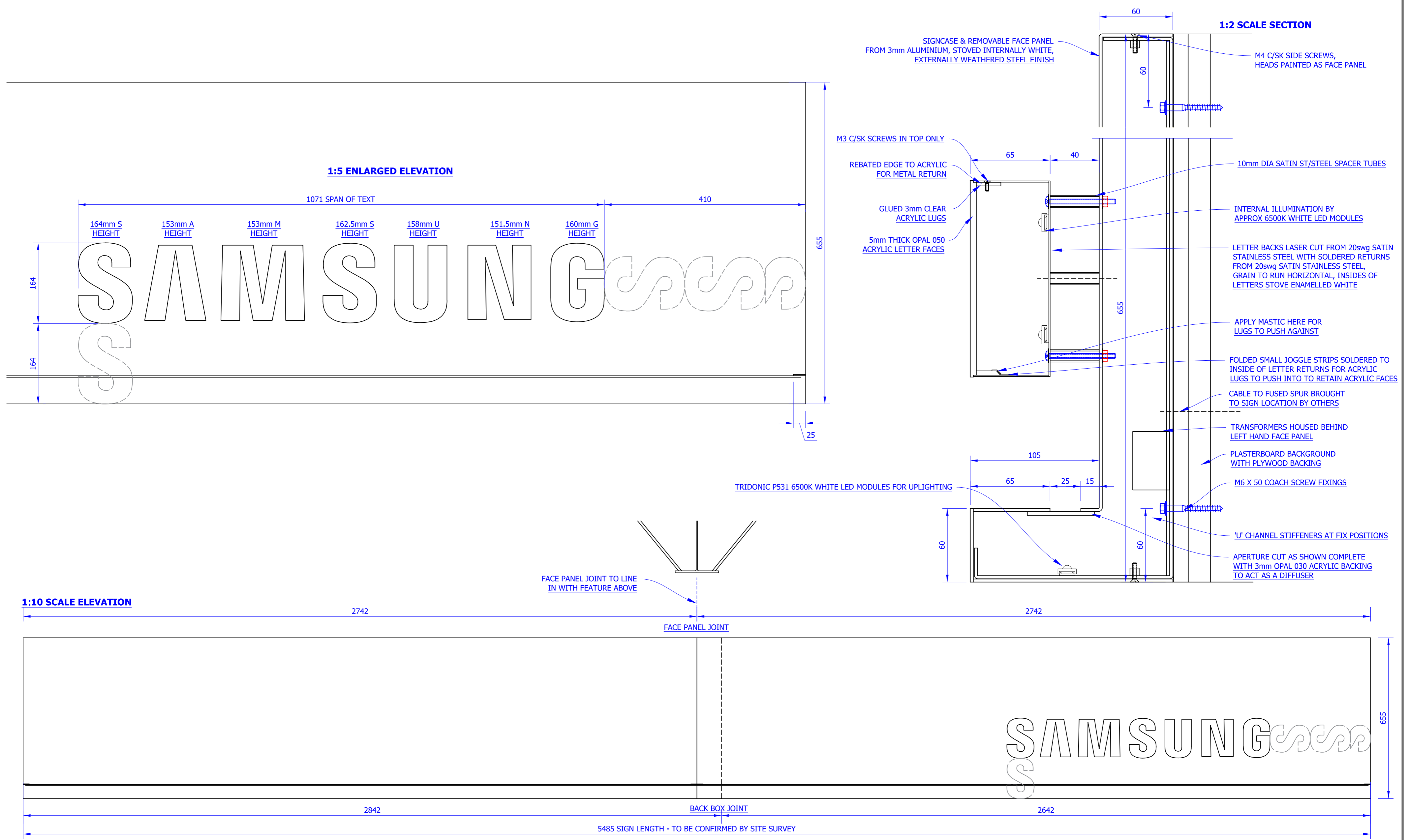
Works Order No: 19114(4)

SAMSUNG
COAL DROPS YARD

STORE ENTRANCE SIGN
CORE 4 UPPER LEVEL

DRG.No. **A2/A214687** REV 3 PAGE 3

REV	DESCRIPTION	SIGNED	DATE	CLIENT
1	DIMS ADDED, UPLIGHT AMENDED	N.I.D	8:3:19	
2	NOTES REVISED, DETAIL ADDED	N.I.D	15:3:19	
3	FIXING DETAIL/SPEC AMENDED	N.I.D	26:3:19	



SIGN RISK

SIGN LOCATION

STANDARD	✗	INTERNAL	✗
HIGH		EXTERNAL	

ALL MEASUREMENTS ARE IN MILLIMETRES UNLESS OTHERWISE STATED.

Drawn by:

N.DENTON

Date:

8:3:2019

Works Order No: 19114(10)

SAMSUNG
COAL DROPS YARD
STORE ENTRANCE
MANIFESTATION VINYL
CORE 4 UPPER LEVEL

DRG.No. **A2/A214703 REV 4** PAGE 4

REV	DESCRIPTION	SIGNED	DATE	CLIENT
1	LOCATION ADDED TO TITLE BLOCK	N.I.D	20:3:19	
2	UPDATED SCALE	N.I.D	21:3:19	
3	ADDITIONAL DIMS ADDED	N.I.D	26:3:19	
4	FURTHER ADDITIONAL DIMS ADDED	N.I.D	27:3:19	

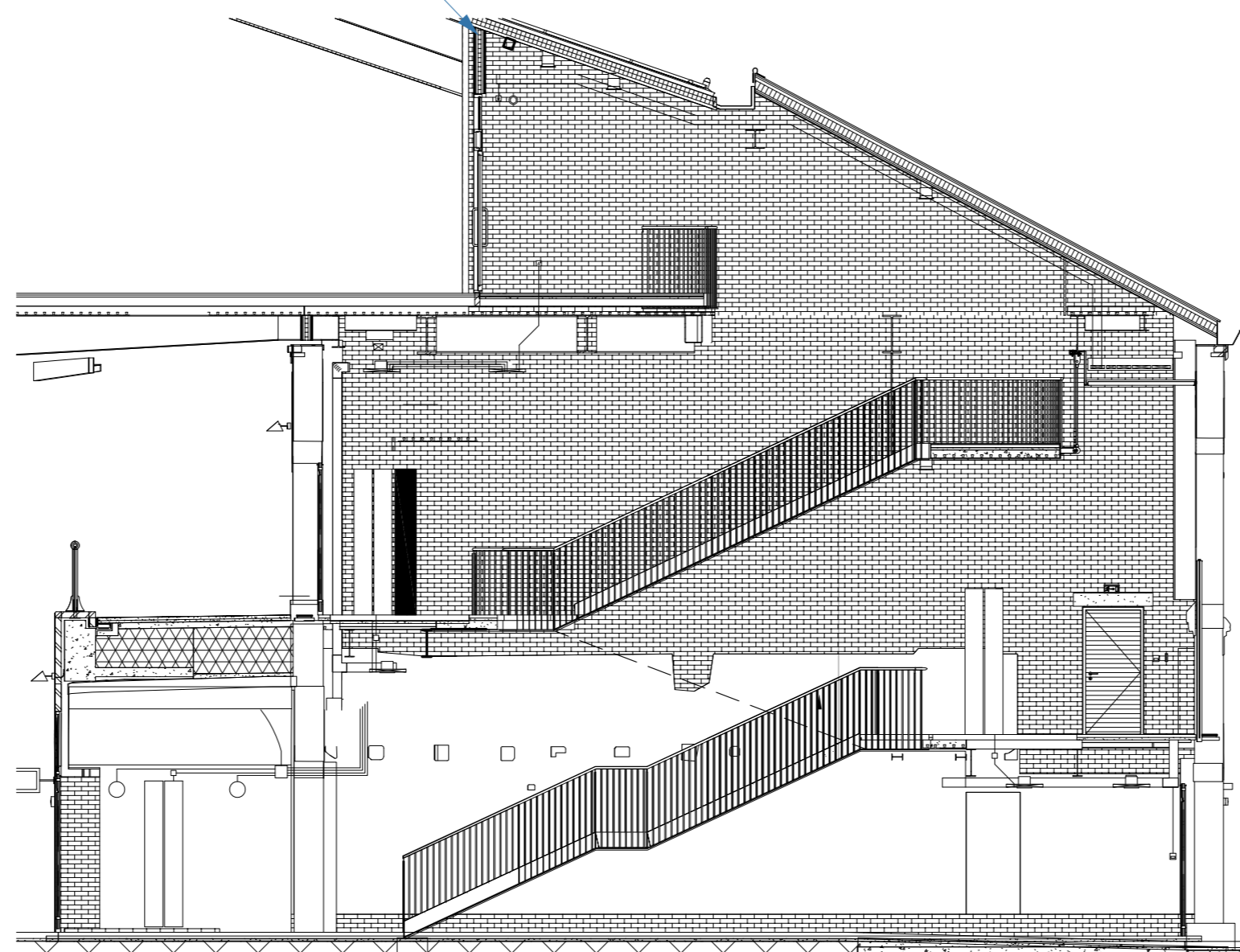
Scales used

1:100@A2

Quantity:

1 SET

Entrance sign location fitted to landlords plasterboard bulkhead with plywood backing



INTERNAL ELEVATION - CORE 4

SIGN RISK

SIGN LOCATION

STANDARD	✗	INTERNAL	✗
HIGH		EXTERNAL	

ALL MEASUREMENTS ARE IN MILLIMETRES UNLESS OTHERWISE STATED.

Drawn by:

N.DENTON

Date:

7:3:2019

Works Order No: 19114(3)

SAMSUNG
COAL DROPS YARD
VIADUCT LEVEL

Quantity:

2

PROJECTING SIGNS VISUAL

REV	DESCRIPTION	SIGNED	DATE	CLIENT
1	REVISED BRACKET, TEXT PX	N.I.D	15:3:19	
2	UPDATED SCALE	N.I.D	20:3:19	
3	FIXING DETAIL UPDATED	N.I.D	27:3:19	
4	FIXING & CONSTRUCTION UPDATED	N.I.D	27:3:19	

PROJECTING SIGN 1

PROJECTING SIGN 2



SIGN RISK	SIGN LOCATION		
STANDARD	✗	INTERNAL	✗
HIGH		EXTERNAL	

ALL MEASUREMENTS ARE IN MILLIMETRES UNLESS OTHERWISE STATED.

Drawn by:
N.DENTON

Date:
7:3:2019

Works Order No: 19114(3)

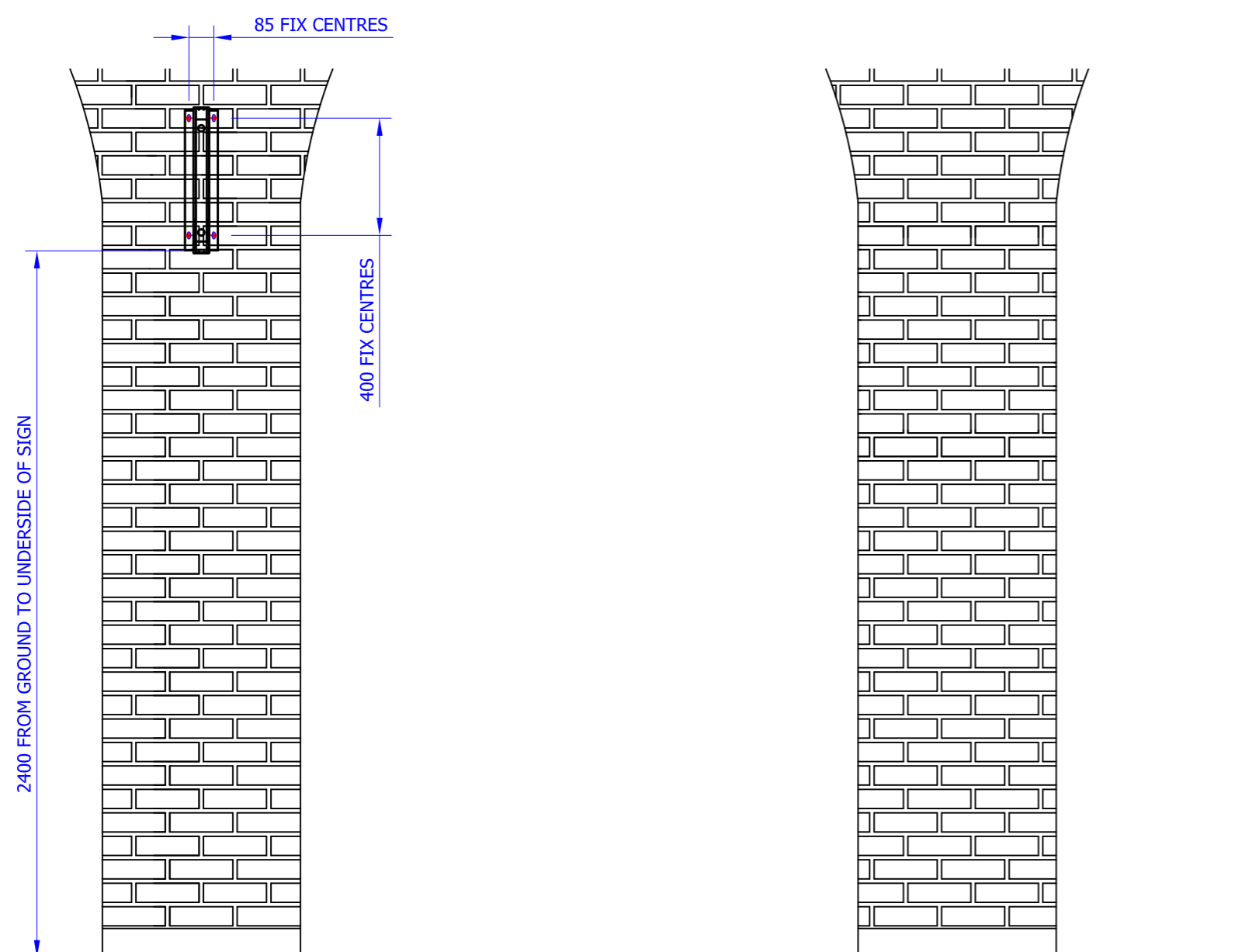
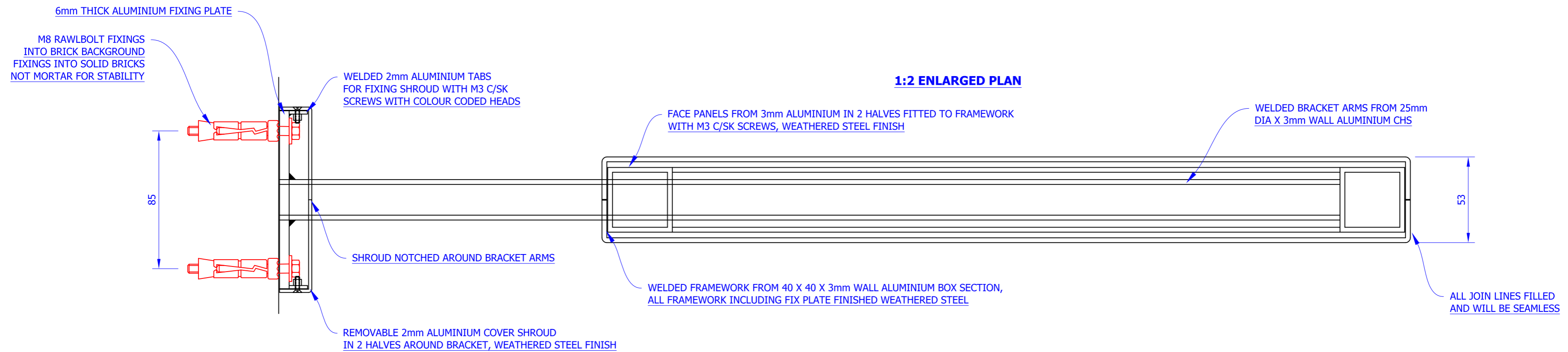
SAMSUNG
COAL DROPS YARD
VIADUCT LEVEL
PROJECTING SIGN 1

DRG.No. A2/A214701 REV 4 PAGE 2				
REV	DESCRIPTION	SIGNED	DATE	CLIENT
1	REVISED BRACKET, TEXT PX	N.I.D	15:3:19	
2	UPDATED SCALE	N.I.D	20:3:19	
3	FIXING DETAIL UPDATED	N.I.D	27:3:19	
4	FIXING & CONSTRUCTION UPDATED	N.I.D	27:3:19	

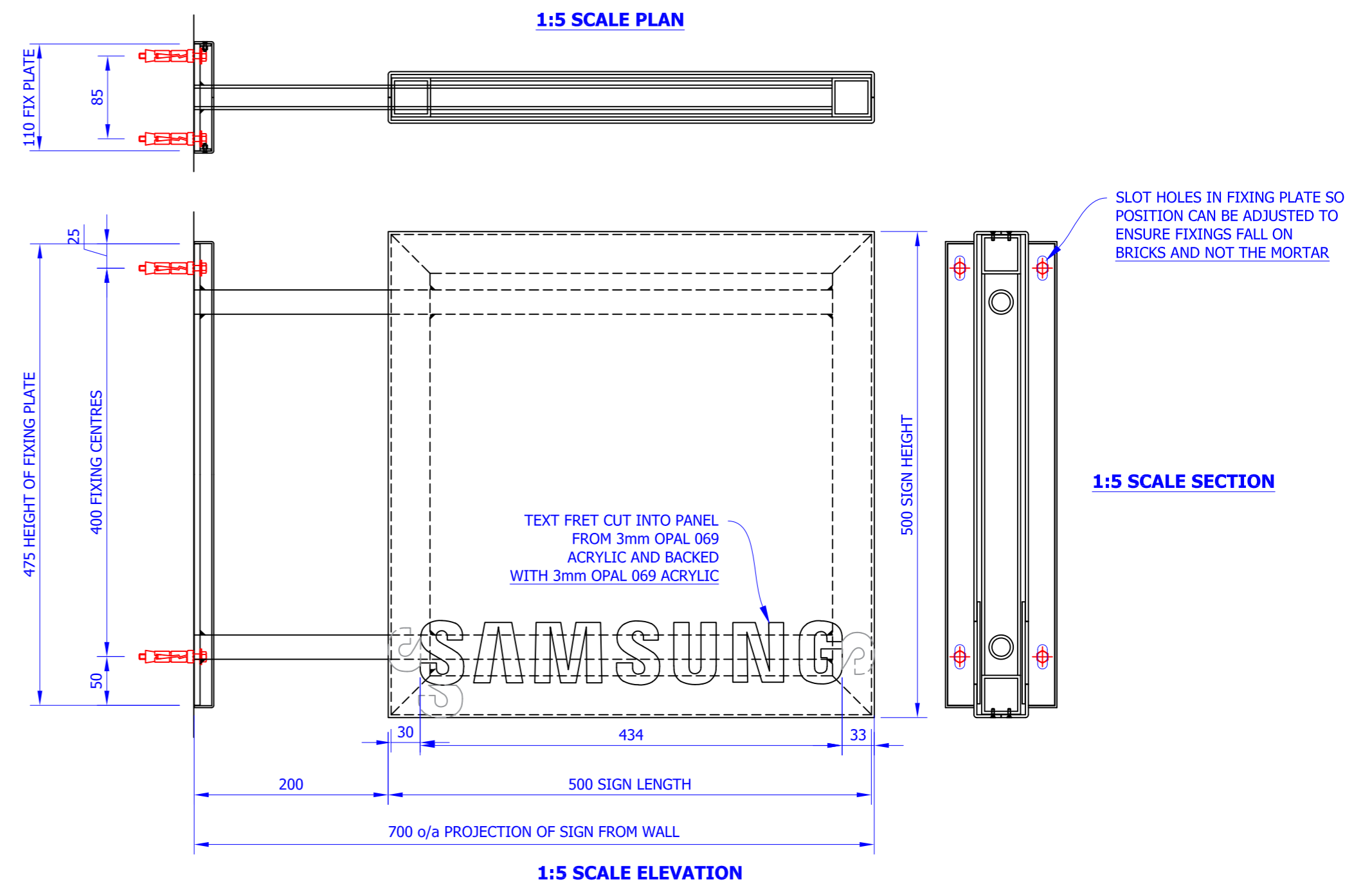
Scales used
1:20, 1:5, 1:2 @ A2

Quantity:

1 SIGN



1:20 SCALE LOCATION



1:5 SCALE PLAN

1:5 SCALE SECTION

SIGN RISK	SIGN LOCATION		
STANDARD	✗	INTERNAL	✗
HIGH		EXTERNAL	

ALL MEASUREMENTS ARE IN MILLIMETRES UNLESS OTHERWISE STATED.

Scales used
1:20, 1:5, 1:2 @ A2

Drawn by:
N.DENTON

Quantity:

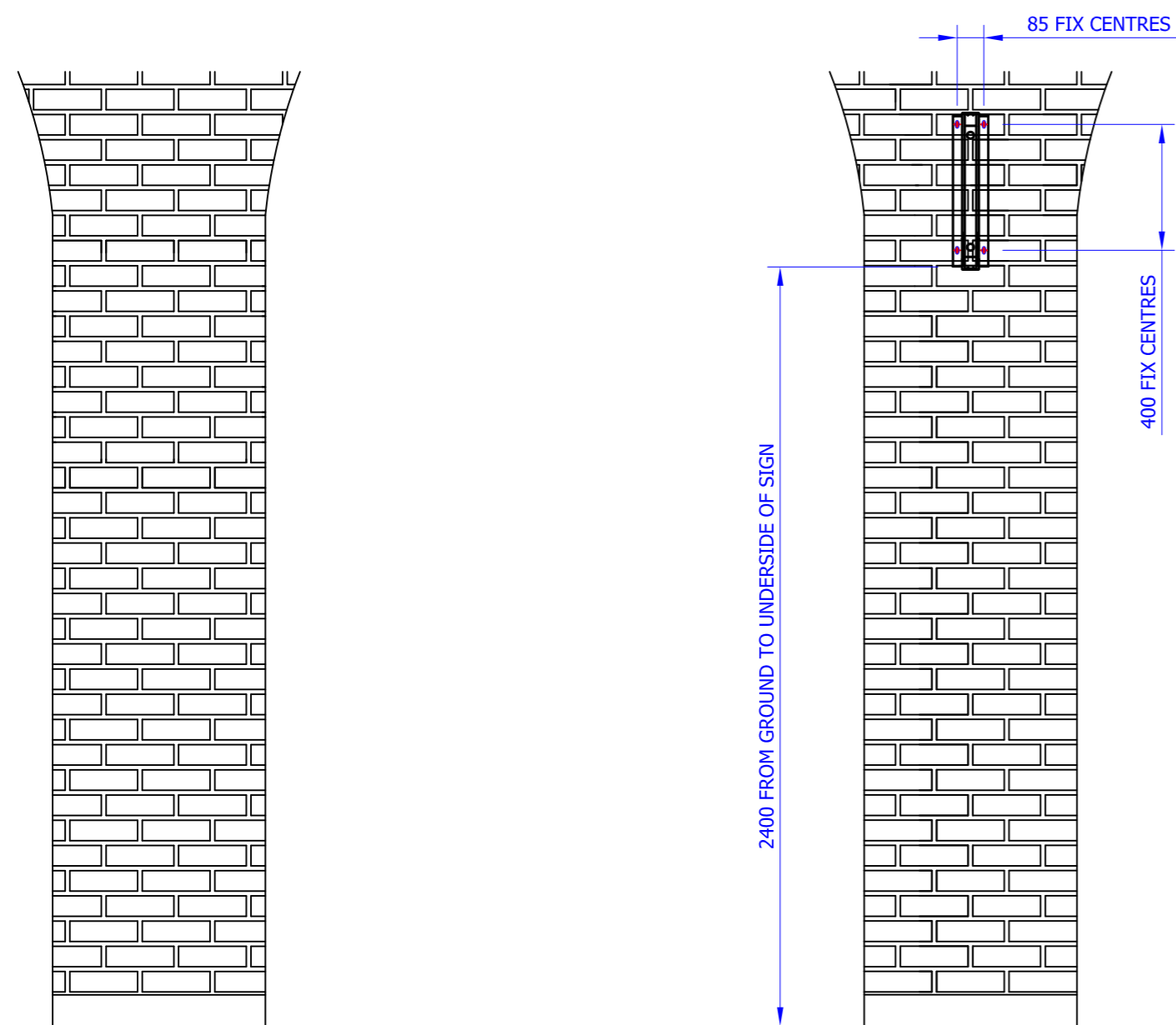
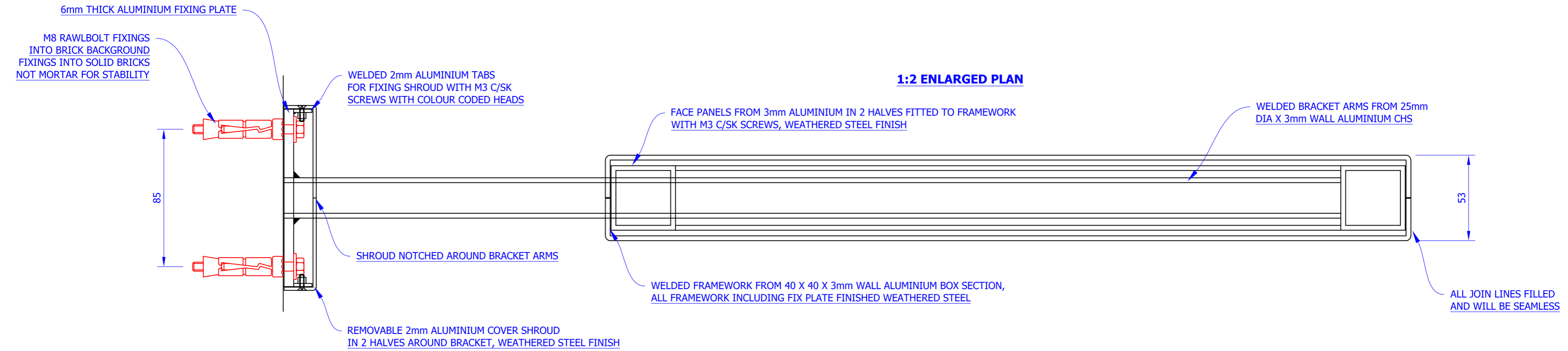
Date:
7:3:2019

1 SIGN

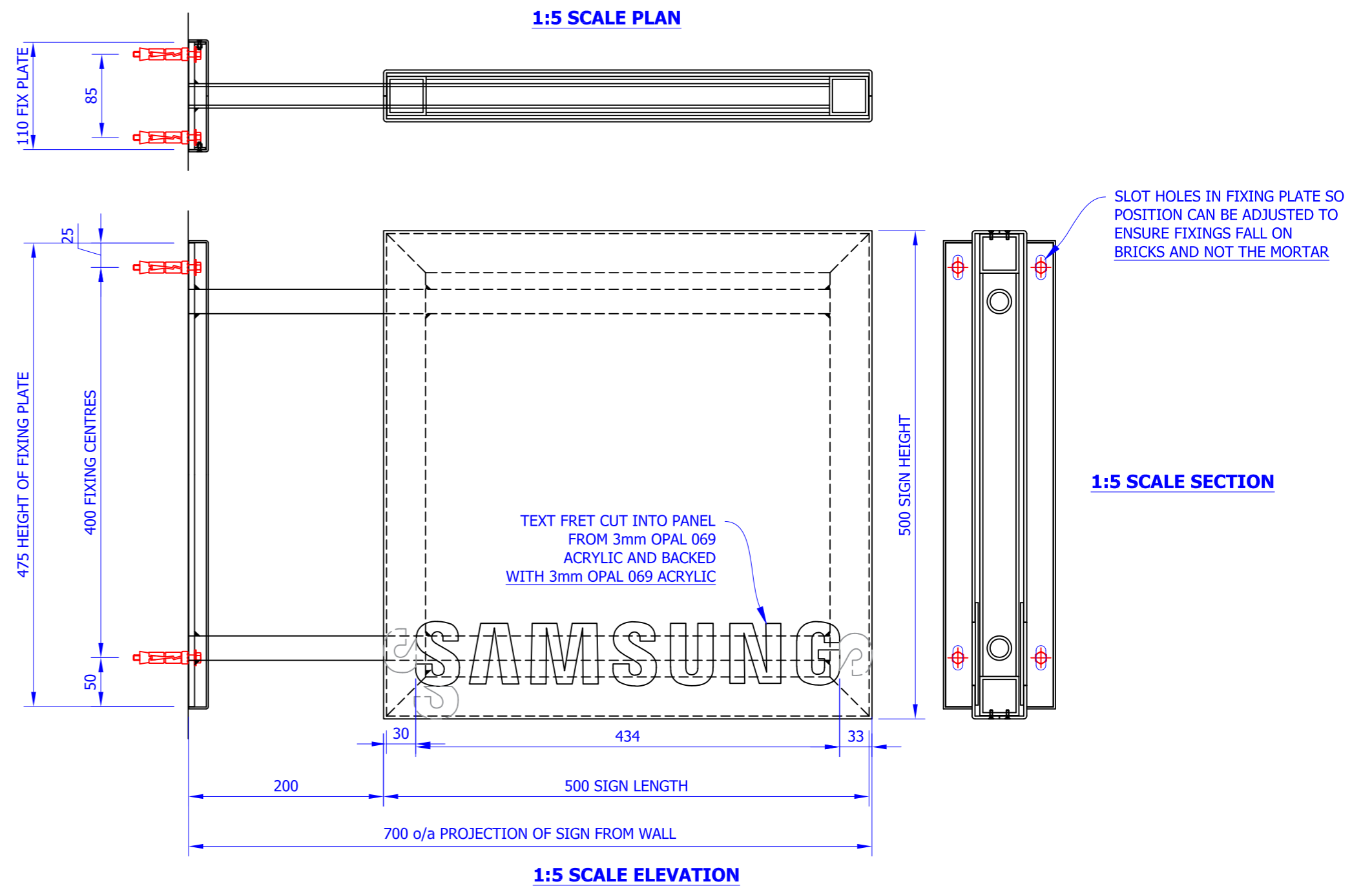
Works Order No: 19114(3)

SAMSUNG
COAL DROPS YARD
VIADUCT LEVEL
PROJECTING SIGN 2

REV	DESCRIPTION	SIGNED	DATE	CLIENT
1	REVISED BRACKET, TEXT PX	N.I.D	15:3:19	
2	UPDATED SCALE	N.I.D	20:3:19	
3	FIXING DETAIL UPDATED	N.I.D	27:3:19	
4	FIXING & CONSTRUCTION UPDATED	N.I.D	27:3:19	



1:20 SCALE LOCATION



1:5 SCALE ELEVATION

SIGN RISK

SIGN LOCATION

STANDARD	✗	INTERNAL	✗
HIGH		EXTERNAL	

ALL MEASUREMENTS ARE IN MILLIMETRES UNLESS OTHERWISE STATED.

Drawn by:

N.DENTON

Date:

7:3:2019

Works Order No: 19114(3)

SAMSUNG
COAL DROPS YARD
VIADUCT LEVEL

PROJECTING SIGNS LOCATION

DRG.No. **A2/A214701 REV 4** PAGE 4

REV	DESCRIPTION	SIGNED	DATE	CLIENT
1	REVISED BRACKET, TEXT PX	N.I.D	15:3:19	
2	UPDATED SCALE	N.I.D	20:3:19	
3	FIXING DETAIL UPDATED	N.I.D	27:3:19	
4	FIXING & CONSTRUCTION UPDATED	N.I.D	27:3:19	

Scales used

1:50 @ A3

Quantity:

2

PROJECTING SIGN 1

PROJECTING SIGN 2

