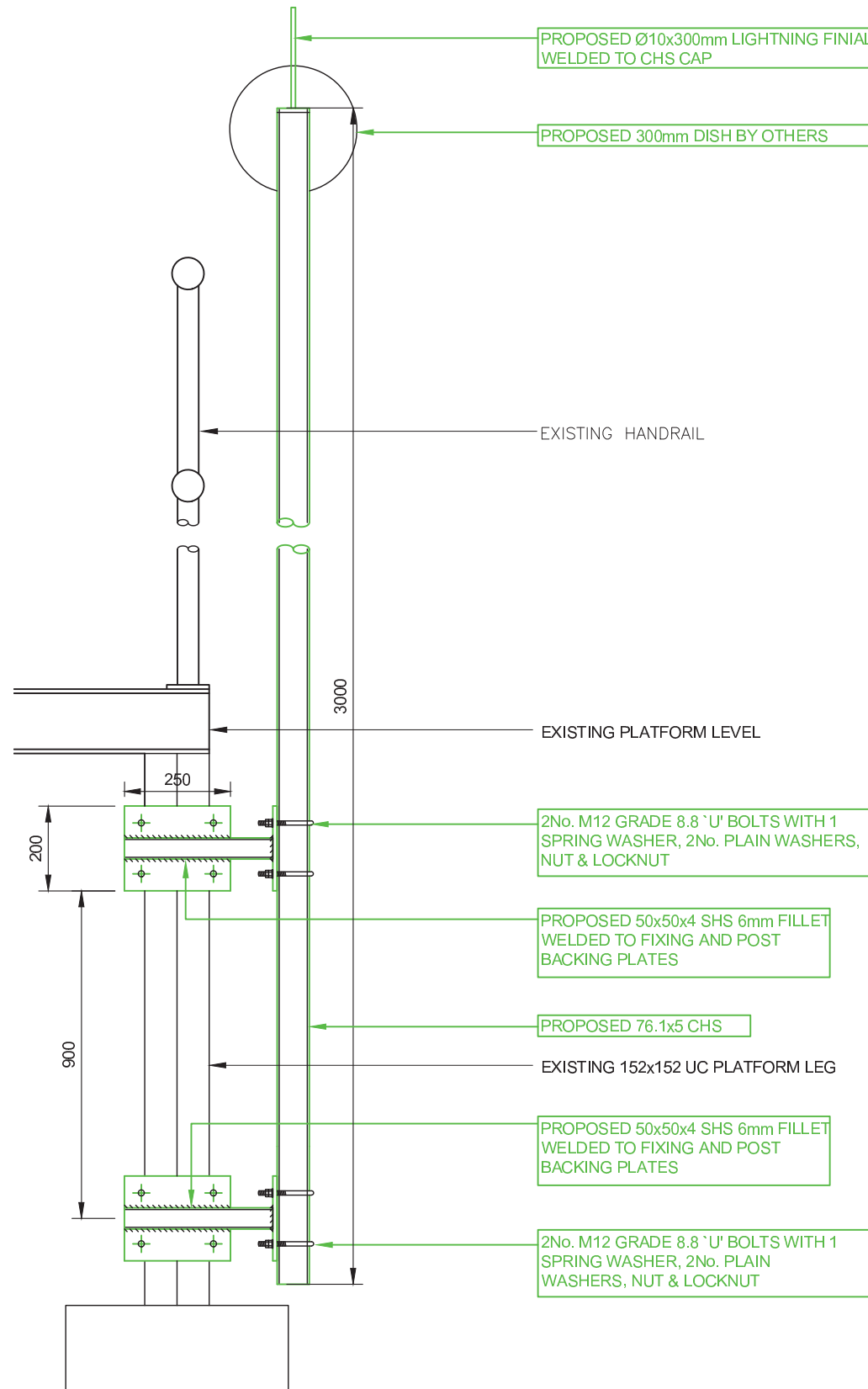
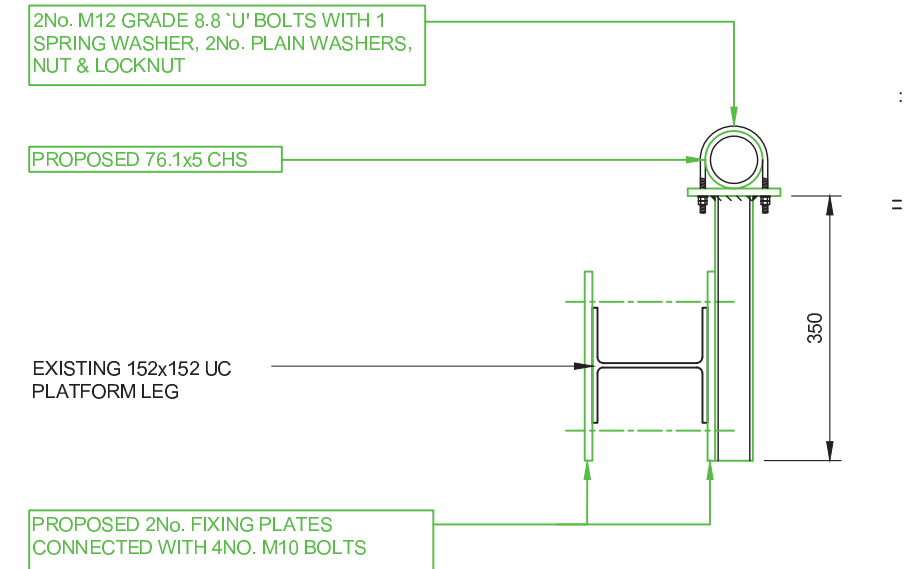
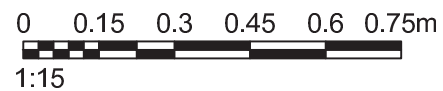


**NOTES:**

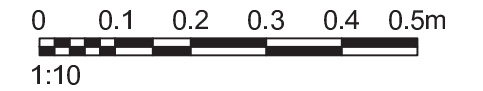
1. ALL DIMENSIONS IN MM UNLESS OTHERWISE NOTED.
2. THIS DRAWING TO BE READ IN CONJUNCTION WITH:  
CAM(TBC) - 100 / 109



**ELEVATION ON DISH POST DETAIL**  
(SCALE: 1:15)



**PLAN ON DISH POST DETAIL**  
(SCALE: 1:10)



**waldon**  
WALDON TELECOM  
PHOENIX HOUSE  
PYRFORD ROAD  
WEST BYFLEET  
SURREY  
KT14 6RA  
TEL : 01932 411011  
FAX : 01932 411012

ISS.	CAM(TBC)	ISSUED FOR CONSTRUCTION	ST	07/02/2019	FD	07/02/2019
ISS.	JOB No.	DESCRIPTION	Rev'd	Date	App'd	Date
DRAWN	ST	CHECKED	FD	APPROVED	FD	
DATE	07/02/2019	DATE	07/02/2019	DATE	07/02/2019	
SCALE:			<b>As Shown</b>			

SITE No.	CAM(TBC)	SITE NAME	GRANARY SQUARE
TITLE	PROPOSED ANTENNA AND EQUIPMENT LAYOUT		
ADDRESS	GRANARY BUILDING 1 GRANARY SQUARE, KINGS ROAD LONDON		
POST CODE	N1C 4AA	DRAWING No.	CAM(TBC)-106
PURPOSE OF ISSUE	CONSTRUCTION	ISSUE	A

